



USER'S MANUAL

LC-1011C

LC-100+ COLOUR

DOT MATRIX PRINTER

Federal Communications Commission Radio Frequency Interference Statement

The 120V version equipment has been tested and found to comply with the limits for a Class B digital device, pursuant to Part 15 of FCC Rules. These limits are designed to provide reasonable protection against harmful interference in a residential installation. This equipment generates, uses and can radiate radio frequency energy and, if not installed and used in accordance with the instructions, may cause harmful interference to radio communications. However, there is no guarantee that interference will not occur in a particular installation. If this equipment does cause harmful interference to radio or television, which can be determined by turning off and on, the user is encouraged to try to correct the interference by one or more of the following measures.

- Reorient or relocate the receiving antenna.
- Increase the separation between the equipment and receiver.
- Connect the equipment into an outlet on a circuit different from that to which the receiver is connected.
- Consult the dealer or an experienced radio/TV technician for help.

Unauthorized modifications of this product by the user will void his authority to operate the equipment unless expressly approved by the party responsible for compliance.

For compliance with the Federal Noise Interference Standard, this equipment requires a shielded cable.

The 220V version equipment has been tested and found to comply with the limits for a Class A digital device, pursuant to Part 15 of the FCC Rules. These limits are designed to provide reasonable protection against harmful interference when the equipment is operated in a commercial environment. This equipment generates, uses, and can radiate radio frequency energy and, if not installed and used in accordance with the instruction manual, may cause harmful interference to radio communications.

Operation of this equipment in a residential area is likely to cause harmful interference in which case the user will be required to correct the interference at his own expense.

For compliance with the Federal Noise Interference Standard, this equipment requires a shielded cable.

The above statement applies only to printers marketed in the U.S.A.

Statement of The Canadian Department of Communications Radio Interference Regulations

This digital apparatus does not exceed the Class B limits for radio noise emissions from digital apparatus set out in the Radio Interference Regulations of the Canadian Department of Communications.

Le présent appareil numérique n'émet pas de bruits radioélectriques dépassant les limites applicables aux appareils numériques de la classe B prescrites dans le Règlement sur le brouillage radioélectrique édicté par le Ministère des Communications du Canada.

The above statement applies only to printers marketed in Canada.

CE Manufacturer's Declaration of Conformity

EC Council Directive 89/336/EEC of 3 May 1989

This product, has been designed and manufactured in accordance with the International Standards EN 50081-1/01.92 and EN 50082-1/01.92, following the provisions of the Electro Magnetic Compatibility Directive of the European Communities as of May 1989.

EC Council Directive 73/23/EEC and 93/68/EEC of 22 July 1993

This product, has been designed and manufactured in accordance with the International Standards EN 60950, following the provisions of the Low Voltage Directive of the European Communities as of July 1993.

The above statement applies only to printers marketed in EU.

Ambient Noise Statement

Machine Noise Information Ordinance 3. GSGV, January 18, 1991: The sound pressure level at the operator position is equal or less than 70 dB(A) according to ISO 7779.

The above statement applies only to printers marketed in EU.

Trademark acknowledgments

LC-10, LC-100, LC-100+, LC-200, LC-1011C, NX-1000, NX-1020, NX-1040, PT-10DT, SPC-8K:
Star Micronics Co. Ltd.

EX-800, FX-850, LX-810, LX-850: Seiko Epson Corporation

IBM PC, IBM Proprinter, IBM Proprinter II, IBM Proprinter III:
International Business Machines Corporation.

TrueType: Apple Computer Inc.

MS-DOS, Microsoft Windows, Windows 3.1, Windows 95: Microsoft Corporation

Notice

- All rights reserved. Reproduction of any part of this manual in any form whatsoever, without STAR's express permission, is strictly forbidden.
- The contents of this manual are subject to change without notice.
- All efforts have been made to ensure the accuracy of the contents of this manual at the time of printing. However, should any errors be found, STAR would greatly appreciate being informed of them.
- The above notwithstanding, STAR can assume no responsibility for any errors in this manual.

© Copyright 1995 Star Micronics Co., Ltd.

About this manual

This manual describes how to set up, use, and care for the Star LC-1011C and LC-100+ Colour printers. The following is a list of what you can expect to find in each chapter.

- Chapter 1** Choosing a place for your printer, unpacking and setup, ribbon cassette installation, loading paper, connecting to your computer
- Chapter 2** How to use the control panel
- Chapter 3** How to use the printer's Electronic DIP Switch (EDS) Mode to set up the printer to match the needs of your system and software
- Chapter 4** Installing, starting up and using the User Setup Utility
- Chapter 5** How to set up for printing with Microsoft Windows 3.1, how to prepare for printing, how to print a document
- Chapter 6** How to set up for printing with Microsoft Windows 95, how to prepare for printing, how to print a document
- Chapter 7** How to set up for printing with IBM OS/2 Warp, how to prepare for printing, how to print a document
- Chapter 8** How to set up for printing with MS-DOS
- Chapter 9** Selecting the best type of paper, adjusting for paper thickness, manual sheet feeding, clearing paper jams
- Chapter 10** How to install and use the optional accessories that are available for your printer
- Appendix A** How to deal with printing problems
- Appendix B** Specifications
- Appendix C** Interface information
- Appendix D** Character sets
- Appendix E** Printer control codes
- Appendix F** Glossary
- Appendix G** Control panel operation guide

Contents

Chapter 1: Printer Setup ... 1

- Choosing a place for the printer ... 1
- Unpacking the printer ... 2
- General guide ... 3
- Installing the platen knob ... 4
- Opening the front cover ... 4
- Installing the ribbon cassette ... 5
- Removing the ribbon cassette ... 7
- Installing the paper guide ... 8
- Connecting to a power outlet and turning power on and off ... 8
- Loading fanfold paper ... 9
- Printing on fanfold paper ... 12
- Parking fanfold paper ... 13
- Unparking fanfold paper ... 13
- Using the tear-off function ... 14
- Connecting to your computer ... 14

Chapter 2: Control Panel Operations ... 16

- Switching between on-line and off-line ... 16
- Selecting a font ... 17
- Entering the Font Lock Mode ... 17
- Setting the character pitch ... 18
- Entering the Pitch Lock Mode ... 18
- Line feed ... 19
- Paper eject (cut-sheet paper) ... 19
- Form feed (fanfold paper) ... 19
- Parking fanfold paper ... 19
- Micro feed ... 20
- Setting the top of form position ... 20
- Tear-off function (fanfold paper) ... 20
- Selecting the Quiet Print Mode ... 21
- Changing the auto load position ... 21
- Saving a macro ... 22
- Clearing the printer's buffer ... 23
- Initializing the printer ... 23

Chapter 3: Using the EDS Mode ... 24

- About EDS Mode settings ... 24
- Entering the EDS Mode ... 24
- Selecting a bank ... 25
- Selecting a switch ... 25
- Changing a switch setting ... 25
- Printing the current switch settings ... 26
- Exiting the EDS Mode ... 26
- EDS Mode Settings ... 26

Chapter 4: User Setup Utility ... 33

- Installing the User Setup Utility ... 33
- Starting the User Setup Utility ... 34
- Changing the General, Font, Paper and Adjust Settings ... 35
 - To select a window ... 35
 - To select a setting box ... 36
 - To change a setting ... 36
- Adjusting the dot alignment ... 36
- Changing the printer port ... 37
- Saving setup data in a configuration file ... 37
- Importing setup data from a configuration file ... 38
- Returning to default settings ... 38
- Exiting the User Setup Utility ... 38
- Using the Help menu ... 38

Chapter 5: Using the Printer with Windows 3.1 ... 39

- Setting up for printing with Microsoft Windows 3.1 ... 39
- Getting ready to print ... 41
- Printing a document ... 42
- Installing TrueType fonts ... 43
- Selecting fonts in Windows applications ... 44

Chapter 6: Using the printer with Windows 95 ... 45

- Setting up the printer in Windows 95 ... 45
- Preparing to print ... 48
- Printing a document ... 50
- Installing TrueType fonts ... 51

Chapter 7: Using the Printer with OS/2 Warp ... 52

Setting up for printing with OS/2 Warp ... 52

Getting ready to print ... 53

Printing a document ... 53

Chapter 8: Using the Printer with MS-DOS ... 54

Setting up for printing with MS-DOS ... 54

Chapter 9: Paper Handling ... 56

Selecting paper types ... 56

 Cut-Sheet Paper (Manual Feed) ... 56

 Cut-Sheet Paper (with Optional Automatic Sheet Feeder) ... 56

 Fanfold Paper ... 56

Adjusting for paper thickness ... 57

Automatic fanfold feeding ... 58

Manual sheet feeding ... 58

Clearing paper jams ... 59

Chapter 10: Optional Accessories ... 60

Appendix A: Troubleshooting ... 68

Appendix B: Specifications ... 79

Appendix C: Interface Pin Outs ... 81

Appendix D: Character Sets ... 82

Appendix E: Printer Control Codes ... 88

Appendix F: Glossary ... 93

Appendix G: Control Panel Operation Guide ... 94

Chapter 1: Printer Setup

This chapter contains important information on setting up your printer. Be sure to read this chapter carefully before using the printer for the first time. In this chapter you will learn about:

- Choosing a place for the printer
- Unpacking and setting up the printer
- Installing the platen knob
- Installing the ribbon cassette
- Loading paper
- Connecting to your computer

Choosing a place for the printer

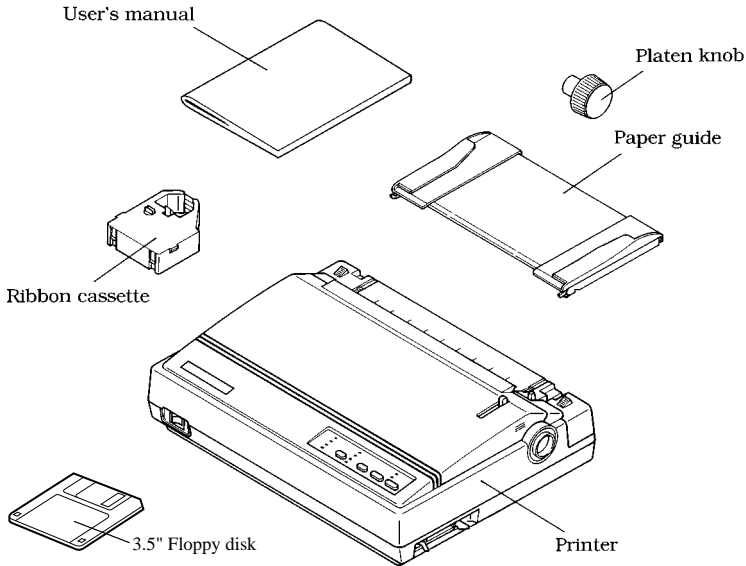
Before actually unpacking the printer, you should take a few minutes to think about where you plan to use it. Remember the following points when doing this.

- ✓ Choose a firm, level surface where the printer will not be exposed to vibration.
- ✓ The power outlet you plan to connect to for power should be nearby and unobstructed.
- ✓ Make sure that the printer is close enough to your computer for you to connect the two with your printer cable.
- ✓ Allow six inches (15 centimeters) of free space on either side of the printer. If you are going to use fanfold paper, make sure that there is adequate space for paper behind the printer.
- ✓ Make sure that the printer is not exposed to direct sunlight.
- ✓ Make sure that the printer is well away from heaters.
- ✓ Make sure that the surrounding area is clean, dry, and free of dust.
- ✓ Make sure that the printer is connected to a reliable power outlet. It should not be on the same electric circuit as copiers, refrigerators, or other appliances that cause power spikes.
- ✓ Use a power outlet that matches the power rating noted on the label affixed to the bottom of your printer.
- ✓ Make sure that the room where you are using the printer is not too humid.

2 *Printer Setup*

Unpacking the printer

Check to make sure that the carton contains each of the items shown in the following illustration.



If anything is missing, contact the store where you bought the printer and ask them to supply the missing part. Note that it is a good idea to keep the original box and all the packing materials just in case you need to pack the printer up again and send it somewhere at a later date.

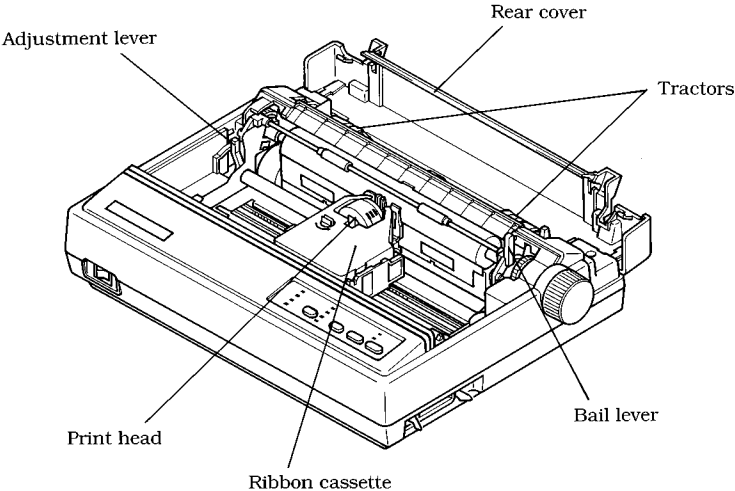
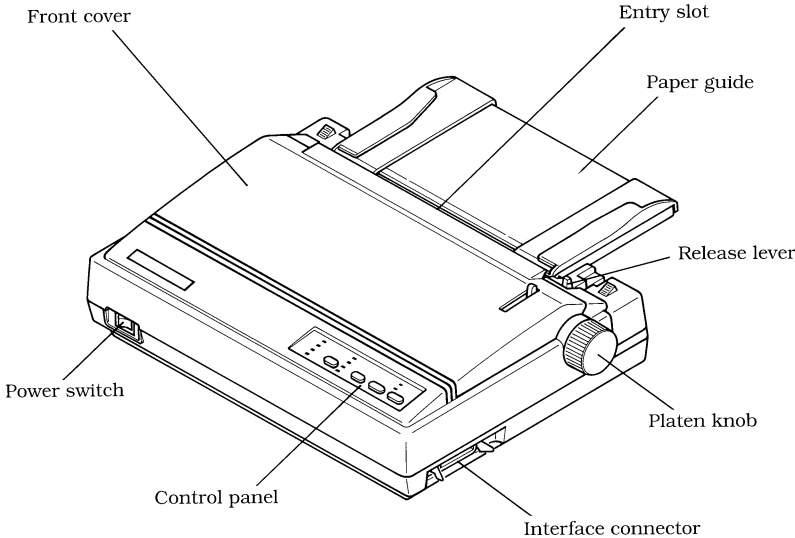
A serial-to-parallel interface converter (SPC-8K), an Automatic Sheet Feeder (SF-10DT) and monochrome ribbon cassettes (LC9/LC9HD/LC9W) are also available as options. Consult your dealer for details.

Important!

There are several versions of this printer designed for different voltages. It is not possible to change the voltage of a printer. If the voltage shown on the label on the bottom of your printer does not match the voltage for your area, contact your dealer immediately.

General guide

The following illustrations show the major components of your printer.

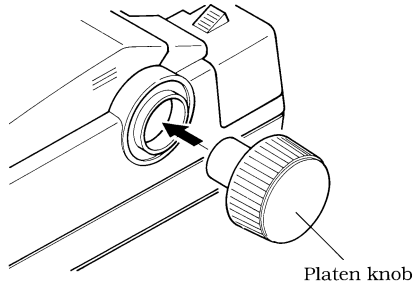


4 Printer Setup

Installing the platen knob

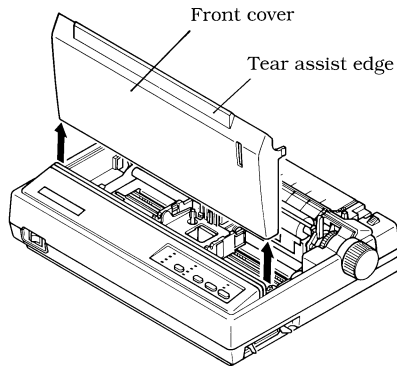
The platen knob is packed into a recess in the packaging material.

- Install the knob on the shaft located inside the large hole on the right side of the printer. Make sure that the two splines of the platen shaft inside the printer fit into the slots inside the knob's spindle. Press the knob carefully but firmly into place as far as it will go.



Opening the front cover

- Lift up on the front cover while pressing in gently on its sides.



- To close the front cover, simply lower it back into place.

Caution!

The tear assist edge is rather sharp. Take care to avoid injuring your hands.

Note:

You can completely remove the front cover from the printer or you can stand it up without removing it. You should normally leave the front cover closed, because it protects against objects getting into the printer, and it cuts down on printer noise.

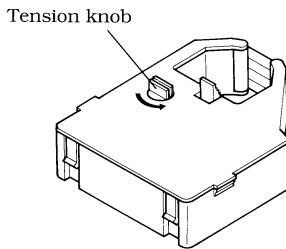
Installing the ribbon cassette

- Make sure that the printer is unplugged from its power outlet.

Caution!

Never move the print head while the printer is turned on. Doing so can damage the printer. If you have just finished printing, let the print head cool for a few minutes before you touch it.

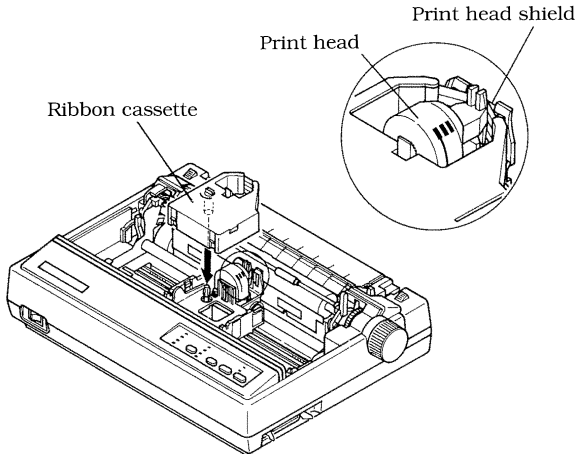
- Open the front cover of the printer.
- Remove the ribbon cassette from its package.
- Rotate the knob on the ribbon cassette counterclockwise to take up any slack in the ribbon.



- Carefully place the cassette onto the cartridge holder making sure that the spindle of the holder fits into the socket on the bottom of the cassette. Also make sure that the side tabs fit into the grooves on the sides of the cartridge holder.

6 Printer Setup

- While guiding the ribbon between the print head and print head shield, press down gently but firmly on the cassette until the side tabs snap securely into place.



- Rotate the knob on the cassette again to take up any slack.
- Close the front cover of the printer.

Note:

If you want to print with black only, use an optional LC9, LC9HD, or LC9W monochrome ribbon cassette. If you change to a monochrome ribbon, be sure to make the required changes to the EDS settings (page 30).

Printing that is poor quality or too light is almost always due to a ribbon that is simply worn out or “used up.” Check the following points whenever print quality is not what you expect.

- ✓ Is your monochrome ribbon still in good shape? If the ribbon material appears to be grey, it means that the black ink has been used up and it is time to replace the ribbon.
- ✓ Are you using a color ribbon to print mainly black text? Doing so can cause the black part of the color ribbon to be used up too quickly. Switch to a monochrome ribbon whenever you plan to print mainly black text. Remember to make any necessary EDS changes when you change ribbon types.

- ✓ Are you getting muddy-looking colors from a color ribbon? The more green, orange, and purple colors you use, the quicker the primary colors (blue, red, yellow) will become mixed with other colors. This will cause a drop in performance of the ribbon.
- ✓ Remember that changing the ribbon before it becomes frayed or completely out of ink extends the life of your print head.

Removing the ribbon cassette

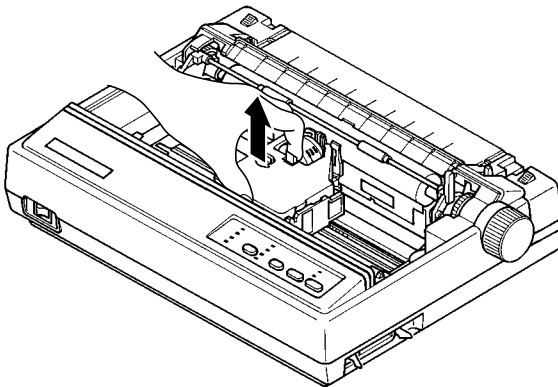
Use the following procedure to remove the ribbon cassette from the printer when you want to replace it with a new one.

- Make sure that the printer is unplugged from its power outlet.

Caution!

Never move the print head while the printer is turned on. Doing so can damage the printer. If you have just finished printing, let the print head cool for a few minutes before you touch it.

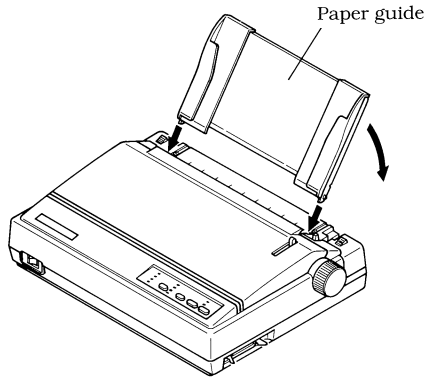
- Open the front cover of the printer.
- Pressing the release tab on the ribbon cassette (the one labeled “TO REMOVE”), lift up the front part (the part nearest the print head) of the ribbon cassette.



- Once it is free, carefully remove the cassette from the holder.
- Use the procedure under “Installing the ribbon cassette” on page 5 to install a new cassette.

Installing the paper guide

- Insert the two tabs on the bottom of the paper guide into the holes provided on the rear cover of the printer.



- To remove the paper guide from the printer, simply pull the tabs out of the holes.

Note:

Lay the paper guide down flat when using fanfold paper, and stand it up when using cut-sheet paper.

Connecting to a power outlet and turning power on and off

- Plug the power cord of the printer into a standard power outlet whose voltage matches the power rating noted on the label affixed to the bottom of your printer.

Caution!

If the voltage marked on the bottom of your printer does not match the voltage from the outlet you are using, do not plug in the power cord. Contact your dealer for assistance.

- Set the switch on the front of the printer to ON to turn power on, and to OFF to turn power off.

Note:

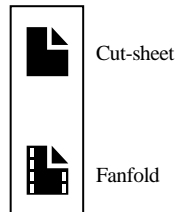
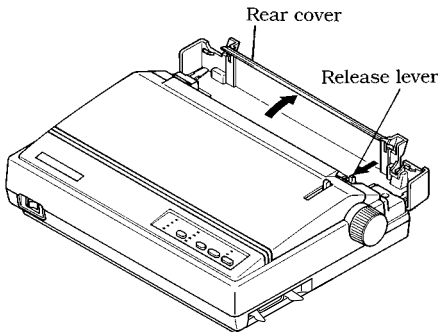
We recommend that you unplug the printer from the power outlet whenever you do not plan to use it for long periods. Because of this, you should locate the printer so that the power outlet it is plugged into is nearby and easy to access.

At this point you may want to perform a test of the printer to make sure it is working properly. See “Testing the printer” on page 68 for details on how to perform tests.

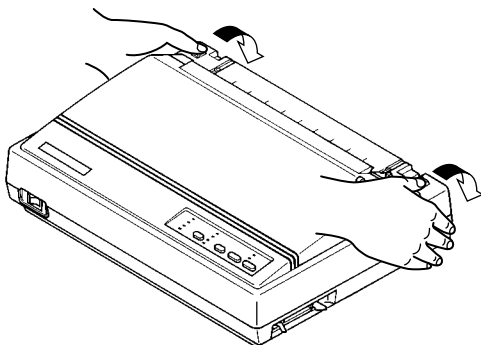
Loading fanfold paper

This section tells you how to load fanfold paper. Note that you can also use cut-sheet paper and multi-part form paper. For details on using other types of paper, see “Paper Handling” on page 56 of this manual.

- Remove the paper guide from the printer.
- Position the stack of paper behind the printer.
- Make sure printer power is turned off.
- Set the release lever to the fanfold position.



- ❑ Grasping the two back corners of the printer with the palms of your hands, press back on the two raised areas on the top of the rear cover until it opens.

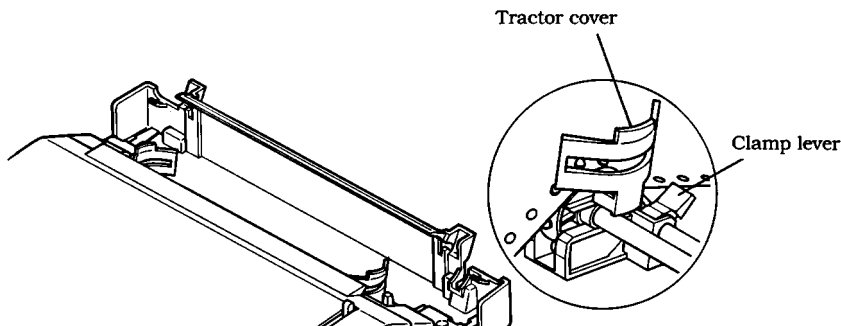


- ❑ Swing the rear cover back and down until it stops.

Note:

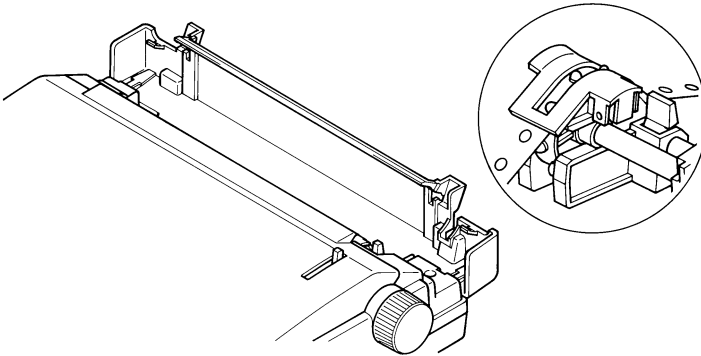
You can also completely remove the rear cover by simply pulling it away from the back of the printer after you open it.

- ❑ Pass the fanfold paper through the space between the printer case and the rear cover.
- ❑ Unlock the two tractor covers by pushing their gray levers down, and slide them so they are aligned approximately with the holes on the sides of the paper. Also move the center paper support so that it is approximately halfway between the two tractors.
- ❑ Open the covers of both tractors and insert the paper so the tractor pins fit into the holes of the paper.



- ❑ Close the tractor covers and make final adjustments to the paper position by moving the tractors. The paper should lie flat with no buckling or bulging (tractors too close) or no stretching or elongation of the holes (tractors too

far apart). After making these adjustments, be sure that you re-lock the tractors by pulling the gray levers into the locked position.

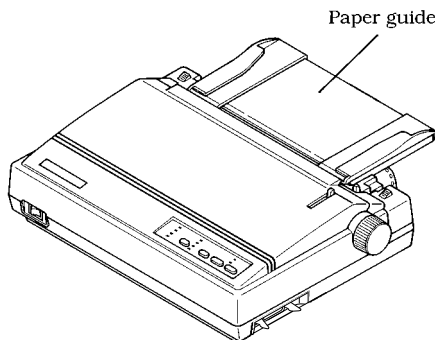


- Close the rear cover and press down gently on it until it locks into place with a click.

Note:

If you removed the rear cover, first insert its two tabs into the holes provided in the back of the printer and then swing it closed.

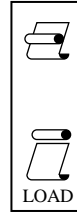
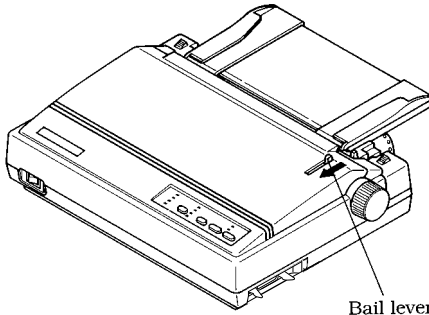
- Install the paper guide so that it lays down flat as shown below. In this position, the paper guide keeps the printed paper separate from the unprinted paper.



- Turn on the printer.
The printer will beep a number of times to indicate that paper is not loaded properly. Also, the control panel's **POWER** indicator flashes whenever paper is not loaded.

12 Printer Setup

- Pull the bail lever toward the front of the printer. This will feed the paper to the starting position.



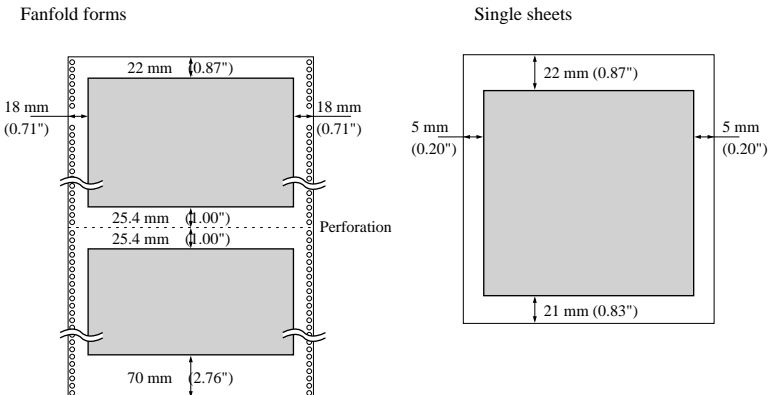
- After the paper is fully fed (indicated by the printer's beeping), return the bail lever back to its original position toward the back of the printer.

Important!

Never return the bail lever to its original position until the paper is fully fed. The printer will beep when you can return the bail lever to its original position.

Printing on fanfold paper

When printing on fanfold paper, take care not to print too close to the perforations that separate each sheet. The following shows the recommended print area for fanfold paper and cut-sheet paper.



Parking fanfold paper

It is not necessary to remove fanfold paper currently loaded in the printer in order to print on cut-sheet paper. Instead, simply use the following procedure to *park* the fanfold paper.

- Tear off the paper at a perforation so there is no more than half a page sticking out of the front cover of the printer.
If necessary, you can press the control panel's **ON LINE** button to put the printer off-line. Then use the **PAPER FEED** button to feed the paper until a perforation is just past the front cover.
- Press the control panel's **ON LINE** button to put the printer off-line.
- While holding down the control panel's **FONT** button, press the **PAPER FEED** button. The printer automatically reverse feeds the fanfold paper until it is no longer in contact with the platen, which is indicated by the printer beeping a number of times. Also, the control panel's **POWER** indicator starts to flash because paper is not loaded.
- Move the release lever to the cut-sheet position.
- Change the paper guide to its upright position.
You can now load cut-sheet paper into the printer using the procedures under "Manual sheet feeding" on page 58.

Unparking fanfold paper

After you are finished printing on cut-sheet paper, use the following procedure to unpark fanfold paper and make it available for printing.

- Remove all cut-sheet paper from the printer.
- Change the paper guide position so that it is laying down flat.
- Move the release lever to the fanfold position.
- Pull the bail lever toward the front of the printer to feed the paper to the starting position.
- After the paper is fully fed (indicated by the printer's beeping), return the bail lever back to its original position toward the back of the printer.
The printer automatically goes back on-line at this time.

Using the tear-off function

The following procedure makes it easy to tear off fanfold paper.

- Check to make sure that the printer is on-line.
- Press the **FONT** button to perform the long tear-off operation, or press the **PITCH** button to perform the short tear-off operation.

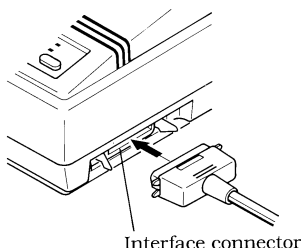
The long tear-off operation causes the paper to be fed automatically so the tear assist edge of the printer cover is aligned with the paper's next perforation.

The short tear-off operation causes the paper to be fed automatically so the tear assist edge of the printer cover is located just below the last line printed on the paper.

- Pull the paper against the tear assist edge to tear it off.

Connecting to your computer

The computer sends data to the printer through a cable. This printer does not come with a cable, so you must purchase one separately. You will probably want to use a standard parallel cable for connection, but note that you can also use an optional serial-to-parallel interface converter (SPC-8K).



Important!

The following instructions apply to the Centronics parallel cable that is used with an IBM-compatible personal computer. Note that they do not apply to all types of computers and cables. If you are unsure about what type of cable you should use to connect with your computer, consult your dealer.

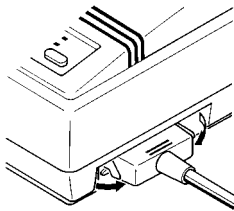
For an IBM-compatible personal computer:

- ✓ Use a standard 36-pin Centronics parallel cable.
- ✓ The parallel cable should be no longer than six feet (two meters). Longer cables can result in poor transfer of information.

Important!

Make sure that the printer and the computer are turned off before connecting them.

- Plug one end of the parallel cable into the parallel port of your computer. The parallel port should be labeled “Printer,” “Parallel,” “PRN,” “LPT1,” or something similar.
- Plug the other end of the parallel cable into the socket on the side of the printer and secure it in place with the clips.

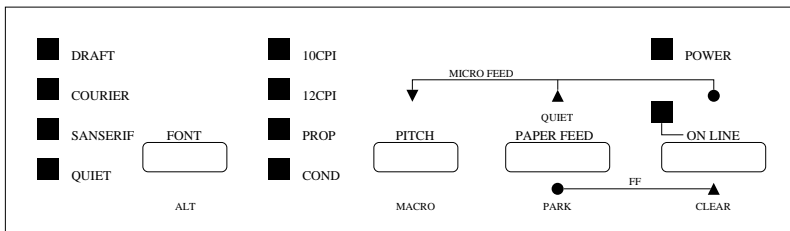


Note:

Consult your dealer for details on how to set up your computer when using the optional SPC-8K serial-to-parallel interface converter.

Chapter 2: Control Panel Operations

The control panel gives you push-button control over the printer's operations. It includes indicator lights, which tell you the current status of the printer at a glance.



This chapter describes control panel functions that can be performed while the printer is turned on and either on-line or off-line. The buttons perform different functions in the EDS and Dot Adjustment Modes. Functions of control panel buttons in these modes are described in the relevant sections covering them.

Switching between on-line and off-line

- Press **ON LINE** to switch the printer between being on-line and off-line.
- When the printer is on-line, the **ON LINE** indicator is lit and the printer can receive data from the computer. You should make sure that the printer is on-line whenever you are trying to print.
- When the printer is in off-line, the **ON LINE** indicator goes out, which means that the printer cannot receive any data.
- Note that you can also press **ON LINE** while a printing operation is in progress to stop the printing.

Important!

Make sure that the on-line/off-line setting of the printer is correct before performing a control panel operation.

Selecting a font

- Make sure the printer is off-line (**ON LINE** indicator is not lit).
- Press **FONT** to change the font selection. An indicator lights to the left of the name of the font that is currently selected.

The following shows the fonts that are available.

Lit Indicator	Font Name
DRAFT	Draft
COURIER	Courier
SANSERIF	Sanserif

Note:

The font setting you make with the above procedure can be changed if the software you are using overrides the setting from the control panel. You can prevent this by using the following procedure to put the printer into the Font Lock Mode when you turn it on.

Entering the Font Lock Mode

When the printer is in the Font Lock Mode, the font settings you make on the control panel are used even if your software tries to override the font. Use the following procedure to enter the Font Lock Mode.

- Turn off the printer.
- While holding down **FONT**, turn printer power on.

The printer is now in the Font Lock Mode. You could enter the Font Lock Mode and Pitch Lock Mode (page 18) at the same time by holding down both **FONT** and **PITCH** when you turn on printer power.

To exit the Font Lock Mode, simply turn the printer off.

Important!

Font and pitch lock will not function if you are using Windows TrueType fonts.

Setting the character pitch

The character pitch setting controls how many characters are printed per inch. Use the following procedure to select the pitch you want.

- Make sure the printer is off-line (**ON LINE** indicator is not lit).
- Press **PITCH** to change the pitch selection.

The following shows the meanings of the indicators that light on the control panel when you press **PITCH**.

Lit Indicators	Meaning
10CPI	10 characters per inch (Pica)
12CPI	12 character per inch (Elite)
10CPI + COND	17 characters per inch (Condensed Pica)
12CPI + COND	20 characters per inch (Condensed Elite)
10CPI + PROP	Pica Proportional
12CPI + PROP	Elite Proportional
10CPI + COND + PROP	Condensed Pica Proportional
12CPI + COND + PROP	Condensed Elite Proportional

Note:

The pitch setting you make with the above procedure can be changed if the software you are using overrides the setting from the control panel. You can prevent this by using the following procedure to put the printer into the Pitch Lock Mode when you turn it on.

Entering the Pitch Lock Mode

When the printer is in the Pitch Lock Mode, the pitch settings you make on the control panel are used even if your software tries to override the pitch. Use the following procedure to enter the Pitch Lock Mode.

- Turn off the printer.
- While holding down **PITCH**, turn printer power on.

The printer is now in the Pitch Lock Mode. You could enter the Pitch Lock Mode and Font Lock Mode (page 17) at the same time by holding down both **FONT** and **PITCH** when you turn on printer power.

To exit the Pitch Lock Mode, simply turn the printer off.

Important!

Font and pitch lock will not function if you are using Windows Truetype fonts.

Line feed

- Make sure the printer is off-line (**ON LINE** indicator is not lit).
- Press **PAPER FEED** once to feed paper one line. Holding down **PAPER FEED** continually feeds paper, one line at a time, until you release the button.

Paper eject (cut-sheet paper)

- Make sure the printer is off-line (**ON LINE** indicator is not lit).
- While holding down **PAPER FEED** (which means the line feed operation is being performed), press **ON LINE** and then release the two buttons.
The printer will automatically eject the sheet of paper that is in the printer.

Form feed (fanfold paper)

- Make sure the printer is off-line (**ON LINE** indicator is not lit).
- While holding down **PAPER FEED** (which means the line feed operation is being performed), press **ON LINE** and then release the two buttons.
The printer will automatically feed the paper to the top of the next page.

Parking fanfold paper

- Make sure the printer is off-line (**ON LINE** indicator is not lit).
- While holding down the control panel's **FONT** button, press the **PAPER FEED** button.
- The printer automatically reverse feeds the fanfold paper until it is no longer in contact with the platen.

Micro feed

Use the following operation to feed the paper in very small increments. This makes it possible to align the print head exactly where you want it.

- Make sure the printer is off-line (**ON LINE** indicator is not lit).
- While holding down **ON LINE**, press **PAPER FEED** to feed the paper forward or **PITCH** to feed the paper backward.

Setting the top of form position

The current position of paper loaded in the printer is automatically set as the top of the page whenever you turn power on. You can also use the following procedure at any time to specify a different position as the top of the page.

- Make sure the printer is off-line (**ON LINE** indicator is not lit).
- Use the micro feed operations (see above) to move the paper so that the print head is located where you want the new top of form position to be.
- While holding down **PITCH**, press **PAPER FEED**.
The printer will beep once to indicate that a new top of form position has been set.

Tear-off function (fanfold paper)

This procedure feeds fanfold paper to a position where it can be torn off easily.

- Check to make sure that the printer is on-line.
- Press the **FONT** button to perform the long tear-off operation, or press the **PITCH** button to perform the short tear-off operation.

The long tear-off operation causes the paper to be fed automatically so the tear assist edge of the printer cover is aligned with the paper's next perforation.

The short tear-off operation causes the paper to be fed automatically so the tear assist edge of the printer cover is located just below the last line printed on the paper.

- Pull the paper against the tear assist edge to tear it off.

Selecting the Quiet Print Mode

The Quiet Print Mode lets you print with less noise than that produced with normal printing. Use the following procedure to enter and exit the Quiet Print Mode.

Important!

Though the Quiet Print Mode prints more quietly, it also causes printing to take considerably longer than normal printing.

- Make sure the printer is on-line (**ON LINE** indicator is lit).
- Press **PAPER FEED**, to toggle between the Quiet Print Mode and normal printing.
The **QUIET** indicator is lit when the Quiet Print Mode is selected, and is not lit when normal printing is selected.

Changing the auto load position

Normally the printer automatically feeds paper to a standard position, based on the printable area specified in the EDS Mode (page 29). This is called the auto load position. You can use the following procedure to specify a different auto load position.

- Make sure the printer is off-line (**ON LINE** indicator is not lit).
- While holding down **ON LINE**, press **FONT** and then release the two buttons.
The printer will automatically eject the cut-sheet that is in the printer, or reverse feed fanfold paper until it is no longer in contact with the platen. Also, all the font and pitch indicators on the control panel will light.
- Pull the bail lever towards the front of the printer to feed the paper to the starting position.
- After the paper is fully fed, return the bail lever back to its original position toward the back of the printer.
- Feed the paper so the print head is located where you want the new auto load position to be.

Press **PAPER FEED** to feed the paper forward and **PITCH** to feed the paper backward. This is the micro feed operation.

If the end of the paper comes close to coming out of the bail roller while you are feeding the paper backward, the printer will beep. If this happens, pull the bail lever towards the front of the printer.

- After you have the paper at the position you want, hold down **ON LINE** and press **PAPER FEED** to make the current print head position the new auto load position. The printer will beep twice to indicate that the new auto load position is set.
- To clear the new auto load position and return to the one that you set previously (using the above procedure), press **ON LINE**. To clear the currently set auto load position and return to the position specified by the EDS Mode (page 29), hold down **ON LINE** and press **FONT**.

Note:

*The auto load position you set remains in effect until you turn the printer off. If you want to save the auto load position in memory, press **PITCH** instead of **PAPER FEED** while holding down **ON LINE** in the above step.*

Saving a macro

Normally, any settings you make on the control panel are cleared when you turn the printer off. Use the following procedure to save the current control panel settings so that they are used whenever you turn the printer on.

- Make the control panel settings you want.
- Use **ON LINE** to put the printer off-line (**ON LINE** indicator is not lit).
- Hold down **FONT** and then **PITCH**. Keep both buttons held down until the printer beeps twice.

The font setting indicator will change to the next font when you press **FONT**, but this procedure saves the font setting that was shown by the indicator before you pressed **FONT**.

This procedure saves the following settings.

- Current font and pitch settings
- Current print color
- Quiet mode status

These items can be set separately for the Standard mode and the IBM mode.

- To clear saved control panel settings repeat the above procedure, but keep **FONT** and **PITCH** depressed after the printer beeps twice. Soon the printer will beep again three times to indicate that the saved control panel settings have been cleared.

Clearing the printer's buffer

When the printer receives data from a computer, it temporarily stores it in a memory called a buffer. If you stop a printing job partway through, there is the chance that some data will remain in the buffer. The following procedure clears the printer's buffer by deleting any data that might be there.

- Execute the necessary command in the program you are using to stop the print job.

Important!

Be sure to stop the print job before taking the printer off line. Otherwise, the print job will resume from where you interrupted it when you put the printer back on-line.

- Use **ON LINE** to take the printer off line (**ON LINE** indicator is not lit).
- Hold down **FONT** and then **ON LINE**. Keep both buttons held down until the printer beeps once, which indicates that the buffer is cleared.

Initializing the printer

The following procedure initializes the printer to its power-on settings. If you have control panel settings stored in memory, this procedure sets up the printer using them.

- Use **ON LINE** to take the printer off line (**ON LINE** indicator is not lit).
- Hold down **FONT** and then **ON LINE**. Keep both buttons held down until the printer beeps once (indicating the printer buffer is cleared) and then beeps again three times, which indicates that the printer is reset.

Chapter 3: Using the EDS Mode

The letters “EDS” stand for “Electronic DIP Switches.” Just like the small DIP switches that are used by many computers, printers, and other devices, the EDS lets you configure the printer so that it matches your system and software needs. This chapter describes how to enter the printer’s EDS Mode and provides details about available settings and how to change them.

All switch settings are ON when the printer is shipped from the factory.

About EDS Mode settings

EDS Mode settings are grouped among six “banks” (representing banks of switches) that are identified by the letters A through F. Each bank contains a number of “switches” numbered 1 through 6 that you can turn on and off to configure the printer.

Entering the EDS Mode

- Make sure that paper is loaded in the printer.
- Turn off the printer.
- While holding down the control panel’s **FONT**, **PITCH**, and **PAPER FEED** buttons, turn the printer back on.

This causes the following message to be printed, which indicates the printer is in the EDS Mode.

CURRENT EDS SETTINGS

Bank	A	B	C	D	E	F
Switch	123456	123456	123456	123456	123456	123456
ON	*****	*****	*****	*****	*****	*****
OFF						

Selecting a bank

- While in the EDS Mode, use the control panel's **FONT** button to select a bank. When the **DRAFT** indicator flashes, the font and pitch indicators show which bank is currently selected.

Lit Indicator	Selected Bank
COURIER	A
SANSERIF	B
QUIET	C
12CPI	D
PROP	E
COND	F

Selecting a switch

- While in the EDS Mode, use the control panel's **PITCH** button to select a bank switch. When the **10CPI** indicator flashes, the font and pitch indicators show which switch is currently selected.

Lit Indicator	Selected Switch
COURIER	1
SANSERIF	2
QUIET	3
12CPI	4
PROP	5
COND	6

Changing a switch setting

- After selecting a bank and switch, press the control panel's **PAPER FEED** button to turn the switch on and off. The current setting of the switch is shown by the **ON LINE** indicator: the indicator is lit when the switch is on, and is not lit when the switch is off.

Printing the current switch settings

- To print the current EDS switch settings while in the EDS Mode, press and hold the control panel's **ON LINE** button and then press the **PAPER FEED** button. Asterisks on the printout show whether a switch is turned on or off.

Exiting the EDS Mode

- To save EDS settings you have made and exit the EDS Mode, press the **ON LINE** button.

EDS Mode Settings

The following details all of the settings you can program in the EDS Mode. You can print out a detailed overview of all the settings by performing a short test of the printer (page 69).

BANK A

Switch 1: Emulation

Selects Standard emulation (ON) or IBM emulation (OFF). Standard emulation causes the printer to act like the Epson ESC/P (9-pin), while IBM emulation makes it act like the IBM Proprinter III.

Switch 2: Character Table

The function of this switch depends on whether you are using IBM or Standard emulation.

Emulation	Switch 2 Setting	Description
Standard	ON	Graphics: IBM Character Set #2
	OFF	Italics: Italic character table used
IBM	ON	IBM Character Set #2
	OFF	IBM Character Set #1

Switch 3: RAM Usage

Specifies whether RAM should be used as an input buffer (ON) or as a download buffer (OFF). Selecting input buffer (ON) tells the printer to use available RAM to store data it receives from the computer, which speeds up the printing. Selecting download buffer (OFF) tells the printer to use available RAM to store character patterns.

Switch 4: Automatic Sheet Feeder

Specifies whether the optional SF-10DT Automatic Sheet Feeder is installed (OFF) or not installed (ON).

Switch 5: Paper Out Detector

Specifies whether the printer's paper out detector is enabled (ON) or disabled (OFF). When the paper out detector is enabled (ON), the printer automatically stops printing whenever it senses there is no more paper. When it is disabled (OFF), the printer continues printing as long as there is data. Selecting disabled (OFF) makes it possible to print right up to the bottom of a page, but it also creates the danger of printing when there is no paper loaded in the printer, which can damage the print head and platen.

Switch 6: CR Centering

Specifies whether the printer's CR centering feature is enabled (OFF) or disabled (ON). When CR centering is enabled (OFF), the carriage moves to the center of the platen before fanfold paper is fed or while printing is being performed near a perforation. The printer automatically stops printing whenever it senses there is no more paper. When it is disabled (ON), the carriage does not move before the paper is fed. If CR centering is enabled (OFF), be sure that you set the page length of the fanfold paper you are using to the correct value. Otherwise, CR centering will be performed at the wrong time.

BANK B

Switch 1: NLQ Direction

Selects uni-directional (ON) or bi-directional (OFF) printing for NLQ (Near Letter Quality) printing. Bi-directional printing (OFF) is faster, while uni-directional (ON) printing generally provides better print quality.

Switch 2: Auto Tear-off (Long)

Specifies whether the printer's auto tear-off (long) feature (page 20) is enabled (OFF) or disabled (ON). Note that this setting controls the application software's tear-off function only. It does not affect the manual tear-off function that is performed using the control panel buttons as described on page 14. The manual tear-off function is always enabled.

Switch 3: Line Spacing

Selects 1/6-inch (ON) or 1/8-inch (OFF) spacing between lines.

Switch 4: Auto LF with CR

Specifies whether auto LF with CR is enabled (OFF) or disabled (ON). When auto LF with CR is enabled (OFF), the printer automatically performs a line feed whenever it receives a carriage return from the computer. When it is disabled (ON), the computer must send both a line feed code and a carriage return code at the end of each line. Most applications do this automatically. Note the following checkpoints when trying to figure out which setting to use here:

- ✓ If you find that your output is double-spaced when it should not be, turn this switch ON (Disabled).
- ✓ If you find that lines are printing over each other, turn this switch OFF (Enabled).

Switch 5: Zero Style

Specifies whether a normal zero (ON) or a slashed zero (OFF) will be used. Selecting Normal (ON) prints zeros without lines running through them, while Slashed (OFF) prints zeros with a diagonal slash running through them.

Switch 6: Reserved

BANK C**Switch 1: Print Mode**

Selects Draft (ON) or NLQ (OFF) as the print mode. NLQ (OFF) provides near letter quality output, while Draft (ON) provides draft quality. Draft quality printing may be less attractive than near letter quality, but the printing operation is faster.

Switch 2: Printable Area

Selects Type-A (OFF) or Type-B (ON) as the printable area. Type-A (OFF) causes the print area to start 1/6-inch from the top of the paper and end 1/4-inch from the bottom of the paper. Type-B (ON) causes the print area to start one inch from the top of the paper and end 1/4-inch from the bottom of the paper.

Switches 3, 4, 5: Print Pitch

Turn these switches on or off to form the pattern that matches the print pitch setting you want to make.

Print Pitch	SW3	SW4	SW5
10cpi	ON	ON	ON
12cpi	OFF	ON	ON
17cpi	ON	OFF	ON
20cpi	OFF	OFF	ON
Proportional 10cpi	ON	ON	OFF
Proportional 12cpi	OFF	ON	OFF
Proportional 17cpi	ON	OFF	OFF
Proportional 20cpi	OFF	OFF	OFF

Switch 6: Quiet

When the Quiet Mode is enabled (OFF), the printer prints with less noise than normal printing. Though the Quiet Mode prints more quietly, it also takes considerably longer than normal printing.

BANK D

Switches 1, 2, 3, 4: Page Length

Turn these switches on or off to form the pattern that matches the Page Length setting you want to use.

Page Length	SW1	SW2	SW3	SW4
11"/Letter	ON	ON	ON	ON
8"	OFF	ON	ON	ON
11.7"/A4	ON	OFF	ON	ON
12"	OFF	OFF	ON	ON
8.5"/Letter	ON	ON	OFF	ON
14"/Legal	OFF	ON	OFF	ON
10.5"/Executive	ON	OFF	OFF	ON
7.25"/Executive	OFF	OFF	OFF	ON
3.5"	ON	ON	ON	OFF
5.5"	OFF	ON	ON	OFF

Switches 5, 6: Ribbon Select

Turn these switches on or off to form the pattern that matches the ribbon you are using.

Ribbon Type	SW5	SW6
Color (LC9CL)	ON	ON
Monochrome (LC9W)	OFF	ON
Monochrome (LC9/LC9HD)	ON	OFF
Monochrome (LC9/LC9HD)	OFF	OFF

BANK E**Switches 1, 2, 3, 4, 5: Code Page/International Character Set**

If your EDS settings specify IBM emulation (Bank A, Switch 1 OFF) with either character table (Bank A, Switch 2), or Standard emulation (Bank A, Switch 1 ON) with the graphics character table (Bank A, Switch 2 ON), use the Bank E switches to select the default character code page you want to use.

Code Page	SW1	SW2	SW3	SW4	SW5
#437 IBM-PC	ON	ON	ON	ON	ON
#850 Multi-Lingual	OFF	ON	ON	ON	ON
#852 Latin-2	OFF	OFF	OFF	OFF	ON
#860 Portuguese	ON	OFF	ON	ON	ON
#861 Icelandic	OFF	OFF	ON	ON	ON
#863 Canadian French	ON	ON	OFF	ON	ON
#865 Nordic	OFF	ON	OFF	ON	ON
#866 Russian	ON	OFF	OFF	ON	ON
#3840 IBM-Russian	OFF	OFF	OFF	ON	ON
#3841 Gost-Russian	ON	ON	ON	OFF	ON
#3843 Polish	OFF	ON	ON	OFF	ON
#3844 CS2	ON	OFF	ON	OFF	ON
#3845 Hungarian	OFF	OFF	ON	OFF	ON
#3846 Turkish	ON	ON	OFF	OFF	ON
#3847 Brazil-ABNT	OFF	ON	OFF	OFF	ON
#3848 Brazil-ABICOMP	ON	OFF	OFF	OFF	ON

If your EDS settings specify Standard emulation (Bank A, Switch 1 ON) with the italic character table (Bank A, Switch 2 OFF), use the Bank E switches to select the international character set you want to use. This setting determines the assignment of 14 character codes in the Standard Italic character set.

International Character Set	SW1	SW2	SW3	SW4	SW5
U.S.A.	ON	ON	ON	ON	ON
France	OFF	ON	ON	ON	ON
Germany	ON	OFF	ON	ON	ON
England	OFF	OFF	ON	ON	ON
Denmark-1	ON	ON	OFF	ON	ON
Sweden	OFF	ON	OFF	ON	ON
Italy	ON	OFF	OFF	ON	ON
Spain-1	OFF	OFF	OFF	ON	ON
Japan	ON	ON	ON	OFF	ON
Norway	OFF	ON	ON	OFF	ON
Denmark-2	ON	OFF	ON	OFF	ON
Spain-2	OFF	OFF	ON	OFF	ON
Latin America	ON	ON	OFF	OFF	ON
Korea	OFF	ON	OFF	OFF	ON
Ireland	ON	OFF	OFF	OFF	ON
Legal	OFF	OFF	OFF	OFF	ON

BANK F

Switch 1: NLQ Font Selection

Selects Courier (ON) or Sanserif (OFF) as the default font to use for near letter quality printing.

Note:

Bank C Switch 1 must be in the correct position before this setting has any effect.

Chapter 4: User Setup Utility

The User Setup Utility is included on the floppy disk that comes with the printer. It allows you to change the EDS settings of the printer from your computer.

To run the User Setup Utility, you need an IBM-compatible computer running PC-DOS or MS-DOS. The computer must be equipped with a 3.5" floppy drive and a hard disk drive.

In this chapter you will learn about:

- Installing the User Setup Utility
- Starting the User Setup Utility
- Editing setup data
- Loading and saving setup data
- Exiting the User Setup Utility and sending the settings to the printer

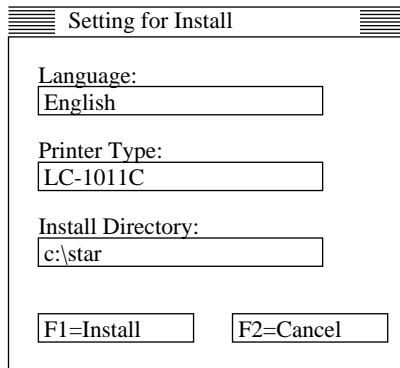
Important!

All the procedures in this chapter assume that you are using a mouse and that you are familiar with common mouse operations like click and double-click. If you need information on mouse operations, see your computer manual. If you want to operate the User Setup Utility using the keyboard instead of the mouse, follow the instructions that appear on your computer's screen.

Installing the User Setup Utility

- Insert the disk that contains the User Setup Utility into one of your computer's disk drives. This explanation assumes you are using the A: drive, but you could use any drive. Just remember to change the "A:" drive name specifications in the following steps to the name of the drive you are using.
- Execute the following commands to start installation of the User Setup Utility. The following commands assume you are starting from drive C:, and the floppy that contains the User Setup Utility is inserted in drive A:.

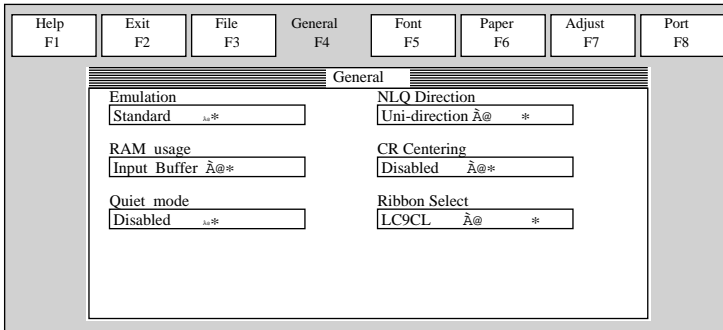
```
C:\>A: ↵
A:\>CD UTILITY↵
A:\UTILITY>SETUP↵
```



- Pull down the list of available languages under **Language:** and double-click the one you want to use.
- Click the **Install Directory:** box to change it into an input box.
- Input the drive name and directory where you want the User Setup Utility installed. Make sure to include the full path to the directory.
You can use your computer's left and right arrow keys, **Delete** key, and backspace key to move around the input box and make changes to the text inside it.
- Click **Install** to install the User Setup Utility and start it up.

Starting the User Setup Utility

- After you install the User Setup Utility, you can start it any time by moving to the directory you specified under "Installing the User Setup Utility" on page 33 and inputting the following:
STARSET ↵



When you start the User Setup Utility, it reads and displays the last settings that were sent to the printer by the utility.

Note:

The utility does not read the settings from the printer. It reads the settings from a file that was created the last time the utility was run, which are stored on your computer's hard disk. If the EDS settings (or any other settings) have been changed using the printer's control panel, those control panel settings will not be shown by the utility, and they will be replaced by the current User Setup Utility settings if you specify that current settings should be sent to the printer (page 38) when you exit the utility.

- Now you can use the User Setup Utility to make the setup changes you want.
You can press F1 at any time to access the on-screen help for the setup utility.

Changing the General, Font, Paper and Adjust Settings

The following are basic operations to change settings in the General, Font, Paper and Adjust windows.

To select a window

- Click on the name of the window you want to select (General, Font, Paper, Adjust, Port) by clicking on its name at the top of your computer's screen. When you do, the corresponding window appears on the screen. You can also select a window by pressing a function key from **F4** to **F8**.

To select a setting box

- Click on the box you want to select or move to it by using your keyboard's **Tab** or arrow keys. The currently selected setting box is highlighted on the screen.

To change a setting

- After you select a setting box, click on the box or press **Enter** to pull down a list of available settings.
- Select the setting you want to use in the list by double-clicking on it, or by moving to it with the arrow keys and pressing **Enter**.

Note:

An asterisk to the right of a setting indicates that it is the default.

The settings in the General, Font, and Paper windows are identical to those in the EDS Mode. See “EDS Mode Settings” on page 26 for details.

Adjusting the dot alignment

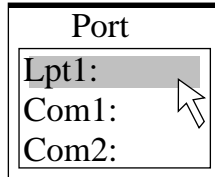
- Click on **Adjust** or press the **F7** function key.

The screenshot shows a window titled "Adjust" with a double-line border. Inside, there are two columns of settings. The left column contains "Ribbon Select", "LC9CL/LC9W", "Draft-10/12", "Draft-17/20", and "EMPHASIZE". The right column contains "NLQ-10/12" and "NLQ-17/20". Each setting is followed by a text box containing the number "0" and an asterisk "*". At the bottom of the window, there are two buttons: "F9:Test" on the left and "F10:Test All" on the right.

- Use the above window to test and adjust the vertical alignment of the printer in each printing mode. See “Adjusting the dot alignment” on page 70 for full details on dot alignment.

Changing the printer port

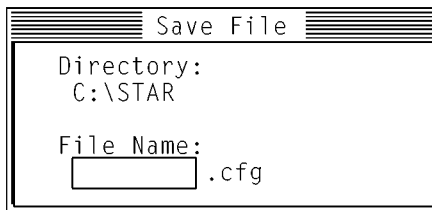
- Click on Port or press the **F8** function key.



- Select the port you want to use by double-clicking on it, or by moving to it with the arrow keys and pressing **Enter**.

Saving setup data in a configuration file

- To save setup data in a configuration file so you can recall it later, click on **File** or press the **F3** function key.
- Select **Save** from the menu that drops down by double-clicking on it, or by moving the highlighting to it with the arrow keys and pressing **Enter**.



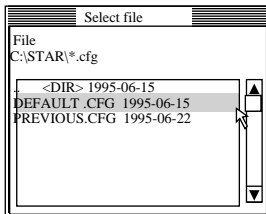
- Input the name that you want to assign to the configuration file and press **Enter**. The configuration is automatically stored in the directory you specified under "Installing the User Setup Utility" on page 33, and assigned the extension ".cfg".

Important!

Remember that changing User Setup Utility settings on the computer screen does not directly change them in the printer. To change the printer settings to those shown on the screen, use the Exit command (page 38).

Importing setup data from a configuration file

- Click on **File** or press the **F3** function key.
- Select **Load** from the menu that drops down by double-clicking on it, or by moving the highlighting to it with the arrow keys and pressing **Enter**.



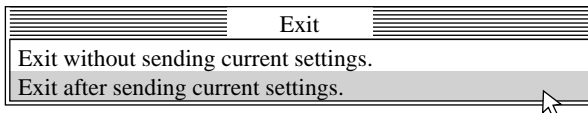
- Select the file that contains the configuration you want to use by double-clicking on its name, or by moving the highlighting to its name with the arrow keys and pressing **Enter**.

Returning to default settings

- To make all settings revert to their defaults, perform the procedure under “Importing setup data from a configuration file” in the previous section and select the file named “DEFAULT.CFG”.

Exiting the User Setup Utility

To exit the User Setup Utility, pull down the **File** menu and select **Exit**.



- Select the option you want by double-clicking on it, or by moving the highlighting to it with the arrow keys and pressing **Enter**.
“Exit after sending current settings” sends all User Setup Utility settings to the printer, which replaces any settings you may have made using the printer’s control panel. “Exit without sending current settings” exists the User Setup Utility without sending anything to the printer.

Using the Help menu

- To get information on how to use the User Setup Utility, click **Help** or press function key **F1**.

Chapter 5: Using the Printer with Windows 3.1

This chapter contains specific information you need to know when using the printer with Microsoft Windows 3.1 or later. It also tells you how to install the printer driver on your computer so that it can control the printer correctly. In this chapter, you will learn:

- How to set up for printing with Microsoft Windows 3.1
- How to prepare for printing
- How to print a document
- How to install TrueType fonts
- How to select fonts from within an application

Setting up for printing with Microsoft Windows 3.1

This printer is designed to work best with computers running Microsoft Windows 3.1. If you are running an earlier version of Windows, we recommend that you upgrade to 3.1.

Before you can use the printer with Windows, you must first use the procedure outlined below to install the printer driver that is supplied on the 3.5" floppy disk that comes with the printer. This procedure assumes that you are using a mouse and that you are familiar with common mouse operations like *click* and *double-click*. If you need information on mouse operations or if you want to install the printer driver without using a mouse, refer to your *Microsoft Windows User's Guide*.

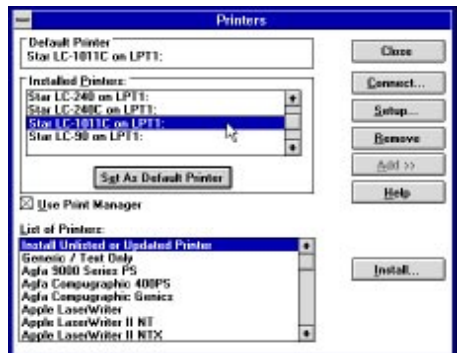
- Insert the disk that contains the printer driver into one of your computer's disk drives. This explanation assumes you are using a drive named "A:", but you could use any drive. Just remember to change the "A:" in the following steps to the name of the drive you are using.
- In the Main group, double-click on the Control Panel icon.
- Double-click on the Printers icon in the Control Panel window.



- Click **Add** and the dialog box will expand to show a List of Printers.
- In the List of Printers: box, select Install Unlisted or Updated Printer.
- Click **Install**.
- This causes the Install Driver dialog box to appear, which instructs you to insert the disk that contains the printer driver file.



- Click **Browse**.
- In the Directories: list, select WIN 31.
- Click on the language you want to use and then click **OK**.
We will use English in all of our examples here.



- In the List of Printers: box of the Add Unlisted or Updated Printer dialog box, select the Star printer driver and then click **OK**.
This causes the Printers dialog box to appear. The STAR printer is now listed in the Installed Printers: list.

- Double-click on the name of the printer model you just installed to select it as the default printer.
- Click **Close** to close the Printers dialog box.

Note:

Windows applications automatically print on the currently selected default printer. If you want to print on a different printer, you must first select it.

See “Installing TrueType fonts (U.S. model only)” on page 43 for information on how to install the TrueType fonts that are supplied on one of the 3.5” floppy disks that come with the printer (U.S. model only).

Getting ready to print

Before printing, there are a number of things you must first do to set up the printer. You must select the printer driver, and the paper source, size, and orientation. Use the following procedure to make these selections.

Note:

You do not need to perform printer driver and paper selections mentioned above each time you print, but only if there are any changes to the last selections you made.

- In the Windows Program Manager, open the Main group by clicking on its icon.
- Double-click on the Control Panel icon.
- Double-click on the **Printers** icon in the Control Panel window.
- Double-click on the name of the printer model you selected above to choose it as the default printer.
- Click on **Setup** to display the window for setting up your printer.



- From this window you select buttons that let you control a wide variety of printer setup parameters. This manual does not include any information about how to do this because everything you need to know is included in an on-line manual that tells you how to use all the buttons and menus that appear. To view the on-line manual, click on the **Help** button.
- After the printer is set up the way you want it, click on **OK**.
- Click on the **Close** button in the Printers window to save your setup and return to the Program Manager.

Note:

*Depending on the application software you are using, settings similar to those in the above procedure can be made using the **Print Setup** command of the File menu instead of the Control Panel.*

Printing a document

The following Print window appears when you select the **Print** command of the File menu of your Windows application.



Note:

The actual appearance of the Print window may differ somewhat depending on the application you are using.

Use this window to specify the range of the pages to be printed, the quality of the printing (in dots per inch), and the number of copies you want to print. Note also that there are boxes that you can select to specify printing to a file or collating (printing from back to front).

You can change the printer setup by clicking on the **Setup** button. When you do, the following window for setting up your printer appears on the display.

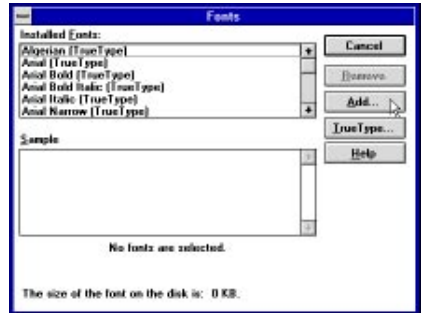


Make changes by clicking on the appropriate radio button or highlighting your selection on the appropriate pull-down menu.

Installing TrueType fonts

The TrueType fonts that are supplied on one of the 3.5" floppy disks that come with the printer can be used only when you are running Windows 3.1 or later. Use the following procedure to install the fonts.

- Launch Windows.
- Close any applications that may be open.
- Open the Windows Control Panel.
- Double-click the **Fonts** icon and the Fonts dialog box appears.
- Click **Add** and the Add Fonts dialog box appears.



- Insert the disk that contains the fonts into one of your computer's disk drives. This explanation assumes you are using a drive named "A:", but you could use any drive. Just remember to change the "A:" in the following steps to the name of the drive you are using.
- Select the drive letter that represents where the floppy disk is installed. When you do, the names of all the fonts on the disk appear in the List of Fonts window. Select the fonts you want to install by clicking on their names. If you want to install all of the fonts, click **Select All**.
- Click **OK**. The Fonts dialog box appears and installation is performed. The names of the newly installed fonts are automatically added to the Installed Fonts list.
- If you were in an application program when you installed the new fonts, you will need to select **Printer Setup** from the application's File menu and reselect the printer. After that, the application can display on-screen text and print text on the printer using the newly installed fonts.

Selecting fonts in Windows applications

Refer to the manual of the application you are using for details on how to select fonts within that application.

In addition to the Windows fonts, you can also use the TrueType fonts that come with this printer.

Chapter 6: Using the printer with Windows 95

This chapter describes how to use the printer with Microsoft Windows 95. The following topics are covered:

- Setting up the printer in Windows 95
- Preparing for printing
- Printing a document
- Installing the TrueType fonts

Note:

The file “readme.txt” on the floppy disk contains any late-breaking information that has been made available since this manual was printed.

Setting up the printer in Windows 95

To use the printer with Windows 95, you need to install a file known as the printer driver onto your computer. This file is supplied on the floppy disk that comes with the printer.

The following description assumes that you are using a mouse (“click” and “double-click” refer to the action of using the mouse to point at an item with the on-screen pointer, and then clicking either once, or twice in quick succession).

To install the printer driver under Windows 95, use the following steps:

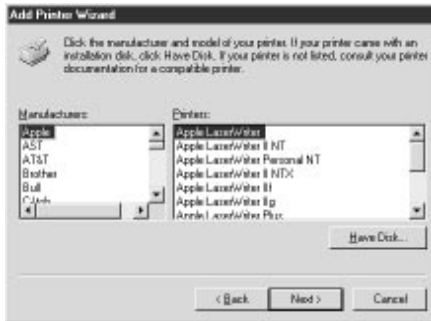
- Turn on the printer and start up your computer.
- Click on the **Start** button in the bottom lefthand corner of the screen.
- Select **Settings**.
- Release the mouse button on **Printers**.
- Double-click on the **Add Printer** icon in the **Printers** window.



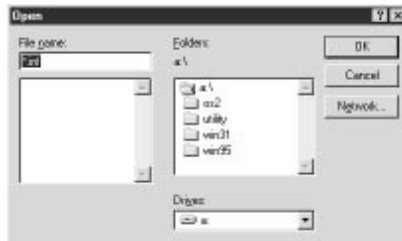
- Click on the **Next** button.



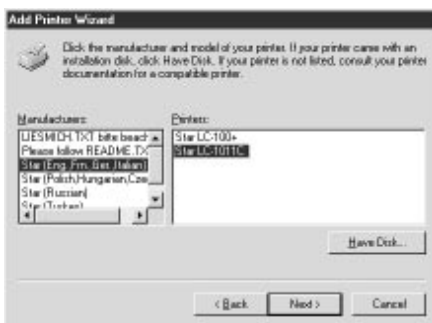
- ❑ When the above window is displayed, make sure the **Local printer** radio button is checked. Then click on the **Next** button twice, and click on the **Back** button.



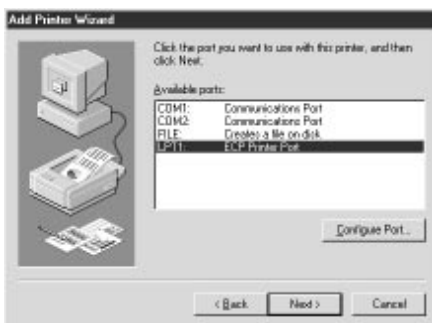
- ❑ Click on the **Have Disk** button.
- ❑ Insert the disk with the printer driver file on it into the floppy disk drive. Make sure that the drive's name ("A:" or "B:") is displayed in the field named *Copy manufacturer's files from:*. To select a drive name, click on the arrow by the side of the field and select the drive from the list that appears.
- ❑ Click on the **Browse** button. A list of folders on the floppy disk is displayed.



- ❑ Select "WIN95" (either by double-clicking on it or by clicking on it and clicking on the **OK** button).
- ❑ Click on the **OK** button twice.



- Select the language or language group you want to use by clicking on it.
- Select the printer model name (“Star LC-1011C” or “Star LC-100+”) by clicking on it and then click on the **Next** button.



- Select the printer port to which the printer is connected by clicking on it (usually “LPT1”). Click on the **Next** button.



- Change the printer name if you want. If you have previously installed another printer, you must select whether you want the new printer to be the default printer. Click on the appropriate radio button.

Note:

Windows applications always print to the currently selected default printer, unless the user chooses a different printer from within the application.

- Click on the **Next** button.
- Select whether to print out a test page by clicking on the appropriate radio button.
- Click on the **Finish** button.
- If a message appears requesting you to insert the Windows 95 CD-ROM, insert it into the CD-ROM drive and click on the **OK** button.
- If a message appears saying that the printer driver file *LC1011C.DRV* or *LC100P.DRV* cannot be found on the Windows 95 CD-ROM, click on the **Browse** button, select the floppy disk drive's name ("A:" or "B:"), click on "WIN95" in the list of directories and click on the **OK** button (or double-click on "WIN95").
- Click on the **OK** button.

This concludes the printer set-up.

Preparing to print

Often you can simply select the **Print** command in the application you are using, click the **OK** button, and your document will be printed out. However, sometimes you may need to change certain settings beforehand, such as the default printer, which port a printer uses, which printer driver it uses, the paper size, the paper source etc.

Settings are made by checking radio buttons, entering numbers into fields or by clicking on the arrow by the side of a field and selecting an option from the list that appears. All these settings, and how to make them, are fully explained in the *Microsoft Windows 95 User's Guide*.

Some settings, e.g. paper size and paper source, can be made within an application when you select the **Print** command (see the next section: *Printing a document*). However, settings made within an application only affect printing from that application.

To change the default printer and to make general settings that will apply to any application, proceed as follows:

- Click on the **Start** button in the bottom lefthand corner of the screen.
- Select **Settings**.
- Release the mouse button on **Printers**.



- ❑ Double-click on the icon bearing the name of the printer (*Star LC-1011C* or *Star LC-100+*) in the **Printers** window. A window appears listing any documents that are currently being printed on the printer.
- ❑ Click on the **Printer** menu.
- ❑ To set the printer as the default printer, click on the **Set As Default** command so that a tick mark appears in the check box. This denotes that the selected printer is the default printer.
- ❑ Click on the **Printer** menu and click on the **Properties** command.



- ❑ Click on any of the five index-card type buttons and change the parameter settings as you require. For a detailed explanation of any of the settings, click on the “?” button on the top right of the window and then click on the relevant parameter field. Click once more to clear the help message from the screen.

Note:

***Paper, Graphics and Device option** settings can also be made when you select the **Print** command in an application. However, settings made within an application only apply to printing from that application.*

- ❑ Click on the *Close* (X) button on the top right of the **Properties** window.
- ❑ Click on the *Close* (X) button on the top right of the printer’s window

This concludes the printing preparation. The printer which you selected is now the default printer, and the page size, paper source setting and any other settings which you made for the printer, apply to printing from all applications. To override these settings for a specific application, refer to the next section, *Printing a document*.

Printing a document

Windows 95 applications always print to the currently selected default printer. If you want to change the default printer, refer to the previous section, *Preparing to print*.

To print from any Windows 95 application, proceed as follows:

- Click on the application's **File** menu.
- Click on the **Print** command.

Note:

The actual appearance of the Print window may differ somewhat depending on the application you are using.

- If you do not want to use the default printer, select a different printer by clicking on the arrow by the side of the *Name* field and selecting one from the list that appears.
- Click on the **Properties** button.
- If you want to change any of the printing settings, for example paper size, orientation or paper source, click on the appropriate index card-type button (**Paper**, **Graphics** or **Device options**) and change the parameter settings as you require.
For a detailed explanation of any of the settings, click on the **?** button on the top right of the window and then click on the relevant parameter field. Click once more to clear the help message from the screen.
Changes you make here apply only to printing from the current application
- Click on the *Close* (X) button on the top right of the window.



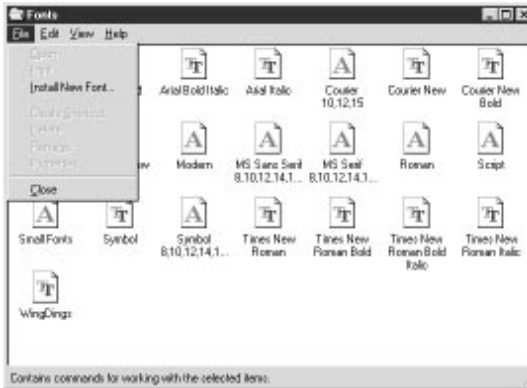
- Select how many copies of the document will be printed by entering the appropriate number into the Number of copies field. If you want to print all the pages in your document, make sure that the All radio button is checked. If you do not want to print all the pages in your document, enter the first and last pages to print into the from and to fields.
- If you want the output to be collated (each copy automatically sorted into page order) or if you want to print to file (instead of a print-out, a graphic file of the print-out is saved on disk), check the appropriate radio button.
- Click on the **OK** button.

Your document will now be printed out.

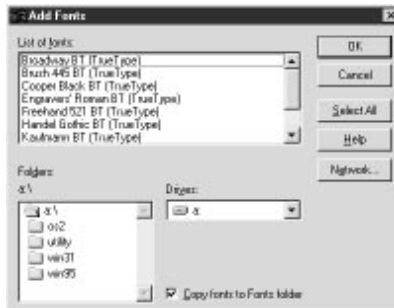
Installing TrueType fonts

To install the TrueType fonts that are on the floppy disk accompanying this printer, follow the procedure below.

- Insert the disk in your computer's floppy disk drive.
- Click on the **Start** button in the bottom lefthand corner of the screen.
- Select **Settings**.
- Release the mouse button on **Control Panel**.
- Double-click on the **Fonts** folder. The currently-installed font files are displayed.
- Click on the **Files** menu.



- Click on the **Install New Font...** command.
- Display the drive's name ("A:" or "B:") in the *Drives* field. To select a drive name, click on the arrow by the side of the field and select the drive from the list that appears. The names of the fonts stored on the disk are displayed in the *List of fonts* window.



- Select the fonts you wish to install by clicking on them. If you want to install all of them, click on the **Select All** button.
- Click on the **OK** button.

The new fonts can now be seen in the **Fonts** folder window. This concludes the font installation.

Chapter 7: Using the Printer with OS/2 Warp

This chapter contains specific information about using the printer with IBM OS/2 Warp. It also shows you how to install the printer driver on your computer so you can control the printer. By reading this chapter, you will learn:

- How to set up for printing with IBM OS/2 Warp
- How to prepare for printing
- How to print a document

Important!

See the “readme.txt” file for important information that became available after this documentation was printed.

Setting up for printing with OS/2 Warp

Before you can use the printer with OS/2 Warp, you must first perform the following procedure to install the printer driver supplied on the 3.5” floppy disk that comes with the printer.

- Start up the OS/2 system.
- Insert the floppy disk that comes with the printer into one of your computer’s disk drives.
- Open the floppy in icon view.
- Double click on the OS2\ENG folder.
- Double click on the STARDM.DR_ file.
- Drag the printer driver whose name matches the name of your printer to the desktop.



Getting ready to print

There are several steps to set up the printer before using it. You must select the printer driver, and specify the source, size, and orientation of the paper. Use the following procedure to make these selections.

Note:

You do not need to select the printer driver and paper specifications each time you print, but only if you want to change any of your previous settings.

- Point to the printer object.
- Click mouse button 2.
- Select **Settings**.
- Select the **Printer driver** tab.
- Point to the printer driver you want to use.
Click mouse button 2.
- Select **Settings** to display the **Properties** window for setting up your printer.
With the **Properties** window, you can click on various buttons to control a wide variety of printer setup parameters. Everything you need to know about these settings is included in an on-line manual that tells you how to use all the buttons and menus that appear on your computer's screen. To view the on-line manual, select **Help**.
- After you get the printer set up the way you want it, select **Save**.

Printing a document

Select the **Print** command in the **File** menu of the application you are using.

Chapter 8: Using the Printer with MS-DOS

This chapter contains information about how to use the printer with applications software running under MS-DOS. In this chapter, you will learn about:

- How to set up for printing with MS-DOS

Setting up for printing with MS-DOS

To print from an application running under MS-DOS, you must first select the printer from within the application. Typically, the program will feature an **INSTALL** or **SETUP** command for selection of printers. Refer to the manual for the application you are using for details on how to select a printer for it.

Note:

Remember that you must select a printer for each individual application before you can print from it.

- Start up the application and use the correct procedure for that application to select a printer. The following is a list of printers that can be used. If your application lists more than one of these, select the printer that is nearest to the top of this list. You should also use the EDS mode or User Setup Utility to select Standard emulation (page 26).

Star LC-1011C / LC-100+ Colour
Star NX-1040 / LC-100 Colour
Star NX-1020 / LC-200 Colour
Epson EX-800
Epson FX-850*
Star NX-1000 / LC-10 Colour

* Does not support color printing.

If none of the printers listed above are available in the application, choose one of the printers listed below. Once again, you should choose the printer that is nearest to the top in the following list. For these printers, you should use the EDS Mode or User Setup Utility to select IBM emulation (page 26).

IBM Proprinter III*
IBM Proprinter II*
IBM Proprinter*

* Does not support color printing.

- To print, follow the instructions given in the manual of the application you are using. Typically, you would select the application's **PRINT** command, make any necessary changes in the window that appears (such as the number of copies to be printed), and then press the **Enter** key to start printing.

Chapter 9: Paper Handling

Your printer is designed to print on a variety of paper types. This chapter tells you everything you need to know about paper, and how to set the printer up for manual paper feed. In this chapter, you will learn about:

- Selecting the best type of paper
- Adjusting for paper thickness
- Manual sheet feeding
- Clearing paper jams

Selecting paper types

Use the following information when selecting paper.

Cut-Sheet Paper (Manual Feed)

Width:	5.5" to 8.5" / 140 to 216mm
Length:	5.5" to 14" / 140 to 356mm
Thickness:	0.00276" to 0.00472" / 0.07 to 0.12mm
Weight:	14 to 24 lbs / 52 to 90g/m ² / 45 to 77 kg

Cut-Sheet Paper (with Optional Automatic Sheet Feeder)

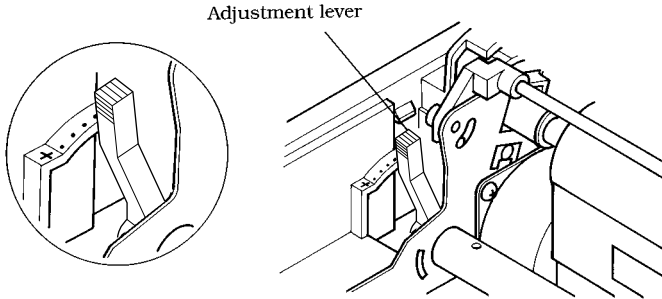
Width:	7.17" to 8.5" / 182 to 216mm
Length:	10.12" to 14" / 257 to 356mm
Thickness:	0.00315" to 0.00472" / 0.08 to 0.12mm
Weight:	16 to 24 lbs / 60 to 90g/m ² / 52 to 77 kg

Fanfold Paper

Width:	4" to 10" / 101.6 to 254mm
Thickness:	0.00276" to 0.00433" / 0.07 to 0.11mm (1-ply) 0.00984" / 0.25mm max. (total thickness of multi-ply)
Weight:	14 to 22 lbs / 52 to 82g/m ² / 45 to 70 kg (one-ply) 11 to 14 lbs / 40 to 52g/m ² / 34 to 45 kg (multi-ply)
Copies:	Original + 2

Adjusting for paper thickness

Paper comes in different weights, normally expressed as gsm (grams per square meter) or lbs (pounds). Some types of forms have multiple pages that make them quite thick. Use the following procedure to change the gap between the print head and the platen and adjust for paper thickness.



- Move the adjustment lever to one of its four settings. Position 2 is most suitable for single-sheet paper.

The following table provides a general guide for setting the adjustment lever. Experiment with different settings until you find the one that gives you the print quality you want.

Paper Type	Weight Per Sheet	Thickness	Recommended Position
Single-sheet	52 gsm to 90 gsm	0.07 to 0.12mm	2 or 3
Multi-part	2-ply	40 gsm to 52 gsm	2 or 3
	3-ply	40 gsm to 52 gsm	3 or 4

Continuous use of the wrong adjustment lever setting can drastically reduce print head life!

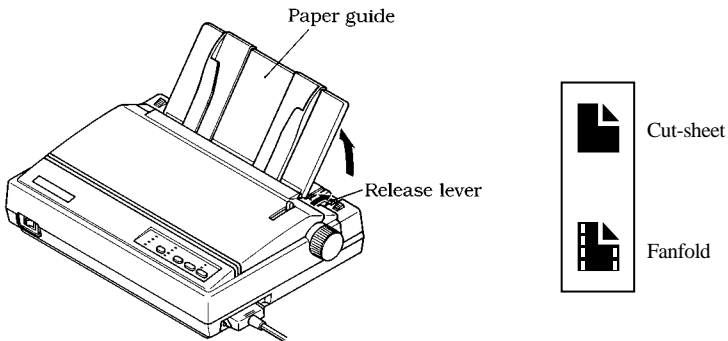
Automatic fanfold feeding

- See “Loading fanfold paper” on page 9 for details on using fanfold paper.

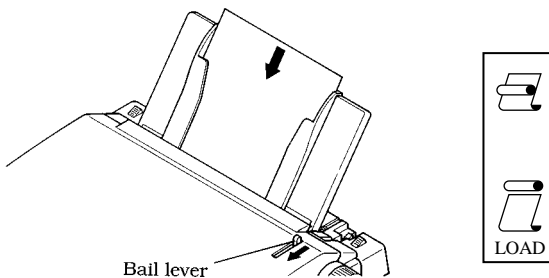
Manual sheet feeding

You can use the following procedure to manually feed single sheets of paper into the printer.

- Make sure that there is no fanfold paper in the printer. If there is, use the procedure under “Parking fanfold paper” on page 13 to park the fanfold paper and prepare for manual sheet feeding.
- Set the release lever to the cut-sheet position.



- Reposition the paper guide so it is standing up and adjust the guides to match the width of the paper.



- Insert a sheet of paper into the paper guide, with the side you want to print on facing the back of the printer. Gently push the paper down into the printer until you feel it stop.
- Pull the bail lever toward the front of the printer. This will feed the paper to the starting position.
- After the paper is fully fed (indicated by the printer's beeping), return the bail lever back to its original position toward the back of the printer.

Important!

Never return the bail lever back to its original position until the paper is fully fed. The printer will beep to let you know when you can return the bail lever to its original position.

- If you want to move the paper to another position, use the micro feed function described under "Micro feed" on page 20.
- Start the printing operation from your software application.

Clearing paper jams

Use the following procedure to clear paper jams from the printer.

- Turn the power off.
- Unplug the printer from its AC power outlet.
- Open the front cover of the printer.
- Carefully try to pull the jammed paper from the printer.

If necessary, change the release lever position or rotate the platen knob to remove the paper.

Chapter 10: Optional Accessories

This chapter explains how to install and use the following optional accessories that are available for this printer:

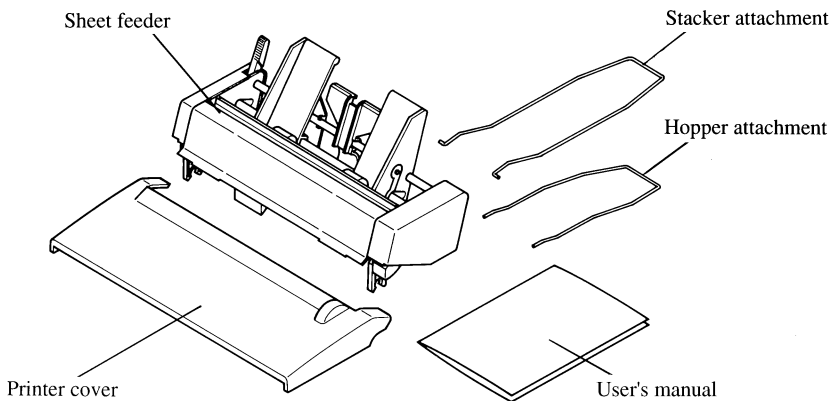
- Automatic Sheet Feeder (SF-10DT)
- Serial-to-Parallel Converter (SPC-8K)

Important!

Always make sure that printer power is turned off whenever installing or removing optional accessories.

Automatic Sheet Feeder (SF-10DT)

The Automatic Sheet Feeder (ASF) makes it possible for you to print on cut-sheet paper. Before actually starting to install the ASF, be sure to check the contents of its package to make sure you have everything.

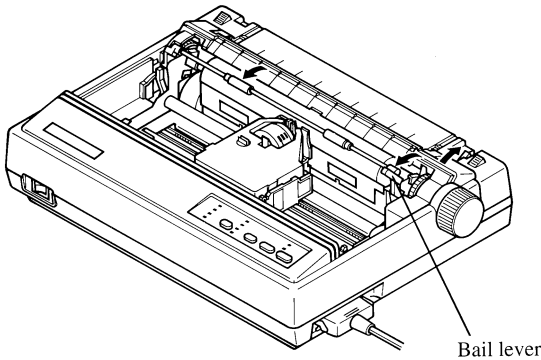


Note:

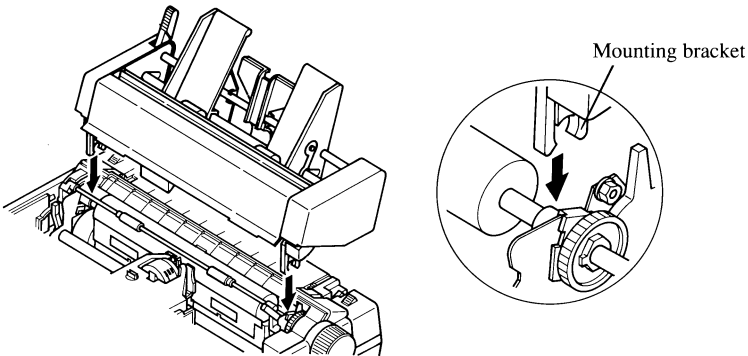
The Automatic Sheet Feeder is protected by packing and tape during shipment. Be sure to remove all protective material and tape before using the ASF.

Installing the Automatic Sheet Feeder

- Use the printer's EDS Mode to change the setting of Bank A Switch 4 to OFF (page 27), which tells the printer that the Automatic Sheet Feeder is installed.
- Open the front cover by lifting up on it while pressing in gently on its sides.
- Pull the bail lever towards the front of the printer.

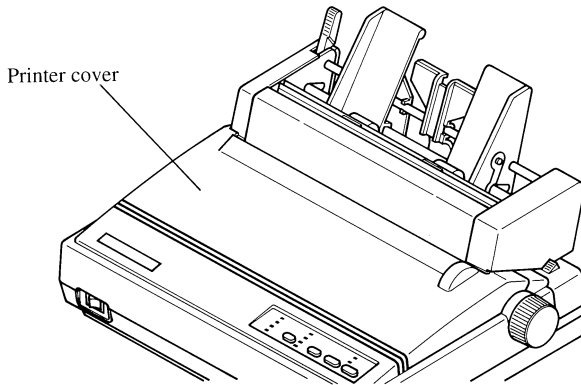


- Lower the Automatic Sheet Feeder into position, making sure that its mounting brackets clasp the shaft of the platen.

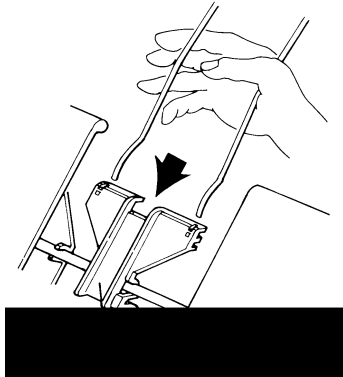


- Check to make sure that the mounting brackets on either side of the Automatic Sheet Feeder are correctly engaged with the printer's mechanism. If the roller inside the Automatic Sheet Feeder will rotate when you turn the printer's platen knob, it means that the mounting brackets are correctly engaged.

- ❑ Install the printer cover that comes with the Automatic Sheet Feeder.



- ❑ Install the hopper attachment as shown below.



- ❑ Install the stacker attachment by squeezing it so its hooked ends can fit into the grooves of the sheet feeder as illustrated below.

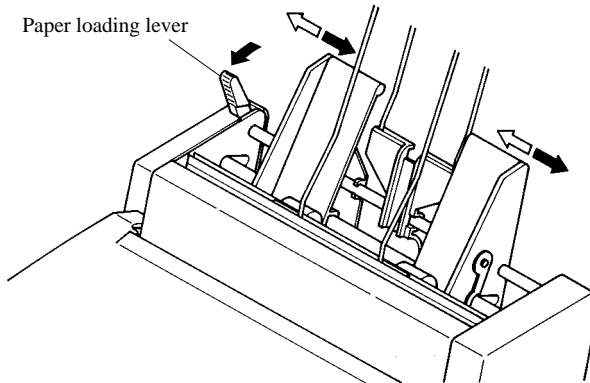
Now you can load paper into the hopper and use the Auto Sheet Feeder for printing.

Important!

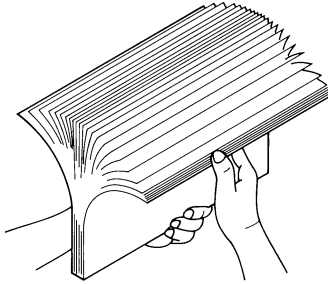
Keep the printer's front cover and paper guide in a safe place in case you need to use them again in the future. To remove the Automatic Sheet Feeder from the printer, simply perform the above procedure in reverse.

Loading Paper

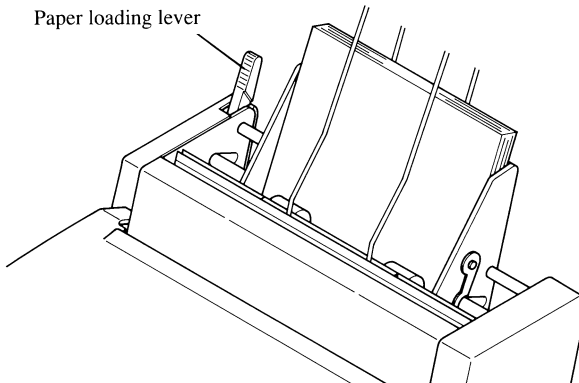
- If fanfold paper is already loaded in the printer, perform the paper parking operation (page 13).
- Set the release lever to the cut-sheet position.
- Pull the Automatic Sheet Feeder's paper loading lever towards the front of the printer.
- Slide the left paper guide to the position you want.



- ❑ Fan a stack of paper and tap its edges to make sure they are all even.



- ❑ Insert the stack of paper into the Automatic Sheet Feeder.
The Automatic Sheet Feeder can hold up to 50 sheets of 20 lb paper, and will not perform correctly if it is overloaded. Remove some paper if you seem to be having problems.
- ❑ Adjust the right paper guide to match the width of the paper you are using.
The paper guides should be adjusted to keep the paper from moving horizontally, while allowing it to slide up and down freely.
- ❑ Push the paper loading lever back to its original position.

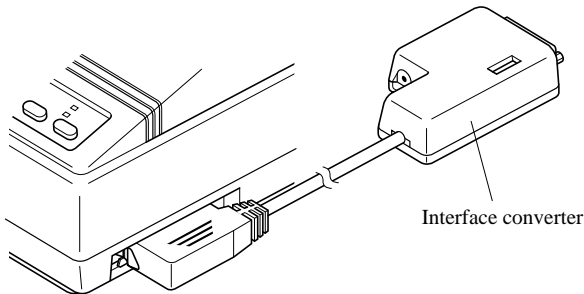


Serial-to-Parallel Interface Converter

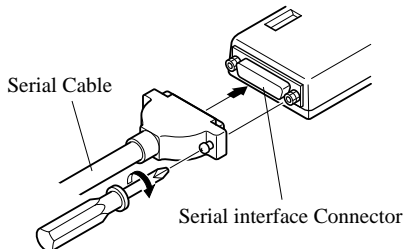
This section describes how to connect and set up the SPC-8K Serial-To-Parallel Interface converter.

Connecting the Interface Converter

- Unplug the printer from its AC power outlet.
- Set the DIP switches on the SPC-8K to the settings you want to use before you connect it to your printer.
See the following section for details on how to set the DIP switches
- Plug the interface converter's Centronics connector into the socket on the side of the printer and secure it in place with the clips.



- Plug one end of a serial cable into the serial interface connector's 25-pin D-TYPE connector.

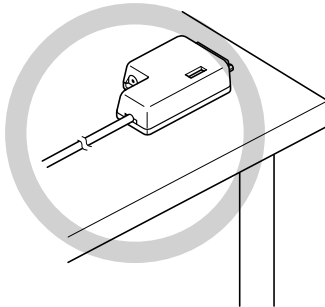


- Plug the other end of the serial cable into your computer's serial ports. Serial ports are usually marked COM1, COM 2, etc. If your computer has only one serial port, it will be marked COM1.

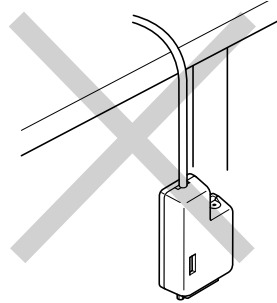
Important!

- ❑ *Make sure that the serial-to-parallel converter is resting on a stable, level surface where it will not be subject to vibration or damage.*

[CORRECT METHOD]



[INCORRECT METHOD]



Setting the converter's DIP switches

You should set the converter's DIP switches so they match the settings you make on your computer. The table to the right shows the parameter that each DIP switch on the serial-to-parallel converter controls.

The tables below show all of the settings you can make with the serial-to-parallel's DIP switches to control certain parameters. The tables also include the matching settings you have to make in your MS-DOS AUTOEXEC.BAT file or with the Ports option of the Windows Control Panel. The highlighted cells in the tables indicate default settings for the serial-to-parallel converter.

Switch	Function
1	Data length
2	Parity
3	Protocol
4	Protocol
5	Parity
6	Baud rate
7	Baud rate
8	Baud rate

Data Length

Switch 1	Data Length	DOS/Windows Setting
ON	8 bits	8
OFF	7 bits	7

Parity

Switch 2	Switch 5	Parity	DOS/Windows Setting
ON	ON or OFF	None	N
OFF	ON	Odd	O
OFF	OFF	Even	E

Protocol

Switch 3	Switch 4	Protocol
ON	ON	DTR
ON	OFF	XON/XOFF
OFF	ON	ETX/ACK

Baud Rate

Switch 6	Switch 7	Switch 8	Baud Rate	DOS/Windows Setting
OFF	OFF	OFF	150 bps	150
OFF	OFF	ON	300 bps	300
OFF	ON	OFF	600 bps	600
OFF	ON	ON	1200 bps	1200
ON	OFF	OFF	2400 bps	2400
ON	OFF	ON	4800 bps	4800
ON	ON	OFF	9600 bps	9600
ON	ON	ON	19200 bps	19200

Appendix A: Troubleshooting

The appendix will provide help if you experience problems with your printer. It tells you how to test the printer, how to check system software settings, and how to adjust the vertical alignment. In addition, there is information on actions to take for specific problems, and on the meanings of printer beep tones.

Warning!

The printer uses high voltage. Do not attempt any other repair or maintenance except as expressly recommended in this appendix. Unauthorized repair and maintenance not only exposes you to the danger of electrical shock, it also may damage your printer and void your warranty.

Testing the printer

There are three different tests you can use: a short test, a long test and a hexadecimal dump.

Short test

- Make sure that paper is loaded in the printer.
- Turn the printer off.
- While holding down the control panel's **ON LINE** button, turn the printer on.

The short test prints the version number of the software contained in the printer's ROM, followed by the current EDS settings of the printer.

Note:

The short test prints across the entire width of the carriage. Make sure that the printer is loaded with the widest paper available in order to avoid damage to the print head and platen.

Long test

- Make sure that paper is loaded in the printer.
- Turn the printer off.
- While holding down the control panel's **PAPER FEED** button, turn the printer on.

The long test prints the title followed by seven lines of text. If you are using a color ribbon, each line of text is printed using a different color. This is followed by continuous printing of the entire character set using each font and pitch available. This sequence is repeated until you stop it by turning power off.

Since this test can generate many lines of text and graphics, it is a good idea to perform this test only when using continuous fanfold paper rather than single sheets.

Note:

The long test prints across the entire width of the carriage. Make sure that the printer is loaded with the widest paper available in order to avoid damage to the print head and platen. Also, the long text should be printed only on fanfold paper.

Hexadecimal dump

This procedure prints in hexadecimal format all codes (character codes and control codes) that are sent to the printer by the computer. The printer does not execute any control codes (such as 0A - linefeed), it just prints them out. The hexadecimal dump is useful when you are writing programs for printer control.

- Make sure that paper is loaded in the printer.
- Turn off the printer.
- While holding down the control panel's **PITCH** and **PAPER FEED** buttons, turn the printer back on to enter the Hex Dump Mode.
- To exit the Hex Dump Mode, first press **ON LINE** to set the printer off-line, and then turn the printer off.

Troubleshooting guide

Use the following table to help track down the causes of problems and to determine the best solution to deal with them.

Problem	Possible Cause	Recommended Action
The ON LINE indicator does not light.	The printer is not receiving power.	Check whether the power cord is correctly plugged into the power outlet.
		Check whether the power outlet is working by unplugging the printer and plugging in another device.
Printer sounds like it is printing, but it is not. Printing is weak.	The ribbon is jammed, twisted, or not set correctly between the print head and the print head shield.	Make sure that the ribbon cassette is installed correctly.
	The printer is not set up correctly for the thickness of paper you are using.	Set up the printer for the paper thickness you are using. See "Adjusting for paper thickness" on page 57.
	The ribbon is worn out or "used up."	Replace the ribbon with a new one.
Printer test works, but printer will not print out data from the attached computer.	Your application program's or system software's printer selection is wrong.	Check the printer selection of your application software.
	The computer's system software is not set up properly for the printer or for the port you are using.	Check the system software settings. Check the settings for LPT1, COM 1, or COM 2 if you are using the SPC-8K Serial Interface.
	The interface cable is connected incorrectly or damaged.	Check to make sure that the printer interface cable is connected correctly. If it is, try a different cable.

Problem	Possible Cause	Recommended Action
Printer does not feed paper properly.	Jamming paper.	Remove all paper from the printer and then reload it.
	The printer is not set up correctly for the thickness of paper being used.	Set up the printer for the paper thickness you are using. See "Adjusting for paper thickness" on page 57.
Line spacing is incorrect.	Jamming paper.	Set up the printer for the paper thickness you are using. See "Adjusting for paper thickness" on page 57.
	The line spacing or leading selected in your application program is wrong.	Choose a different line spacing or leading setting from your application.
	Auto line feed with carriage return is enabled by the EDS setting.	Use the EDS Mode to disable auto line feed with carriage return. See "Switch 4: Auto LF with CR" on page 28.
Lines print over each other.	Auto line feed with carriage return is disabled by the EDS setting.	Use the EDS Mode to enable auto line feed with carriage return. See "Switch 4: Auto LF with CR" on page 28.
	Jamming paper.	Set up the printer for the paper thickness you are using. See "Adjusting for paper thickness" on page 57.

Problem	Possible Cause	Recommended Action
Incorrect number of lines are printed on the page.	Auto line feed with carriage return is enabled by the EDS setting.	Use the EDS Mode to disable auto line feed with carriage return. See “Switch 4: Auto LF with CR” on page 28.
	The line spacing or leading selected by your application program is wrong.	Choose a different line spacing or leading setting from your application.
	Dot adjustment is not correct.	See “Adjusting the dot alignment” on page 70.
Text and graphics are malformed. Print quality is poor.	The ribbon is worn out or “used up.”	Replace the ribbon with a new one.
	The printer is not set up correctly for the thickness of paper being used.	Set up the printer for the paper thickness you are using. See “Adjusting for paper thickness” on page 57.
	The print head is damaged.	Return the printer to your dealer for repair.
Forms are smudged. Printing is too dark.	The printer is not set up correctly for the thickness of paper being used.	Set up the printer for the paper thickness you are using. See “Adjusting for paper thickness” on page 57.
	The ribbon is jammed, twisted, or not set correctly between the print head and the print head shield.	Make sure that the ribbon cassette is installed correctly. See “Installing the ribbon cassette” on page 5.
	Print head shield is damaged or missing.	Return it to your dealer for repair.

Problem	Possible Cause	Recommended Action
Printer case is hot.	The printer's air vents are blocked or obstructed.	Switch off the printer and let it cool. Check the air vents on the bottom of the printer to see if they are blocked. Remove the obstruction if possible. If the problem persists, return the printer to your dealer for repair.
Printer makes excessive noise.	The front cover is removed.	Replace the front cover.
	The printer is vibrating.	Move any objects that are touching the printer. Make sure that the printer is on a level steady surface.
Printer prints past the edge of the paper.	Incorrect margin settings are selected by your application program.	Choose different margin settings from your application program.
	The paper guide is not positioned correctly.	Remove the paper and adjust the position of the paper guide. Reload the paper and try printing again.
	The ribbon is jammed, causing the print head to jam.	Make sure that the ribbon cassette is installed correctly. See "Installing the ribbon cassette" on page 5.
	Paper is jamming, causing the print head to jam.	Remove all paper from the printer and reload it. Try printing again. Set up the printer for the paper thickness you are using. See "Adjusting for paper thickness" on page 57.

Problem	Possible Cause	Recommended Action
Left margin moves to the right during printing.	The paper is not loaded correctly, causing the print head to jam.	Remove all paper from the printer and reload it. Try printing again.
	The ribbon cassette is not installed correctly, causing the print head to jam.	Make sure that the ribbon cassette is installed correctly. See “Installing the ribbon cassette” on page 5.
	The printer is not set up correctly for the thickness of paper being used.	Set up the printer for the paper thickness you are using. See “Adjusting for paper thickness” on page 57.
	Inappropriate settings are selected by your application program.	Choose different settings in your application.
	Static electricity caused by interference from nearby electrical devices or by low-level humidity is affecting printer operation.	Make sure that the printer is not too close to any devices with electric motors or that raise the humidity level.
Some characters are printed incorrectly.	Static electricity caused by interference from nearby electrical devices or by low-level humidity is affecting printer operation.	Make sure that the printer is not too close to any devices with electric motors or that raise the humidity level.
	Inappropriate settings are selected by your application program.	Choose different settings in your application.
	Wires are missing from the print head.	Return the printer to your dealer for repair.

Problem	Possible Cause	Recommended Action
Printer behaves erratically. Printing suddenly stops.	The interface cable is connected incorrectly or damaged.	Check to make sure that the printer interface cable is connected correctly. If it is, try a different cable.
	Static electricity caused by interference from nearby electrical devices or by low-level humidity is affecting printer operation.	Make sure that the printer is not too close to any devices with electric motors or that raise the humidity level.
Automatic Sheet Feeder does not feed paper.	The EDS Mode setting for the Automatic Sheet Feeder is wrong.	Enter the EDS Mode and turn off Switch 4 in Bank A.

Checking system software settings in Windows

Whenever you have problems printing from a Windows application, you should check the following four sthings:

- ✓ Is the printer you are using set as the default printer?
- ✓ Is the drive setup correctly?
- ✓ Is the printer you are using correctly selected in your application?
- ✓ Is the correct port selected?

You should also refer to your *Microsoft Windows User's Guide* for other information that might be helpful. If you still experience problems, consult your software dealer.

To check the default printer selection

- Double-click the **Control Panel** icon in the Main window.
- Double-click the **Printers** icon.
- Check to see that the name of your Star printer is the default printer. If it is not, double-click on the name of your printer in the list of installed printers.
- Click on **Close** to return to the Control Panel window.

To check the application printer selection

- Select **Print** from the application's **File** menu, and a window appears listing available printers.
- Check to see that the name of your Star printer is selected. If it is not, select it and try printing from your application again.

To check the driver Setup

- Double-click the **Control Panel** icon in the Main window.
- Double-click the **Printers** icon.
- Double-click on the name of your Star printer in the list of installed printers.
- Click on **Setup**.
- Check resolution, paper source, etc.
- Click **OK**.
- Click on **Close** to return to the Control Panel window.

To check the port

- Double-click the **Control Panel** icon in the Main window.
- Double-click the **Printers** icon.
- Double-click on the name of your Star printer in the list of installed printers.
- Click on **Connect**.
- Make sure that your printer cable is connected to the port highlighted in the list of ports.
If you are using a parallel cable, you will probably be using LPT1. If you are using the optional serial-to-parallel interface converter, you should be using COM1 or COM2. Click on the correct port name.
- Click **OK**.
- Click on **Close** to return to the Control Panel window.

Checking system software settings in MS-DOS

If you are using a parallel cable and cannot print a text file using the MS-DOS PRINT command, you may have a problem with your AUTOEXEC.BAT file. Open the file and look for the following line:

```
MODE LPT1 :=COM1 or MODE LPT1 :=COM2
```

These lines indicate you are using a serial cable connection, and so you should delete them, save the AUTOEXEC.BAT file, reboot and try printing again.

Of course, if you are having problems printing with the optional serial-to-parallel converter, you should conversely check to make sure that one of the above lines is included in your AUTOEXEC.BAT file. The file must also contain information on parameter settings. For details, see the user's manual that comes with the optional Serial-to-Parallel Interface Converter.

If the above is not the problem or if you make the above changes and still experience problems printing using the MS-DOS PRINT command, refer to your *MS-DOS Users' Guide* or consult your software dealer.

If you are successful in printing using the MS-DOS PRINT command but cannot print from an application, check to see what printer driver is selected in the application. See "Setting up for printing with MS-DOS" on page 54. If this does not help, consult your software dealer.

Appendix B: Specifications

Printing System	Serial Impact Dot-Matrix		
Printing Speed	Pitch	Draft (cps/dpi)	NLQ (cps/dpi)
	Pica (10 cpi)	160/120H	40/240H
	Elite (12 cpi)	192/120H	48/240H
	Condensed pica (17 cpi)	137/240H	69/240H
	Condensed elite (20 cpi)	160/240H	80/240H
	H: half-dot		
Print Direction	Draft:	Bi-directional logic seeking	
	NLQ:	Uni-directional or bi-directional logic seeking (selectable)	
	Bit-Image:	Uni-directional	
Print Head	Number of pins:	9	
	Life:	200 million dots/pin	
Line Spacing	1/6", 1/8" 7/72", n/72", n/216": software		
Font Styles	Draft, NLQ (Courier, Sanserif)		
Character Matrix	Pitch	Draft	NLQ
	Pica (10 cpi)	9 × 11H	18 × 23H
	Elite (12 cpi)	9 × 9H	18 × 19H
	Condensed pica (17 cpi)	9 × 11H	18 × 12H
	Condensed elite (20 cpi)	9 × 9H	18 × 10H
	H: half-dot		
Environment	Operating temperature:	41°F to 95°F (5°C to 35°C)	
	Storage temperature:	-22°F to 149°F (-30°C to 65°C)	
	Operating humidity:	30% to 80% (non-condensing)	
	Storage humidity:	20% to 90% (non-condensing)	
Paper	Cut-sheet (manual feeding)		
	Paper width:	5.5" to 8.5" / 140 to 216 mm	
	Paper length:	5.5" to 14" / 140 to 356 mm	
	Paper thickness:	0.00276" to 0.00472" / 0.07 to 0.12 mm	
	Paper weight:	14 to 24 lbs. / 52 to 90 g/m ² / 45 to 77 kg	
	Cut-sheet (with optional automatic sheet feeder)		
	Paper width:	7.17" to 8.5" / 182 to 216 mm	
	Paper length:	10.12" to 14" / 257 to 356 mm	
	Paper thickness:	0.00315" to 0.00472" / 0.08 to 0.12 mm	
	Paper weight:	16 to 24 lbs. / 60 to 90 g/m ² / 52 to 77 kg	

Fanfold (with push tractor feeder)

	Paper width:	4" to 10" / 101.6 to 254 mm
	Paper thickness:	0.00276" to 0.00433" / 0.07 to 0.11 mm (one-ply) 0.00984" / 0.25 mm max. (total thickness of multi-ply paper)
	Paper weight:	14 to 22 lbs. / 52 to 82 g/m ² / 45 to 70 kg (one-ply) 11 to 14 lbs. / 40 to 52 g/m ² / 34 to 45 kg (multi-ply)
	Copies:	Original + 2
Emulation (AEC)	Standard Mode:	EPSON ESC/P (9-pin)
	IBM Mode:	Proprinter III
Interface	Standard:	Centronics parallel
	Option:	RS-232C serial
Ribbon Type	On-carriage, dedicated Color ribbon (standard) Fabric monochrome ribbon (option)	
Ribbon Life	Color ribbon (LC9CL): 0.5 million characters (draft pica, black) Fabric monochrome ribbon (LC9HD): 1 million characters (draft pica) Long-life fabric monochrome ribbon (LC9W): 2.5 million characters (draft pica)	
Dimensions and Weight	Width:	15.59" / 396 mm
	Depth:	11.85" / 301 mm
	Height:	4.72" / 120 mm
	Weight:	11.5 lbs. / 5.2 kg
Power Supply	110V AC ±10%, 120V AC ±10%, 230V AC +6%/-14%, 240V AC ±10%; 50/60Hz (depending on country of purchase)	
Power Consumption	34W during ASCII draft printing 8W during stand-by	
Options	SF-10DT Single-bin Automatic Sheet Feeder SPC-8K Serial-To-Parallel Converter	

Appendix C: Interface Pin Outs

Parallel Interface

Pin	Name	Function
1	STROBE	Goes low for $\geq 0.5\mu\text{s}$ when active.
2	DATA0	These signals represent information for the 1st through 8th bit of parallel data, respectively. Each signal is HIGH when data is logical 1, and LOW when logical 0.
3	DATA1	
4	DATA2	
5	DATA3	
6	DATA4	
7	DATA5	
8	DATA6	
9	DATA7	
10	ACK	10 μs low to acknowledge receipt of data.
11	BUSY	Printer sets line low when ready to receive data.
12	PAPER	High when paper runs out.
13	SELECT	High when printer is on-line.
14-15		Not used.
16	SIGNAL GND	Signal ground
17	CHASSIS	Chassis ground (isolated from signal ground)
18	+5V	+5V DC output from printer
19 - 30	GND	Twisted pair ground return
31	RESET	Printer is reset when this signal goes low.
32	ERROR	Low when printing cannot continue due to error.
33	EXT GND	External ground
34 - 36		Not used

Optional Serial Interface

Pin	Name	Function
1	GND	Printer chassis ground
2	TXD	Data from printer
3	RXD	Data to printer
4	RTS	Always space
5	CTS	Space when computer is ready to send data. Printer ignores this signal.
6		Not used.
7	GND	Signal ground
8 - 10		Not used.
11	RCH	Printer sets line to space when ready to receive data. Same signal as Pin 20.
12 - 19		Not used.
20	DTR	Printer sets line to space when ready to receive data.
21 - 25		Not used.

Appendix D: Character Sets

Standard Italic Character Set

	0	1	2	3	4	5	6	7	8	9	A	B	C	D	E	F
0	<NUL>		0	@	P	`	p	à	\$		0	@	P	`	p	
1	<DC1>	!	1	A	Q	a	q	è	ß	!	1	A	Q	a	q	
2	<DC2>	"	2	B	R	b	r	ù	Æ	"	2	B	R	b	r	
3	<DC3>	#	3	C	S	c	s	ò	æ	#	3	C	S	c	s	
4	<DC4>	\$	4	D	T	d	t	ì	ø	\$	4	D	T	d	t	
5		%	5	E	U	e	u	°	ø	%	5	E	U	e	u	
6		&	6	F	V	f	v	£	''	&	6	F	V	f	v	
7	<BEL>	'	7	G	W	g	w	ï	À	'	7	G	W	g	w	
8	<BS > <CAN>	(8	H	X	h	x	í	Ö	(8	H	X	h	x	
9	<HT >)	9	I	Y	i	y	ñ	Û)	9	I	Y	i	y	
A	<LF>	*	:	J	Z	j	z	ñ	ä	*	:	J	Z	j	z	
B	<VT > <ESC>	+	;	K	[k	{	ä	ö	+	;	K	[k	{	
C	<FF>	,	<	L	\	l	!	Ë	ü	,	<	L	\	l	!	
D	<CR>	-	=	M]	m	}	À	É	-	=	M]	m	}	
E	<SO>	.	>	N	^	n	~	á	é	.	>	N	^	n	~	
F	<SI>	/	?	O	_	o		ç	¥	/	?	O	_	o		

International Character Set

The character codes shown in the table are hexadecimal.

Conuntry	23	24	40	58	5A	5B	5C	5D	5E	60	7B	7C	7D	7E	
U.S.A.	#	\$	@	X	Z	[\]	^	~	{		}	~	
FRANCE	#	\$	à	X	Z	°	ç	\$	^	~	é	ù	è	''	
GERMANY	#	\$	\$	X	Z	Ä	Ö	Ü	^	~	ä	ö	ü	ß	
ENGLAND	£	\$	@	X	Z	[\]	^	~	{		}	~	
DENMARK 1	#	\$	@	X	Z	Æ	Ø	Å	^	~	æ	ø	å	~	
SWEDEN	#	¤	É	X	Z	Ä	Ö	Å	Ü	é	ä	ö	å	ü	
ITALY	#	\$	@	X	Z	°	\	é	^	~	ù	à	ò	è	ì
SPAIN 1	£	\$	@	X	Z	í	ñ	¿	^	~	''	ñ	}	~	
JAPAN	#	\$	@	X	Z	[¥]	^	~	{		}	~	
NORWAY	#	¤	É	X	Z	Æ	Ø	Å	Ü	é	æ	ø	å	ü	
DENMARK 2	#	\$	É	X	Z	Æ	Ø	Å	Ü	é	æ	ø	å	ü	
SPAIN 2	#	\$	á	X	Z	í	ñ	¿	é	''	í	ñ	ó	ú	
LATIN AMERICA	#	\$	á	X	Z	í	ñ	¿	é	''	í	ñ	ó	ú	
KOREA	#	\$	@	X	Z	[₩]	^	~	{		}	~	
IRELAND	#	\$	@	Ú	^	[\]	^	~	A	E	O	~	
LEGAL	#	\$	\$	X	Z	°	'	''	π	~	©	®	†	™	

**IBM Character Set #2
Code Page #437 (IBM-PC)**

	0	1	2	3	4	5	6	7	8	9	A	B	C	D	E	F
0	<NUL>			0	@	P	~	p	Ç	É	á	█	⌞	⌚	α	≡
1	<DC1>	!	1	A	Q	a	q	ü	é	æ	í	█	⌞	⌚	β	±
2	<DC2>	"	2	B	R	b	r	é	Æ	ó	█	⌞	⌚	⌚	Γ	±
3	♥ <DC3>	#	3	C	S	c	s	â	ô	ú	█	⌞	⌚	⌚	π	±
4	♦ <DC4>	\$	4	D	T	d	t	ä	ö	ñ	█	⌞	⌚	⌚	Σ	±
5	♣ \$ %	%	5	E	U	e	u	à	ò	Ñ	█	⌞	⌚	⌚	σ	±
6	♠ &	&	6	F	V	f	v	â	û	⊖	█	⌞	⌚	⌚	μ	±
7	<BEL>	'	7	G	W	g	w	ç	ù	ç	█	⌞	⌚	⌚	τ	±
8	<BS> <CAN>	(8	H	X	h	x	ê	ÿ	ç	█	⌞	⌚	⌚	Φ	±
9	<HT>)	9	I	Y	i	y	è	ÿ	ç	█	⌞	⌚	⌚	Θ	±
A	<LF>	*	:	J	Z	j	z	è	ÿ	ç	█	⌞	⌚	⌚	Ω	±
B	<VT> <ESC>	+ ;	;	K	[k	{	ï	ç	ç	█	⌞	⌚	⌚	δ	±
C	<FF>	, <	<	L	\	l		î	ç	ç	█	⌞	⌚	⌚	ø	±
D	<CR>	- =	=	M]	m	}	ï	ç	ç	█	⌞	⌚	⌚	∅	±
E	<SO>	. >	>	N	^	n	~	ÿ	ç	ç	█	⌞	⌚	⌚	ε	±
F	<SI>	/ ?	?	O	_	o		ÿ	ç	ç	█	⌞	⌚	⌚	∩	±

**Code Page #850
Multi-lingual**

Other characters are the same as those for Code Page #437

	8	9	A	B	C	D	E	F
0	Ç	É	á	█	⌞	ð	ó	-
1	ü	æ	í	█	⌞	ð	ó	±
2	é	Æ	ó	█	⌞	ð	ó	=
3	â	ô	ú	█	⌞	ð	ó	±
4	ä	ö	ñ	█	⌞	ð	ó	±
5	à	ò	Ñ	█	⌞	ð	ó	±
6	â	û	⊖	█	⌞	ð	ó	±
7	ç	ù	ç	█	⌞	ð	ó	±
8	ê	ÿ	ç	█	⌞	ð	ó	±
9	è	ÿ	ç	█	⌞	ð	ó	±
A	è	ÿ	ç	█	⌞	ð	ó	±
B	ï	ç	ç	█	⌞	ð	ó	±
C	î	ç	ç	█	⌞	ð	ó	±
D	ï	ç	ç	█	⌞	ð	ó	±
E	ÿ	ç	ç	█	⌞	ð	ó	±
F	ÿ	ç	ç	█	⌞	ð	ó	±

**Code Page #852
Latin-2**

Other characters are the same as those for Code Page #437.

	8	9	A	B	C	D	E	F
0	Ç	É	á	█	⌞	đ	ó	-
1	ü	æ	í	█	⌞	đ	ó	±
2	é	Æ	ó	█	⌞	đ	ó	±
3	â	ô	ú	█	⌞	đ	ó	±
4	ä	ö	ñ	█	⌞	đ	ó	±
5	à	ò	Ñ	█	⌞	đ	ó	±
6	â	û	⊖	█	⌞	đ	ó	±
7	ç	ù	ç	█	⌞	đ	ó	±
8	ê	ÿ	ç	█	⌞	đ	ó	±
9	è	ÿ	ç	█	⌞	đ	ó	±
A	è	ÿ	ç	█	⌞	đ	ó	±
B	ï	ç	ç	█	⌞	đ	ó	±
C	î	ç	ç	█	⌞	đ	ó	±
D	ï	ç	ç	█	⌞	đ	ó	±
E	ÿ	ç	ç	█	⌞	đ	ó	±
F	ÿ	ç	ç	█	⌞	đ	ó	±

**Code Page #860
Portuguese**

Other characters are the same as those for Code Page #437.

	8	9	A	B	C	D	E	F
0	Ç	É	Á	⋮	Ł	ł	α	≡
1	Û	È	Í	⋮	ł	ł	β	±
2	é	Ê	Ó	⋮	ł	ł	Γ	≥
3	â	ô	Ú	⋮	ł	ł	π	≤
4	ã	õ	Ń	⋮	ł	ł	Σ	∞
5	à	ò	Ñ	⋮	ł	ł	σ	∫
6	À	Ù	â	⋮	ł	ł	μ	+
7	ç	ù	ë	⋮	ł	ł	τ	≈
8	ê	í	î	⋮	ł	ł	φ	°
9	É	Ë	Ï	⋮	ł	ł	θ	•
A	è	Û	Ĵ	⋮	ł	ł	Ω	-
B	í	ç	½	⋮	ł	ł	δ	√
C	ô	£	¼	⋮	ł	ł	ø	∩
D	ì	Û	ı	⋮	ł	ł	∅	²
E	À	Ŕ	«	⋮	ł	ł	ε	■
F	À	Ó	»	⋮	ł	ł	∩	

**Code Page #861
Icelandic**

Other characters are the same as those for Code Page #437.

	8	9	A	B	C	D	E	F
0	Ç	É	Á	⋮	Ł	ł	α	≡
1	Û	Æ	Í	⋮	ł	ł	β	±
2	é	Æ	Ó	⋮	ł	ł	Γ	≥
3	â	ô	Ú	⋮	ł	ł	π	≤
4	ã	ö	Á	⋮	ł	ł	Σ	∞
5	à	þ	Í	⋮	ł	ł	σ	∫
6	À	Ù	Ó	⋮	ł	ł	μ	+
7	ç	Y	Ú	⋮	ł	ł	τ	≈
8	ê	ý	Ï	⋮	ł	ł	φ	°
9	É	Ë	Ï	⋮	ł	ł	θ	•
A	è	Û	Ĵ	⋮	ł	ł	Ω	-
B	Ð	ø	½	⋮	ł	ł	δ	√
C	ö	£	¼	⋮	ł	ł	ø	∩
D	þ	Ø	ı	⋮	ł	ł	∅	²
E	À	Ŕ	«	⋮	ł	ł	ε	■
F	À	Ó	»	⋮	ł	ł	∩	

**Code Page #863
Canadian French**

Other characters are the same as those for Code Page #437.

	8	9	A	B	C	D	E	F
0	Ç	É	ı	⋮	Ł	ł	α	≡
1	Û	È	˘	⋮	ł	ł	β	±
2	é	Ê	ó	⋮	ł	ł	Γ	≥
3	â	ô	ú	⋮	ł	ł	π	≤
4	ã	ë	ı	⋮	ł	ł	Σ	∞
5	à	î	ı	⋮	ł	ł	σ	∫
6	À	Ù	ı	⋮	ł	ł	μ	+
7	ç	ù	ı	⋮	ł	ł	τ	≈
8	ê	ı	ı	⋮	ł	ł	φ	°
9	É	Ë	ı	⋮	ł	ł	θ	•
A	è	Û	Ĵ	⋮	ł	ł	Ω	-
B	í	ç	½	⋮	ł	ł	δ	√
C	ô	£	¼	⋮	ł	ł	ø	∩
D	ì	Û	ı	⋮	ł	ł	∅	²
E	À	Ŕ	«	⋮	ł	ł	ε	■
F	À	Ó	»	⋮	ł	ł	∩	

**Code Page #865
Nordic**

Other characters are the same as those for Code Page #437.

	8	9	A	B	C	D	E	F
0	Ç	É	Á	⋮	Ł	ł	α	≡
1	Û	Æ	Í	⋮	ł	ł	β	±
2	é	Æ	Ó	⋮	ł	ł	Γ	≥
3	â	ô	Ú	⋮	ł	ł	π	≤
4	ã	ö	Ń	⋮	ł	ł	Σ	∞
5	à	ò	Ñ	⋮	ł	ł	σ	∫
6	À	Ù	â	⋮	ł	ł	μ	+
7	ç	ù	ë	⋮	ł	ł	τ	≈
8	ê	ý	Ï	⋮	ł	ł	φ	°
9	É	Ë	Ï	⋮	ł	ł	θ	•
A	è	Û	Ĵ	⋮	ł	ł	Ω	-
B	í	ç	½	⋮	ł	ł	δ	√
C	ô	£	¼	⋮	ł	ł	ø	∩
D	ì	Û	ı	⋮	ł	ł	∅	²
E	À	Ŕ	«	⋮	ł	ł	ε	■
F	À	Ó	»	⋮	ł	ł	∩	

**Code Page #866
Russian**

Other characters are the same as those for Code Page #437.

	8	9	A	B	C	D	E	F
0	А	Р	а	␣	Л	Ш	р	Ё
1	Б	С	б	␣	␣	Т	с	ё
2	В	Т	в	␣	Т	Т	т	ё
3	Г	У	г	␣	Т	У	у	ё
4	Д	Ф	д	␣	␣	Ф	ф	ї
5	Е	Х	е	␣	␣	Х	х	і
6	Ж	Ц	ж	␣	␣	Ц	ц	у
7	Э	Ч	э	␣	␣	Ч	ч	у
8	И	Ш	и	␣	␣	Ш	ш	°
9	И	Щ	й	␣	␣	Щ	щ	·
A	К	Ъ	к	␣	␣	Ъ	ъ	-
B	Л	Ы	л	␣	␣	Ы	ы	√
C	М	Ь	м	␣	␣	Ь	ь	№
D	Н	Э	н	␣	␣	Э	э	α
E	О	Ю	о	␣	␣	Ю	ю	²
F	П	Я	п	␣	␣	Я	я	■

**Code Page #3840
IBM-Russian**

Other characters are the same as those for Code Page #437.

	8	9	A	B	C	D	E	F
0	А	Р	а	␣	Л	Ш	р	≡
1	Б	С	б	␣	␣	Т	с	±
2	В	Т	в	␣	Т	Т	т	>
3	Г	У	г	␣	Т	У	у	<
4	Д	Ф	д	␣	␣	Ф	ф	⌋
5	Е	Х	е	␣	␣	Х	х	+
6	Ж	Ц	ж	␣	␣	Ц	ц	+
7	Э	Ч	э	␣	␣	Ч	ч	»
8	И	Ш	и	␣	␣	Ш	ш	°
9	И	Щ	й	␣	␣	Щ	щ	·
A	К	Ъ	к	␣	␣	Ъ	ъ	·
B	Л	Ы	л	␣	␣	Ы	ы	√
C	М	Ь	м	␣	␣	Ь	ь	²
D	Н	Э	н	␣	␣	Э	э	²
E	О	Ю	о	␣	␣	Ю	ю	■
F	П	Я	п	␣	␣	Я	я	■

**Code Page #3841
Gost-Russian**

Other characters are the same as those for Code Page #437.

	8	9	A	B	C	D	E	F
0	Ф	Ф	0	ю	п	Ю	П	
1	Ѡ	Ѡ	1	а	я	А	Я	
2	Ѣ	Ѣ	2	б	р	Б	Р	
3	і	і	#	з	ц	Ц	С	
4	ı	ı	⊠	4	д	т	Т	
5	ј	ј	%	5	е	у	У	
6	ж	ж	&	6	ф	ж	Ф	Ж
7	Ѡ	Ѡ	'	7	г	в	Г	В
8	ѡ	ѡ	(8	х	ь	Х	Ь
9	ү	ү)	9	й	ы	Й	Ы
A	ѣ	ѣ	*		и	э	И	Э
B	ѣ	ѣ	+		к	ш	К	Ш
C	ѣ	ѣ	,	<	л	э	Л	Э
D	ч	ч	-	=	м	щ	М	Щ
E	е	е	.	>	н	ч	Н	Ч
F	ѣ	ѣ	/	?	о	ь	О	Ѡ

**Code Page #3843
Polish**

Other characters are the same as those for Code Page #437.

	8	9	A	B	C	D	E	F
0	Ç	E	Z	␣	Л	Ш	α	≡
1	ü	ę	Z	␣	␣	Т	β	±
2	é	ı	ó	␣	Т	Т	Г	π
3	â	ô	ó	␣	Т	Т	т	>
4	ä	ö	ń	␣	␣	Ф	Σ	<
5	à	ç	N	␣	␣	Х	σ	⌋
6	ą	û	z	␣	␣	Ц	μ	+
7	ç	ù	z	␣	␣	Ч	τ	»
8	ê	š	š	␣	␣	Ш	φ	°
9	ë	ö	ı	␣	␣	Щ	θ	·
A	è	ü	ı	␣	␣	Ъ	Ω	√
B	ë	ı	ı	␣	␣	Ы	δ	²
C	ı	ł	ı	␣	␣	Ь	ø	²
D	ć	ŷ	ı	␣	␣	Э	∅	²
E	ń	ś	ı	␣	␣	Ю	ε	■
F	ą	ś	ı	␣	␣	Я	∩	■

**Code Page #3844
CS2**

Other characters are the same as those for Code Page #437.

	8	9	A	B	C	D	E	F
0	Ç	É	á	⋮	Ł	μ	α	≡
1	ü	æ	í	⋮	ł	τ	β	±
2	é	Æ	ó	⋮	ł	τ	Γ	≥
3	ā	ō	ú	⋮	ł	τ	π	≤
4	ä	ö	ñ	⋮	ł	τ	Σ	⌋
5	Đ	Ó	N	⋮	ł	τ	σ	⌋
6	Ť	Ů	Ů	⋮	ł	τ	μ	÷
7	č	ě	š	⋮	ł	τ	τ	≈
8	ě	ý	š	⋮	ł	τ	Φ	°
9	Ě	Ö	ř	⋮	ł	τ	Θ	·
A	L	Ü	ř	⋮	ł	τ	Ω	-
B	I	Š	Ř	⋮	ł	τ	δ	√
C	I	L	š	⋮	ł	τ	ø	²
D	I	Y	š	⋮	ł	τ	∅	²
E	Ā	Ř	«	⋮	ł	τ	ε	■
F	Ā	ř	»	⋮	ł	τ	∩	

**Code Page #3845
Hungarian**

Other characters are the same as those for Code Page #437.

	8	9	A	B	C	D	E	F
0	Ç	É	á	⋮	Ł	μ	α	≡
1	ü	æ	í	⋮	ł	τ	β	±
2	é	Æ	ó	⋮	ł	τ	Γ	≥
3	ā	ō	ú	⋮	ł	τ	π	≤
4	ä	ö	ñ	⋮	ł	τ	Σ	⌋
5	Đ	Ó	N	⋮	ł	τ	σ	⌋
6	Ť	Ů	Ů	⋮	ł	τ	μ	÷
7	č	ě	š	⋮	ł	τ	τ	≈
8	ě	ý	š	⋮	ł	τ	Φ	°
9	Ě	Ö	ř	⋮	ł	τ	Θ	·
A	L	Ü	ř	⋮	ł	τ	Ω	-
B	I	Š	Ř	⋮	ł	τ	δ	√
C	I	L	š	⋮	ł	τ	ø	²
D	I	Y	š	⋮	ł	τ	∅	²
E	Ā	Ř	«	⋮	ł	τ	ε	■
F	Ā	ř	»	⋮	ł	τ	∩	

**Code Page #3846
Turkish**

Other characters are the same as those for Code Page #437.

	8	9	A	B	C	D	E	F
0	Ç	É	á	⋮	Ł	μ	α	≡
1	ü	æ	í	⋮	ł	τ	β	±
2	é	Æ	ó	⋮	ł	τ	Γ	≥
3	ā	ō	ú	⋮	ł	τ	π	≤
4	ä	ö	ñ	⋮	ł	τ	Σ	⌋
5	Đ	Ó	N	⋮	ł	τ	σ	⌋
6	Ť	Ů	Ů	⋮	ł	τ	μ	÷
7	č	ě	š	⋮	ł	τ	τ	≈
8	ě	ý	š	⋮	ł	τ	Φ	°
9	Ě	Ö	ř	⋮	ł	τ	Θ	·
A	L	Ü	ř	⋮	ł	τ	Ω	-
B	I	Š	Ř	⋮	ł	τ	δ	√
C	I	L	š	⋮	ł	τ	ø	²
D	I	Y	š	⋮	ł	τ	∅	²
E	Ā	Ř	«	⋮	ł	τ	ε	■
F	Ā	ř	»	⋮	ł	τ	∩	

**Code Page #3847
Brazil-ABNT**

Other characters are the same as those for Code Page #437.

	8	9	A	B	C	D	E	F
0			°	À	Đ	à	đ	
1			ı	Á	Ñ	á	ñ	
2			ç	Â	Ò	â	ò	
3			£	Ã	Ó	ã	ó	
4			¤	Ä	Ô	ä	ô	
5			¥	Å	Õ	å	õ	
6			:	Æ	Ö	æ	ö	
7			;	Ç	Ç	ç	ç	
8			:	È	Ø	è	ø	
9			;	É	Ú	é	ú	
A			;	Ê	Û	ê	û	
B			;	Ë	Ü	ë	ü	
C			;	«	»	«	»	
D			;	ı	ı	ı	ı	
E			;	ı	ı	ı	ı	
F			;	ı	ı	ı	ı	

Code Page #3848 Brazil-ABICOMP

The other characters are the same as in code page #437.

	8	9	A	B	C	D	E	F
0				ò	í	ò		
1			À	Ó	à	ó		
2			Á	Ô	á	ô		
3			Â	Õ	â	õ		
4			Ã	Ö	ã	ö		
5			Ä	Æ	ä	æ		
6			Ç	Û	ç	û		
7			È	Ú	è	ú		
8			É	Û	é	ü		
9			Ê	Ü	ê	ÿ		
A			Ë	Ý	ë	ý		
B			Ì		ì	ß		
C			Í	£	í	ä		
D			Î	:	î	ö		
E			Ï	\$	ï	ç		
F			Ñ	°	ñ	±		

IBM Special Character Set

The following characters can be printed using the <ESC> ^ command.

	0	1
0	Ø	▶
1	⊖	◀
2	⊕	↕
3	♥	⚡
4	♠	⚡
5	♣	⚡
6	♣	⚡
7	♣	⚡
8	□	↑
9	○	↓
A	⊗	→
B	⊗	←
C	♀	⊥
D	♫	⊕
E	♫	♣
F	♫	▼

Character Set #1

Other characters are the same as those for Character Set #2.

	0	1
0	<NUL>	
1		
2	<DC1>	
3	<DC2>	
4	<DC3>	
5	<DC4>	
6		
7	<BEL>	
8	<BS>	<CAN>
9	<HT>	
A	<LF>	
B	<VT>	<ESC>
C	<FF>	
D	<CR>	
E	<SO>	
F	<SI>	

	8	9
0	<NUL>	
1		
2	<DC1>	
3	<DC2>	
4	<DC3>	
5	<DC4>	
6		
7	<BEL>	
8	<BS>	<CAN>
9	<HT>	
A	<LF>	
B	<VT>	<ESC>
C	<FF>	
D	<CR>	
E	<SO>	
F	<SI>	

Appendix E: Printer Control Codes

This appendix lists the printer's control commands. It gives the name of each control command, along with the applicable emulation mode (Standard, IBM, or Both), and the applicable ASCII code.

Font and Character Set Control Commands

Description	Mode	ASCII Code
Select italic	STD	ESC 4
Cancel italic	STD	ESC 5
Select Character Set #2	Both	ESC 6
Select Character Set #1	Both	ESC 7
Select Draft resident font	IBM	ESC I00H
Select 12 CPI Draft resident font	IBM	ESC I01H
Select NLQ resident font	IBM	ESC I02H
Select Draft resident font	IBM	ESC I03H
Select Draft download font	IBM	ESC I04H
Select 12 CPI Draft download font	IBM	ESC I05H
Select Draft double-strike download font	IBM	ESC I06H
Select NLQ download font	IBM	ESC I07H
Select NLQ italic resident font	IBM	ESC I0BH
Select NLQ italic download font	IBM	ESC I0FH
Select international character set	STD	ESC Rn
Set Code Page	Both	ESC [T
Print characters from all character chart	IBM	ESC \n1 n2
Print one character from all character chart	IBM	ESC ^n
Select NLQ font	STD	ESC kn
Assign character table	STD	ESC (t
Select character table	STD	ESC tn
Select /cancel NLQ print mode	STD	ESC xn

Print Pitch Control Commands

Description	Mode	ASCII Code
Select condensed print	Both	SI
Same as SI	STD	ESC SI
Select one line expanded print	Both	SO
Same as SO	STD	ESC SO
Cancel condensed print	STD	DC2
Set print pitch to pica	IBM	DC2
Cancel one-line expanded print	Both	DC4
Set print pitch to elite	IBM	ESC :
Set print pitch to elite	STD	ESC M
Set print pitch to pica	STD	ESC P
Cancel proportional print	IBM	ESC P00H
Select proportional print	IBM	ESC P01H
Cancel expanded print	Both	ESC W0
Select expanded print	Both	ESC W1
Cancel proportional print	STD	ESC p0
Select proportional print	STD	ESC p1

Top/Bottom Margin and Vertical Tab Commands

Description	Mode	ASCII Code
Advance paper to next vertical tab position	Both	VT
Select VFU channels	STD	ESC / <i>n</i>
Set vertical tab positions	Both	ESC B <i>n</i> ...NULL
Set bottom margin	Both	ESC N <i>n</i>
Cancel bottom margin	Both	ESC O
Set all tabs to power on defaults	IBM	ESC R
Set VFU in a channel	STD	ESC b <i>m</i> ...NULL
Set relative vertical tab positions	STD	ESC e1 <i>n</i>
Set vertical print position to <i>n</i> lines	STD	ESC f1 <i>n</i>

Special Print Mode Commands

Description	Mode	ASCII Code
Set master print mode	STD	ESC !
Cancel underlining	Both	ESC - 0
Select underlining	Both	ESC - 1
Select emphasized print	Both	ESC E
Cancel emphasized print	Both	ESC F
Select double-strike print	Both	ESC G
Cancel double-strike print	Both	ESC H
Select superscripts	Both	ESC S 0
Select subscripts	Both	ESC S 1
Cancel super/subscripts	Both	ESC T
Cancel upperlining	IBM	ESC _ 0
Select upperlining	IBM	ESC _ 1

Bit Image Graphic Commands

Description	Mode	ASCII Code
Select bit image mode	STD	ESC * _m <i>n1 n2</i>
Redefine bit image mode	STD	ESC ? <i>n1 n2</i>
8-pin single-density bit image	Both	ESC K <i>n1 n2</i>
8-pin double-density bit image	Both	ESC L <i>n1 n2</i>
8-pin double-density bit image, double-speed	Both	ESC Y <i>n1 n2</i>
8-pin quadruple density bit image	Both	ESC Z <i>n1 n2</i>
9-pin bit image mode	STD	ESC ^ <i>n0 n1 n2</i>

Form Feed and Related Commands

Description	Mode	ASCII Code
Advance paper to top of next page (form feed)	Both	FF
Return to top line of current page	STD	ESC FF
Set top of form to current position	IBM	ESC 4
Set page length to <i>n</i> inches	Both	ESC C 00H <i>n</i>
Set page length to <i>n</i> lines	Both	ESC <i>cn</i>

Line Spacing Commands

Description	Mode	ASCII Code
Advance paper one line (line feed)	Both	LF
Reverse paper one line	STD	ESC LF
Set line spacing to 1/8"	Both	ESC 0
Set line spacing to 7/72"	IBM	ESC 1
Set line spacing to 1/6"	STD	ESC 2
Execute ESC A	IBM	ESC 2
Set line spacing to $n/216$ "	Both	ESC 3n
Set line spacing to $n/72$ "	STD	ESC An
Define line spacing to $n/72$ "	IBM	ESC An
One time feed of $n/216$ "	Both	ESC Jn
Reverse line feed	IBM	ESC]
Set absolute vertical tab position	STD	ESC f1n
One time reverse feed of $n/216$ "	STD	ESC jn

Download Character Commands

Description	Mode	ASCII Code
Cancel download character set	STD	ESC %0
Select download character set	STD	ESC %1
Define download characters in RAM	STD	ESC &00H
Copy standard ROM font into RAM	STD	ESC :00H n 00H
Define download characters in RAM	IBM	ESC =

Horizontal Print Position Control Commands

Description	Mode	ASCII Code
Move print head to next horizontal tab position	Both	HT
Return print head to left margin (carriage return)	Both	CR
Move print head to absolute horizontal position	STD	ESC \$n1 n2
Add n dot spaces between characters	STD	ESC SPn
Cancel automatic line feed	IBM	ESC 5 00H
Select automatic line feed	IBM	ESC 5 01H
Set horizontal tab positions	Both	ESC Dn...NULL
Set right margin	STD	ESC Qn

Horizontal Print Position Control Commands (Continued)

Description	Mode	ASCII Code
Set left and right margins	IBM	ESC X <i>n1 n2</i>
Move print head to specified horizontal position	STD	ESC \ <i>n1 n2</i>
Justification	STD	ESC a <i>n</i>
Set absolute horizontal tab position	STD	ESC f <i>0n</i>
Set relative horizontal tab position	STD	ESC e <i>0n</i>
Set left margin	STD	ESC l <i>n</i>

Other Commands

Description	Mode	ASCII Code
Sound printer bell	Both	BEL
Move printer head back one space (backspace)	Both	BS
Set printer on line	Both	DC1
Set printer off line	STD	DC3
Cancel line in print buffer	Both	CAN
Delete last character sent	STD	DEL
ASF control	STD	ESC EM <i>n</i>
Cancel MSB control	STD	ESC #
One-line uni-directional printing	STD	ESC <
Set MSB to logical 0	STD	ESC =
Set MSB to logical 1	STD	ESC >
Disable paper out detect	STD	ESC 8
Enable paper out detect	STD	ESC 9
Initialize printer	STD	ESC @
Deselect printer	IBM	ESC Q03H
Cancel uni-directional printing	Both	ESC U0
Select uni-directional printing	Both	ESC U1
Select double or quadruple size	STD	ESC h <i>n</i>
Stop printing	IBM	ESC j
Select print color	STD	ESC r <i>n</i>
Control character height, width, line spacing	IBM	ESC [@
Set initial condition	IBM	ESC [K
Cancel double-high mode	STD	ESC w0
Select double-high mode	STD	ESC w1

Appendix F: Glossary

adjustment lever

Controls the darkness of the printing by adjusting for the thickness of the paper you are printing on.

Centronics cable

Parallel cable normally used to connect the printer to the computer.

control code

A numeric code that instructs the printer to perform an operation. For example, the computer sends the printer a form feed control code (12) to tell it to eject the current page.

Electronic DIP Switch settings

Printer settings that take effect when you switch on the printer. You can change these settings using the control panel.

emulation

Ability of one printer to act like (emulate) another type of printer.

hexadecimal dump

Printout of all character codes and control codes as they are received by the printer, along with their hexadecimal values.

multi-part forms

Forms that consist of more than one sheet. This printer can print on forms that have up to three sheets.

NLQ font

Near letter-quality font.

off-line

Printer mode in which the printer will not accept data or continue printing.

on-line

Printer mode in which the printer is ready to print.

paper parking

Moving fanfold paper into a position that allows printing of cut-sheets without removing the fanfold paper from the printer.

print head

The component of the printer that transfers the image to the paper.

Quiet mode

Mode that reduces printing noise. Also reduces printing speed.

release lever

Releases the paper. This lever must be in the cut-sheet position for cut-sheet paper and in the fanfold position for fanfold paper.

serial-to-parallel interface converter

Option that makes it possible to connect the printer to a computer via a serial interface instead of the standard Centronics parallel interface.

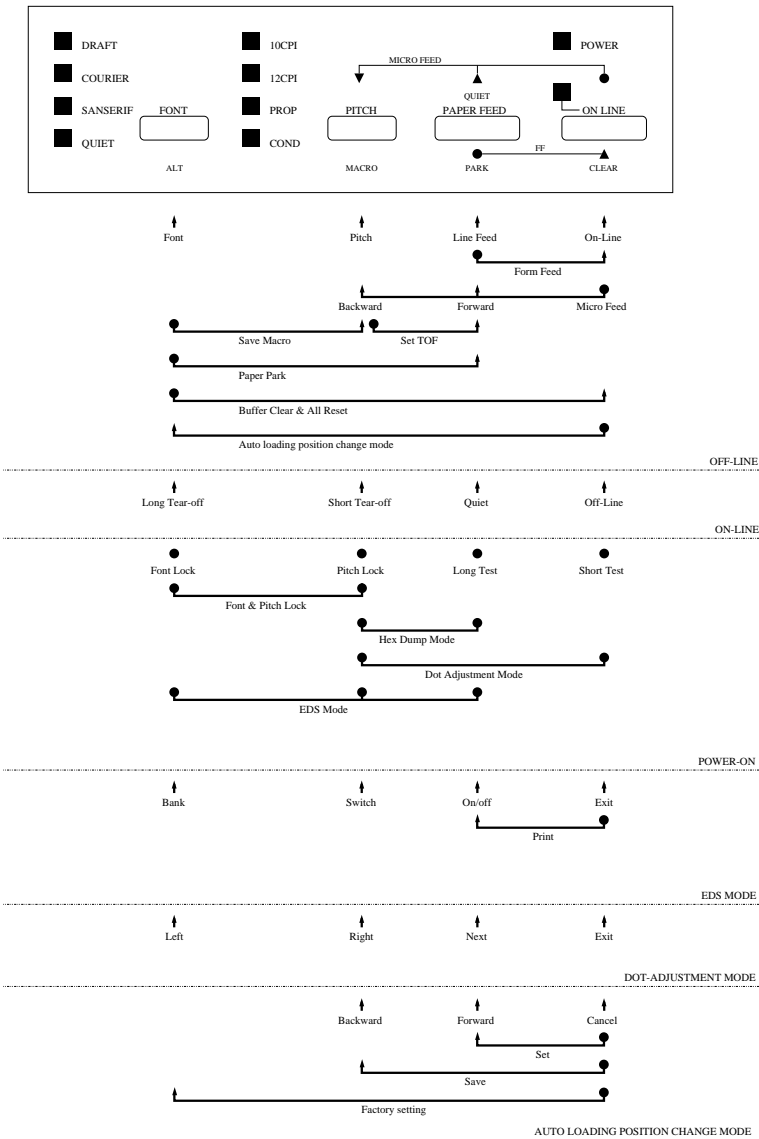
tear-off function

Function that moves fanfold paper to a position where it can be torn off.

tractors

Mechanisms that control the movement of fanfold paper.

Appendix G: Control Panel Operation Guide



Note:

A dot means press and hold and an arrow means to just press. A dot and arrow tied together means hold one while pressing the other.

A

- application printer
 - checking selection 77
- ASF 61
- auto LF with CR 28
- auto tear-off 28
- AUTOEXEC.BAT 66, 78
- Automatic Sheet Feeder 61
 - installing 61
 - loading paper 63
 - paper requirements 64
- automatic sheet feeder 27

B

- bi-directional printing 28

C

- cable
 - port connection 78
- carton contains 2
- Character Set
 - IBM #1 87
 - IBM #2 83
 - IBM Special 87
 - international 82
 - standard 82
- character sets
 - tables 82
- character tables 26
- Code Page
 - Brazil-ABICOMP 87
 - Brazil-ABNT 86
 - Canadian French 84
 - CS2 86

- Gost-Russian 85
- Hungarian 86
- IBM-Russian 85
- Icelandic 84
- Latin-2 83
- Multi-lingual 83
- Nordic 84
- Polish 85
- Portuguese 84
- Russian 85
- Turkish 86

- code page 31
- connecting
 - to your computer 14
- control panel
 - printer 16
- CR centering 27
- cut-sheet paper
 - ejecting 19
 - manual feeding 56
 - specifications 56

D

- default printer 41
 - checking selection 77
- dot alignment 36, 70
- download buffer 27

E

- EDS Mode
 - changing a switch setting 25
 - default settings 24
 - definition 24
 - entering 24
 - exiting 26

- printing current switch
 - settings 26
- selecting a bank 25
- selecting a switch 25
- settings 26
- using 24

eject 19

Electronic DIP Switches 24

emulation 26

F

fanfold paper

- form feed 19
- loading 9
- parking 13, 19
- perforations 12
- printing on 12
- specifications 56
- tear-off function 14, 20
- unparking 13

fonts

- Selecting a font 17
- selecting in Windows 44

form feed 19

front cover

- opening 4

G

glossary 93

H

Help menu 38

hexadecimal dump 69

hopper attachment 60

I

input buffer 27

Interface Converter 2, 65

- connecting 65
- DIP switches 66

interface pin outs

- optional serial interface 81
- parallel interface 81

international character set 31

L

line feed 19

line spacing 28

M

manual sheet feeding 58

micro feed 20

Microsoft Windows

- setting up for 39

MS-DOS

- setting up for printing 54
- system software settings 78

N

NLQ direction 28

NLQ font 32

O

off-line

- switching to 16

ON-LINE

- indicator 16

- on-line
 - switching to 16
- options 60
 - Automatic Sheet Feeder 60
 - Interface Converter 65

- OS/2 Warp
 - getting ready to print 53
 - printing 53
 - setting up for 52

P

- page length 30
- paper
 - automatic feeding 58
 - fanfold 12
 - handling 56
 - micro feed 20
 - recommended print area 12
 - selecting 56
 - setting top of form 20
 - thickness adjustment 57

- paper jams 59

- paper out detector 27

- platen knob
 - installing 4

- port
 - checking 78

- print mode 29

- print pitch 29

- printable area 29

- printing
 - getting ready 41
 - Windows 42

- problems
 - causes and solutions 71

- dark printing 73
- erratic operation 76
- excessive noise 74
- hot printer case 74
- incorrect characters 75
- left margin movement 75
- line spacing 72
- malformed graphics 73
- no automatic sheet feed 76
- no printing 71
- overprinting lines 72
- paper feed 72
- power supply 71
- print quality 73
- printing past paper edge 74
- smudged forms 73
- sudden stoppage 76
- weak printing 71
- wrong number of lines 73

Q

- Quiet Mode 29

R

- RAM usage 27

- ribbon cassette
 - installing 5
 - removing 7
 - taking up slack in 5

- ribbon selection 30

S

- setup
 - printer 1
- stacker attachment 60
- system software settings
 - Windows 77

T

tear-off function 14, 20

test

 long 69

 short 68

test print 9, 68

top of form

 setting 20

troubleshooting 68

 guide 71

TrueType fonts

 installing 43

U

uni-directional printing 28

unpacking 2

User Setup Utility

 Adjust 35

 directory 33

 dot alignment 36

 exiting 38

 Font 35

 General 35

 importing setup data 38

 installing 33

 Paper 35

 Returning to default

 settings 38

 starting 34

W

Windows 3.1

 default printer 42

 getting ready to print 41

 selecting fonts 44

 setting up for 39

Windows 95

 Preparing to print 48

 installing fonts 51

 Setting up 45

Z

zero style 28

Customer service information

If you experience any technical difficulties with your Star printer, please refer to Appendix A How to deal with printing problems. This chapter describes easy methods to diagnose and resolve some of the problems that you may encounter.

For further technical support, you should first contact your Authorized Star Dealer. If you require additional support, Star Micronics offers a wide variety of technical support services. Please use one of the telephone numbers listed below, depending on the country in which your Star printer was purchased.

Star Micronics Technical Hotline:

North America:	1-908-572-3300
United Kingdom:	44-1277-232036
Hong Kong:	852-2795-2335
Australia:	61-2-748-4300
New Zealand:	64-9-570-1470

Star Micronics FaxBack (Document Retrieval) System:

Requires access to a facsimile machine or board with receive capability

North America:	1-908-572-4004
----------------	----------------

Star Micronics Bulletin Board Service:

Requires a computer modem

North America:	1-908-572-5010
United Kingdom:	44-1494-461395
France:	33-1-305807
Germany:	49-69-780929
Netherlands:	31-73-424485
Australia and New Zealand:	61-2-748-2960

Customer response

Star Micronics Co., Ltd. invites your suggestions and comments on your printer and this manual. Please address your correspondence to Attn: Product Manager

Worldwide Headquarters

STAR MICRONICS CO., LTD.
536 Nanatsushinya, Shimizu,
Shizuoka, 424, Japan

North and South America Markets

STAR MICRONICS AMERICA, INC.
70- D Ethel Road West
Piscataway, NJ 08854-5950

European Market

STAR MICRONICS DEUTSCHLAND
GMBH

Westerbachstraße 59
D-60489 Frankfurt
F.R. of Germany

U.K. Market

STAR MICRONICS U.K. LTD.
Star House
Peregrine Business Park
Gomm Road, High Wycombe
Bucks. HP13 7DL, U.K.

Australian Market

STAR MICRONICS PTY. LTD.
Unit A/107-115 Asquith Street,
Silverwater, NSW 2141
Australia

New Zealand Market

STAR MICRONICS (N.Z.) LTD.
64 Lunn Ave. Mount Wellington
P.O. Box 6255, Wellesley St.,
Auckland, New Zealand.

Asian Market

STAR MICRONICS ASIA LTD.
18/F Tower 2, Enterprise Square
9 Sheung Yuet Road, Kowloon Bay, HONG
KONG