

**Installing Options in Your IntelliStation M Pro
Professional Workstation**

**Installing Options in Your IntelliStation M Pro
Professional Workstation**



Note

Before using this information and the product it supports, be sure to read the general information under Appendix D, "Notices" on page 91.

First Edition (April 1997)

The following paragraph does not apply to the United Kingdom or any country where such provisions are inconsistent with local law: INTERNATIONAL BUSINESS MACHINES CORPORATION PROVIDES THIS PUBLICATION "AS IS" WITHOUT WARRANTY OF ANY KIND, EITHER EXPRESS OR IMPLIED, INCLUDING, BUT NOT LIMITED TO, THE IMPLIED WARRANTIES OF MERCHANTABILITY OR FITNESS FOR A PARTICULAR PURPOSE. Some states do not allow disclaimer of express or implied warranties in certain transactions, therefore, this statement may not apply to you.

This publication could include technical inaccuracies or typographical errors. Changes are periodically made to the information herein; these changes will be incorporated in new editions of the publication. IBM may make improvements and/or changes in the product(s) and/or the program(s) described in this publication at any time.

This publication was produced in the United States of America. IBM may not offer the products, services, or features discussed in this document in other countries, and the information is subject to change without notice. Consult your local IBM representative for information on the products, services, and features available in your area.

Requests for technical information about IBM products should be made to your IBM reseller or IBM marketing representative.

© Copyright International Business Machines Corporation 1997. All rights reserved.

Note to U.S. Government Users — Documentation related to restricted rights — Use, duplication or disclosure is subject to restrictions set forth in GSA ADP Schedule Contract with IBM Corp.

Contents

Safety Information	v
Lithium Battery Notice	vi
Laser Compliance Statement	vii
About This Book	viii
How This Book Is Organized	ix
Related Publications	x
Chapter 1. Overview	1
Available Options and Features	2
Tools Required	3
Electrical Safety	4
Handling Static-Sensitive Devices	5
Chapter 2. Preparing to Install and Remove Options	6
Disconnecting Cables and Removing the Cover	6
Locating Components	8
Internal View	8
Input/Output Connectors	9
Drive-Bracket Assembly and Drive-Support Bracket	11
Chapter 3. Working with Options on the System Board	12
Identifying Parts on the System Board	13
Accessing the System Board	14
Removing the Drive-Bracket Assembly	15
Removing the Riser Card	17
Working with System Memory	19
Memory Configuration	20
Installing a DIMM	21
Removing a DIMM	23
Upgrading the Microprocessor	24
Replacing a Microprocessor	25
Chapter 4. Working with Adapters and Internal Drives	32
Adapters and the Riser Card	33
Disabling VGA on The Graphics Adapter	34
Adapter Configuration	37
Plug and Play Adapters	37
Legacy Adapters	38
Installing Adapters	39

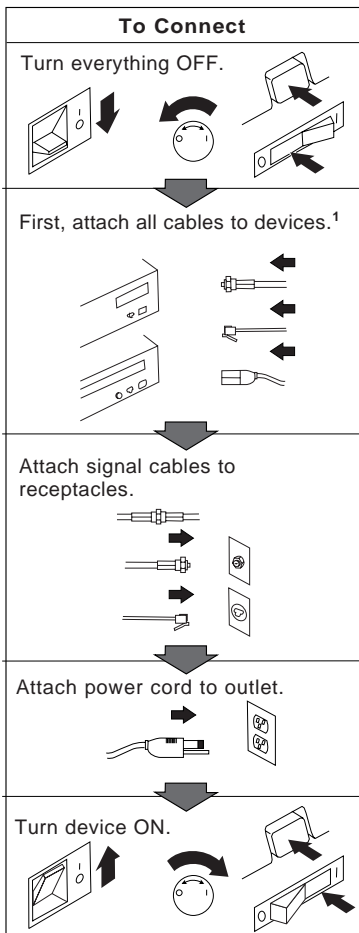
Removing Adapters	41
Internal Drives	43
Drive Specifications	44
Power and Signal Cables	45
Working with Drives in Bays 1, 2, and 3	47
Removing the Drive-Support Bracket	48
Installing a Drive in Bay 1, 2, or 3	50
Removing a Drive from Bay 1, 2, or 3	52
Installing the Drive-Support Bracket	55
Installing a Drive in Bay 4 or 5	57
Removing a Drive from Bay 4 or 5	58
Chapter 5. Working with Security Options	59
Installing a U-Bolt	60
Erasing Lost or Forgotten Passwords	63
Clearing CMOS	65
Setting the Diskette Write-Protect Jumper	68
Chapter 6. Completing the Installation	70
Installing the Riser Card	71
Installing the Drive-Bracket Assembly	72
Replacing the Cover and Connecting the Cables	74
Updating the Computer Configuration	77
Starting the Configuration/Setup Utility Program	78
Changing Settings and Exiting	80
Configuring an ISA Legacy Adapter	81
Configuring Startup Devices	82
Setting Passwords	83
Appendix A. Changing the Battery	84
Appendix B. Installing an Optional Floor Stand	86
Installing the Floor Stand	86
Removing the Floor Stand	89
Appendix C. Interrupt and DMA Resources	90
Appendix D. Notices	91
Trademarks	91
Index	93

Safety Information

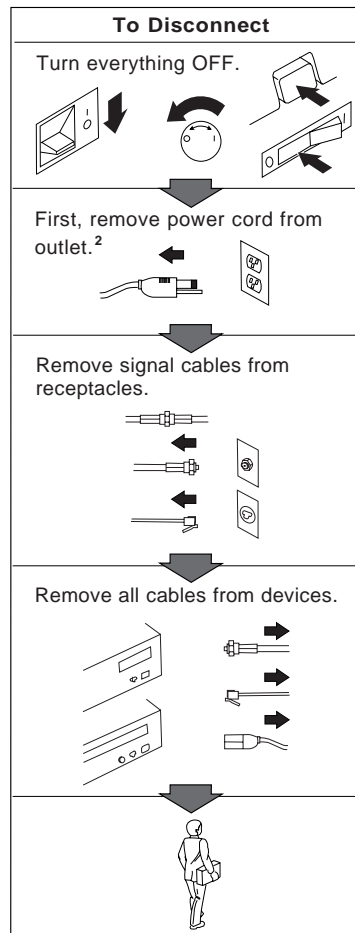


DANGER:

Electrical current from power, telephone, and communication cables is hazardous. To avoid shock hazard, connect and disconnect cables as shown below when installing, moving or opening the covers of this product or attached devices. The power cord must be used with a properly grounded outlet.



¹ In the U.K., by law, the telephone cable must be connected after the power cord.



² In the U.K., by law, the power cord must be disconnected after the telephone line cable.

Lithium Battery Notice

CAUTION:

Danger of explosion if battery is incorrectly replaced.

When replacing the battery, use only IBM Part Number 33F8354 or an equivalent type battery recommended by the manufacturer. The battery contains lithium and can explode if not properly used, handled, or disposed of.

Do not:

- **Throw or immerse into water**
- **Heat to more than 100°C (212°F)**
- **Repair or disassemble**

Dispose of the battery as required by local ordinances or regulations.

ATTENTION

Danger d'explosion en cas de remplacement incorrect de la batterie.

Remplacer uniquement par une batterie IBM de type 33F8354 ou d'un type équivalent recommandé par le fabricant. La batterie contient du lithium et peut exploser en cas de mauvaise utilisation, de mauvaise manipulation ou de mise au rebut inappropriée.

Ne pas :

- **Lancer ou plonger dans l'eau**
- **Chauffer à plus de 100°C (212°F)**
- **Réparer ou désassembler**

Mettre au rebut les batteries usagées conformément aux règlements locaux.

Laser Compliance Statement

Some IBM Personal Computer models are equipped from the factory with a CD-ROM drive. CD-ROM drives are also sold separately as options. The CD-ROM drive is a laser product. The CD-ROM drive is certified in the U.S. to conform to the requirements of the Department of Health and Human Services 21 Code of Federal Regulations (DHHS 21 CFR) Subchapter J for Class 1 laser products. Elsewhere, the drive is certified to conform to the requirements of the International Electrotechnical Commission (IEC) 825 and CENELEC EN 60 825 for Class 1 laser products.

When a CD-ROM drive is installed, note the following.

CAUTION:

Use of controls or adjustments or performance of procedures other than those specified herein might result in hazardous radiation exposure.

Opening the CD-ROM drive could result in exposure to hazardous laser radiation. There are no serviceable parts inside the CD-ROM drive. **Do not open.**

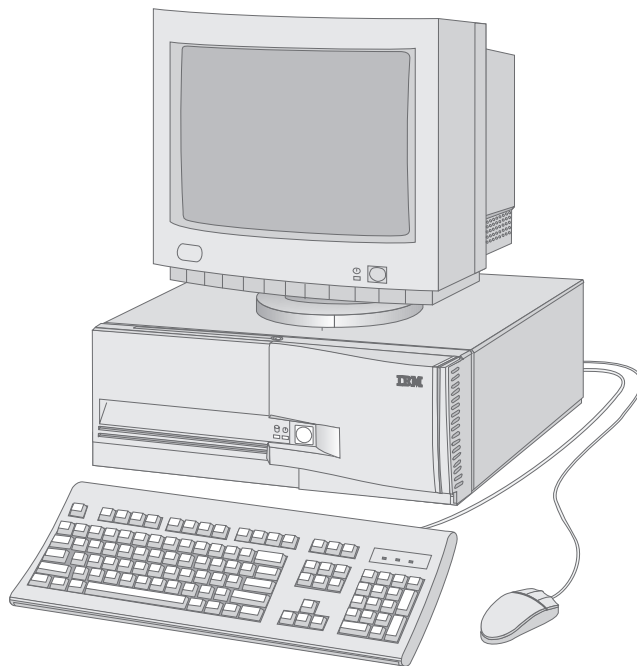
Some CD-ROM drives contain an embedded Class 3A or Class 3B laser diode. Note the following.

DANGER

<p>Laser radiation when open. Do not stare into the beam, do not view directly with optical instruments, and avoid direct exposure to the beam.</p>
--

About This Book

Thank you for selecting an IBM IntelliStation M Pro.



This book provides instructions for installing, removing, and replacing most options. Also, this book contains information to help you decide which options to add to your computer.

Note: The illustrations in this publication might be slightly different from your hardware.

How This Book Is Organized

This book contains the following chapters and appendixes:

- Chapter 1, “Overview” provides an introduction to the options and features for your computer. Safety precautions and handling techniques are discussed along with the required tools you will need to install and remove options.
- Chapter 2, “Preparing to Install and Remove Options” provides instructions for removing the cover and cables for your computer and for locating the components you want to work with.
- Chapter 3, “Working with Options on the System Board” provides instructions for locating, accessing, and working with options on the system board.
- Chapter 4, “Working with Adapters and Internal Drives” provides instructions for installing and removing adapters and drives.
- Chapter 5, “Working with Security Options” describes features such as the security U-bolt and erasing lost or forgotten passwords. Information on write protecting diskettes is also provided.
- Chapter 6, “Completing the Installation” provides instructions for reassembling your computer after you have finished installing options. Information about using the Configuration/Setup Utility program is also provided.
- Appendix A, “Changing the Battery” explains how to change your computer backup battery and the precautions to take when handling and disposing of the battery.
- Appendix B, “Installing an Optional Floor Stand” explains how to install and remove the optional floor stand. Also, an illustration is provided that shows how to secure a CD in a CD-ROM drive when the computer is in a vertical position.
- Appendix C, “Interrupt and DMA Resources” contains the default interrupt and direct memory access (DMA) settings for your computer.
- Appendix D, “Notices” contains IBM notices and trademark information.

Related Publications

The following publications, together with this book, contain information about your computer.

- *Setting Up Your IntelliStationMPro*
This publication contains instructions to help you set up your computer.
- *Using Your IntelliStationMPro*
This publication contains the following:
 - Instructions for configuring, operating, and maintaining your computer
 - Information on diagnosing and solving computer problems and how to get help and service
 - Warranty information
- *Understanding Your Personal Computer*
This online publication (provided only with computers that have IBM-preinstalled software) includes general information about using personal computers and in-depth information about the specific features of your computer. To purchase a printed copy of this publication, refer to the section on ordering publications in the "Getting Help, Service, and Information" chapter in *Using Your IntelliStationMPro*.
- *About Your Software*
This publication (provided only with computers that have IBM-preinstalled software) contains information about the preinstalled software package.
- *S3 TrioV2 Device Driver Installation Instructions*
This online documentation contains instructions for installing device drivers for the S3 TrioV2 video controller.

- *Your Ready-to-Configure CD*

This publication contains information about the *Ready-to-Configure CD* that comes with your computer. The publication also contains instructions for starting the CD.

The following publications contain more information about your computer.

- *Hardware Maintenance Manual*

This separately purchased publication contains information for trained service technicians. To obtain a copy, refer to the section on ordering publications in the "Getting Help, Service, and Information" chapter in *Using Your IntelliStationMPro*.

- *Technical Information Manual*

This separately purchased publication contains information for individuals who want to know more about the technical aspects of their computer. To obtain a copy, refer to the section on ordering publications in the "Getting Help, Service, and Information" chapter in *Using Your IntelliStationMPro*.

Chapter 1. Overview

Adding hardware options to your computer is an easy way to increase its capabilities. Instructions for removing, installing, and replacing options and features are included in this book. When adding an option, use these instructions along with the instructions that come with the option. If you have installed options before, you might be able to perform some activities without detailed instructions.

This chapter provides a brief introduction to the options and features that are discussed in this book. Also, important information about required tools, electrical safety, and static-sensitive devices is discussed.

Important

Before you install or remove any option, read the safety procedures and component-handling guidelines in this chapter. These precautions and guidelines will help you work safely.

Refer to *Using Your IntelliStationMPro* for general information on the use, operation, and maintenance of your computer. *Using Your IntelliStationMPro* also contains information to help you solve problems and get repair service or other technical assistance.

Available Options and Features

The following are some of the available options and features that are discussed in this book:

- System board components
 - System memory, called dual in-line memory modules (DIMMs)
 - Microprocessor upgrades
 - Jumper for diskette-write protection
 - Jumper for clearing CMOS
 - Jumper for erasing lost or forgotten passwords
 - Battery
- Adapters
 - Industry standard architecture (ISA) adapters
 - Peripheral component interconnect (PCI) adapters
- Internal drives
- Security U-bolt
- Floor stand

The following are some other available options and features for your computer. For more information, refer to the documentation that comes with the optional hardware.

- Adding an infrared transceiver allows wireless communication between your computer and other infrared-capable devices. Information about related software is included on the *Ready-to-Configure CD*. For more information on the transceiver, refer to the documentation that comes with it.
- Your computer comes with an integrated Ethernet connector that supports local area network (LAN) wake-up requests, and can be remotely started using *Wake on LAN*. For more information on Wake on LAN, see *Using Your IntelliStationMPro*.
- To help with power management, you can add a modem and have your computer start when a ring is detected by the modem. Using an internal modem, you can use the Configuration/Setup Utility program to enable *Modem Ring Detect*, or using an external modem, you can enable *Serial Port Ring Detect*. For more information, see *Using Your IntelliStationMPro*.

For the latest information about available options:

- Within the United States, call 1-800-IBM-2YOU (1-800-426-2968), your place of purchase, or your IBM reseller.
- Within Canada, call 1-800-565-3344 or 1-800-465-7999.
- Outside the United States and Canada, contact IBM, your place of purchase, or an IBM reseller.

IBM maintains pages on the World Wide Web where you can get information about IBM products and services, find the latest technical information, and download device drivers and updates. Some of these pages are:

http://www.ibm.com	Main IBM home page
http://www.pc.ibm.com	IBM Personal Computer home page
http://www.pc.ibm.com/desktop/	IBM Commercial Desktop home page
http://www.pc.ibm.com/intellistation/	IBM IntelliStation home page
http://www.pc.ibm.com/servers/	IBM PC Server home page
http://www.pc.ibm.com/options/	IBM Options home page
http://www.pc.ibm.com/cdt/cdtrmins.html	Roadmaps and Installing Options

Tools Required

To install or remove options in your computer, you will need a flat-head screwdriver. Any additional tools needed depend on the specific option and are noted in the instructions that come with the option.

Electrical Safety

CAUTION:

Electrical current from power, telephone, and communication cables can be hazardous. To avoid any shock hazard, disconnect all power cords and cables as described in the following information.

For your safety, always do the following *before* removing the cover:

1. Shut down all programs as described in your operating-system documentation.
2. Turn off the computer and any attached devices, such as printers, monitors, and external drives.

Note: Personal computer users in the United Kingdom who have a modem or fax machine attached to their computer must disconnect the telephone line from the computer *before* unplugging any power cords (also known as power cables). When the computer is reassembled, users must reconnect the telephone line *after* plugging in the power cords.

3. Unplug all power cords from electrical outlets.
4. Disconnect all communication cables from external receptacles.
5. Disconnect all cables and power cords from the back of the computer.

Note: Do not reconnect any cables or power cords until you reassemble the computer and put the cover back on.

CAUTION:

Never remove the cover on the power supply. If you have a problem with the power supply, have your computer serviced.

Handling Static-Sensitive Devices

Have you ever walked across a carpeted floor, then touched an object and received a small electrical shock? That's static electricity, and although harmless to you, it can seriously damage computer components and options.

Important

When you add an option, do *not* open the static-protective package containing the option until you are instructed to do so.

When you handle options and other computer components, take these precautions to avoid static electricity damage:

- Limit your movement. Movement can cause static electricity to build up around you.
- Always handle components carefully. Handle adapters and memory-modules by the edges. Never touch any exposed circuitry.
- Prevent others from touching components.
- When you are installing a new option, touch the static-protective package containing the option to a metal expansion-slot cover or other unpainted metal surface on the computer for at least two seconds. This reduces static electricity in the package and your body.
- When possible, remove the option and install it directly in the computer without setting the option down. When this is not possible, place the static-protective package that the option came in on a smooth, level surface and place the option on it.
- Do not place the option on the computer cover or other metal surface.

Chapter 2. Preparing to Install and Remove Options

This chapter provides instructions for accessing and locating the options you want to install or remove.

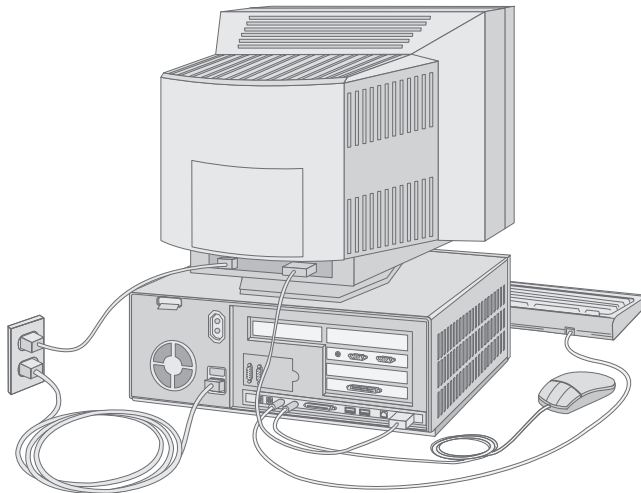
You may also find helpful installation tips on our Web page at <http://www.pc.ibm.com/cdt/cdtrmins.html>.

Disconnecting Cables and Removing the Cover

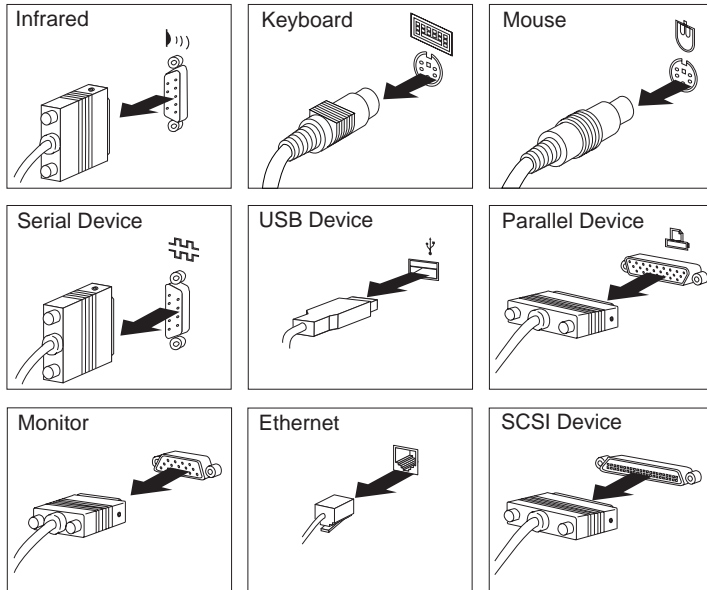
Before you begin

- Read “Electrical Safety” on page 4 and “Handling Static-Sensitive Devices” on page 5.
- Remove any media (diskettes, compact discs, or tapes) from the drives, and then turn off all attached devices and the computer.

- 1** Disconnect all cables attached to the computer; this includes power cords, input/output (I/O) cables, and any other cables connected to the computer. (To disconnect the Ethernet cable, use a small flat-head screwdriver to push up on the connector tab.) The following illustrations show the rear of the computer.

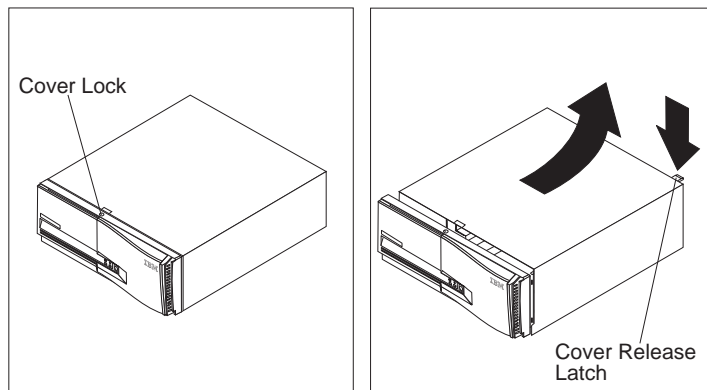


Note: Your computer might differ from the one shown above. For more information on the rear connectors, see *Setting Up Your IntelliStationMPro*.



For more information on ports, including infrared and universal serial bus (USB), refer to *Understanding Your Personal Computer*.

- 2** If necessary, unlock the computer cover.
- 3** Press down and hold the cover release latch, and move the cover back and upward as shown.



Locating Components

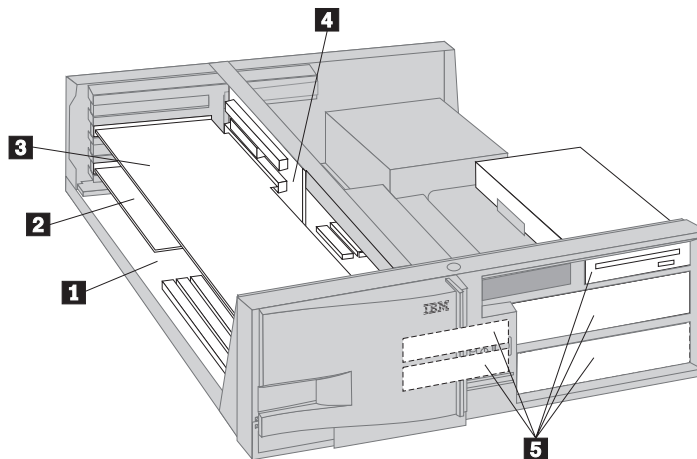
The following information can help you locate components and serves as a reference when you need to install options, connect input/output devices, or distinguish between the drive-bracket assembly and the drive-support bracket.

Internal View

The following illustration shows the internal view of your computer as seen from the front. For information on removing the cover, see “Disconnecting Cables and Removing the Cover” on page 6.

Note: Adapters differ by model. The following illustration is for reference only.

- 1** System board
- 2** SCSI Adapter
- 3** Matrox Video Adapter or Intergraph Video Adapter
- 4** Riser card
- 5** Drive bays



Your computer comes with a diskette drive and a hard disk drive installed in drive bays. If your computer comes with a CD-ROM drive, it is also installed in a drive bay. For more information on drive bays, see “Internal Drives” on page 43.

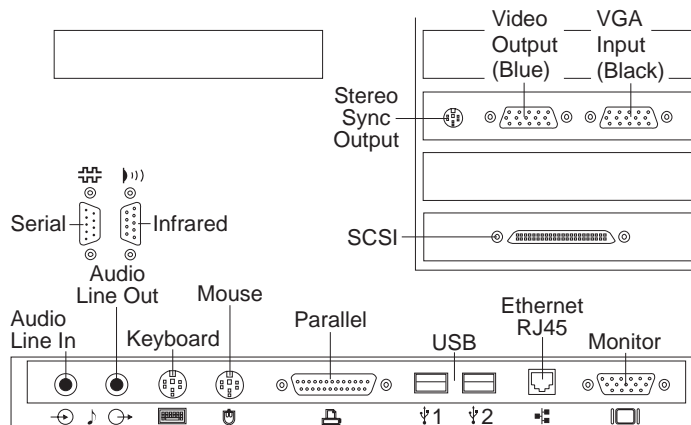
Input/Output Connectors

Input/output (I/O) connectors provide ports for transferring information into and out of your computer. You can connect a variety of I/O devices to your computer, including a monitor, keyboard, mouse, and printer. For more information on the ports and their specific technologies, see *Understanding Your Personal Computer*.

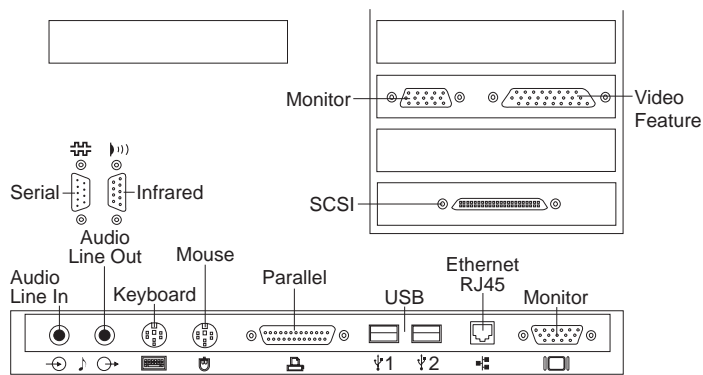
At the rear of your computer is a horizontal panel that provides access to I/O connectors. Adapters installed in expansion slots might also provide I/O connectors. The following illustrations show all the I/O connectors that might come with your computer.

Depending on the model, your computer has a SCSI adapter installed in expansion slot 1, and either a Matrox MGA Millennium graphics adapter or an Intergraph Intense 3D graphics adapter installed in slot 3.

If your computer has a Matrox MGA Millennium video adapter, there are two connectors (one for the monitor and one for video features) located above the I/O connector panel. Normally you will connect the monitor cable to the blue 15-pin connector on the adapter instead of the monitor port on the rear connector panel.



If your computer has an Intergraph Intense 3D video adapter installed, there is one connector located above the I/O connector panel. Normally you will connect the monitor cable to the blue 15-pin port on the adapter instead of the monitor port on the rear connector panel.

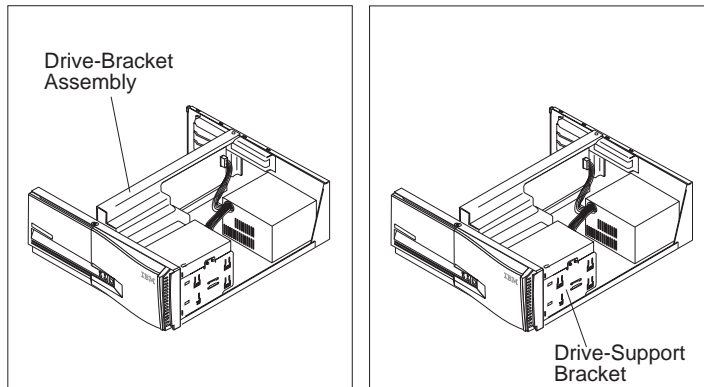


Your computer is equipped with a SCSI adapter. A connector for external SCSI devices is located above the I/O connector panel.

Drive-Bracket Assembly and Drive-Support Bracket

Throughout this book, the *drive-bracket assembly* refers to the metal covering that holds drive bays 4 and 5. The drive-bracket assembly also runs the length of the computer above the riser card and attaches to the rear of the computer.

In contrast, the *drive-support bracket* refers to the metal casing that holds drive bays 1, 2, and 3. If you are viewing the computer from the front with the cover removed, the drive-bracket assembly is located in the middle of the computer, and the drive-support bracket is located at the right-front corner. The following illustrations show the locations of the drive-bracket assembly and the drive-support bracket within your computer.



Chapter 3. Working with Options on the System Board

This chapter provides information about system-board options discussed in this book.

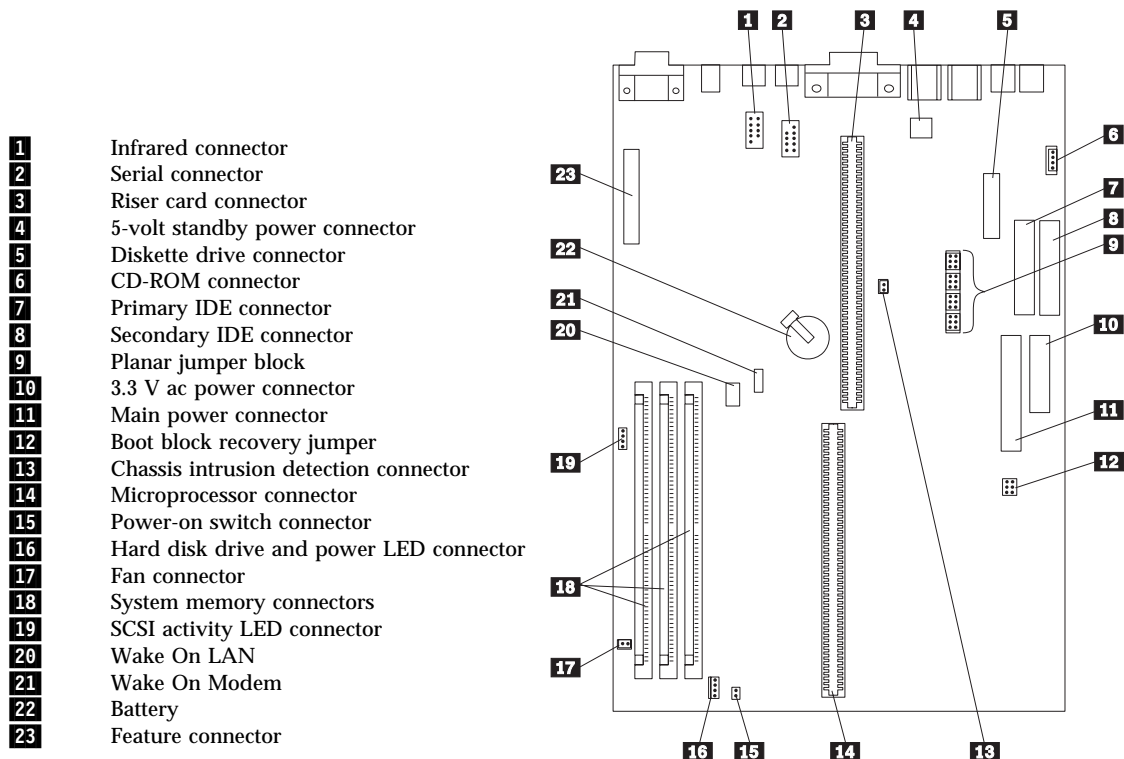
The information in this chapter can help you identify parts on the system board. Also, instructions are provided for accessing the system board. To install some options, you must have access to the system board. For example, to install a new microprocessor, you must remove the drive-bracket assembly that is positioned above the microprocessor socket.

This chapter also provides instructions for installing, removing, and replacing system board components, specifically system memory and the microprocessor. For information on other system board components, see the appropriate section.

Identifying Parts on the System Board

The system board, also called the *planar* or *motherboard*, is the main circuit board in your computer. It provides basic computer functions and supports a variety of devices.

If you plan to install, remove, or replace hardware in your computer, you will need to know the layout of the system board. The following illustration shows the layout of the system board in your computer. The numbered pointers show the components that are discussed in this book.



Note: An illustration of the system board and additional information are on a label attached to the underside of the computer cover.

Accessing the System Board

To access the section of the system board you need to work with, you might have to remove adapters, the riser card, or the drive-bracket assembly that holds drive bays 4 and 5. Also, you might have to remove cables that are attached to the system board. When disconnecting cables, be sure to note where they attach, so you can reattach them later.

The following examples describe when you might need to remove hardware:

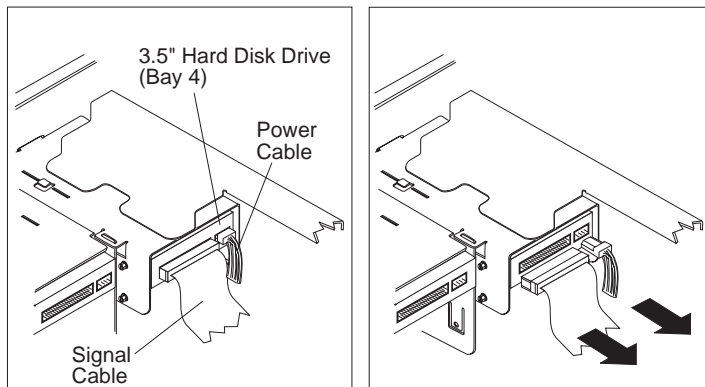
- When working with system memory modules (DIMMs), you might have to remove adapters from the riser card. For instructions on removing adapters, see “Removing Adapters” on page 41. For instructions on removing memory models, see “Removing a DIMM” on page 23.
- When replacing or upgrading the microprocessor, you might have to remove the drive-bracket assembly, the stabilizer clip, and adapters. For instructions, see “Removing the Drive-Bracket Assembly” on page 15 and “Removing Adapters” on page 41. Also, to access the switches for updating the settings for the microprocessor speed, you might have to disconnect cables attached to the system board. For instructions on upgrading the microprocessor, see “Upgrading the Microprocessor” on page 24.
- When replacing the system battery, you might have to remove the drive-bracket assembly, an adapter, and any cables connected to the system board that are in your way. For instructions, see “Removing the Drive-Bracket Assembly” on page 15 and “Removing Adapters” on page 41. Instructions for replacing the battery are in Appendix A, “Changing the Battery” on page 84.
- When changing jumper settings, you might have to remove the drive-bracket assembly and stabilizer clip, the riser card, and any cables connected to the system board that are in your way. For instructions, see “Removing the Drive-Bracket Assembly” on page 15 and “Removing the Riser Card” on page 17. Instructions for the jumpers are in “Setting the Diskette Write-Protect Jumper” on page 68, “Erasing Lost or Forgotten Passwords” on page 63, and “Clearing CMOS” on page 65.

Removing the Drive-Bracket Assembly

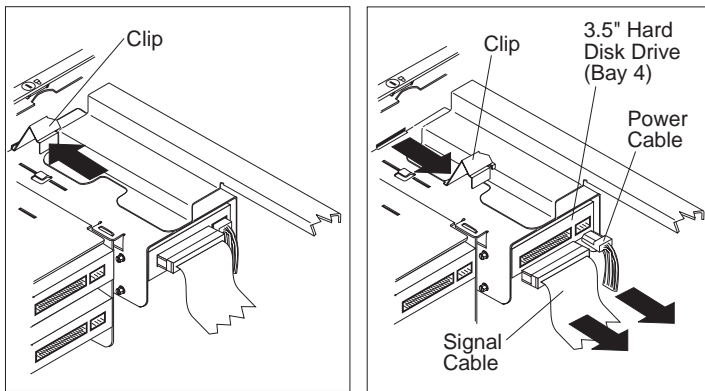
Before you begin

- Read “Electrical Safety” on page 4 and “Handling Static-Sensitive Devices” on page 5.
- Turn off the computer and all other connected devices.
- Disconnect all cables attached to the computer and remove the computer cover (see “Disconnecting Cables and Removing the Cover” on page 6).
- Locate the drive-bracket assembly. For more information, see “Drive-Bracket Assembly and Drive-Support Bracket” on page 11.

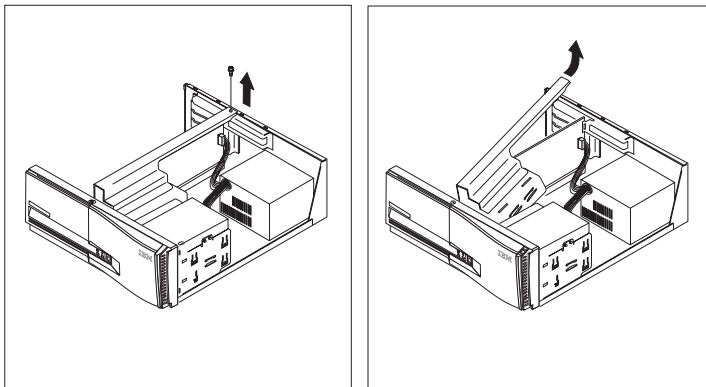
- 1** If a drive is installed in bay 4 or 5, disconnect any cables that are attached. The following illustrations show cables being disconnected from a drive in bay 4.



- 2** At the front of the computer below the cover lock, there is a clip that stabilizes the drive-bracket assembly. Remove the stabilizer clip by pressing in on the tab and lifting it out.



- 3** At the rear of the computer, remove the screw and lift the drive-bracket assembly from the frame of the computer.

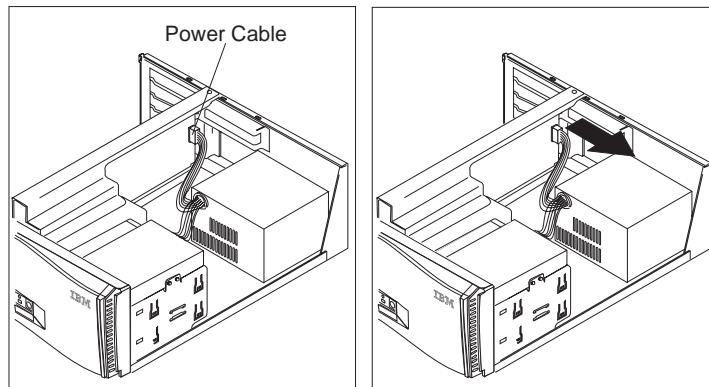


Removing the Riser Card

Before you begin

- Read “Electrical Safety” on page 4 and “Handling Static-Sensitive Devices” on page 5.
- Turn off the computer and all other connected devices.
- Disconnect all cables attached to the computer and remove the computer cover (see “Disconnecting Cables and Removing the Cover” on page 6).

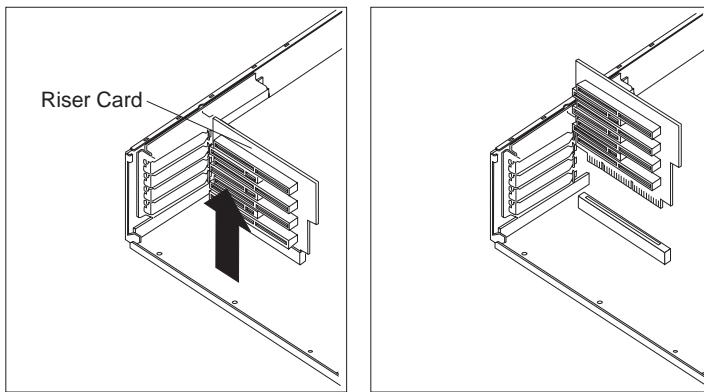
- 1** Remove any adapters that are connected to the riser card. For instructions, see “Removing Adapters” on page 41.
- 2** Disconnect the power cable that is attached to the riser card; it is important to remember where this cable connects so you can reattach it later.



- 3** Remove the stabilizer clip and the drive-bracket assembly. For instructions, see “Removing the Drive-Bracket Assembly” on page 15.

4 Lift the riser card straight up from the connector on the system board.

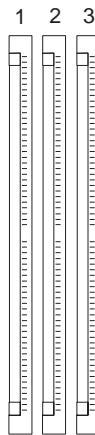
Note: Even though the riser card in your computer might be different from the one shown here, it lifts from the connector in the same way.



Working with System Memory

The maximum amount of system memory your computer supports is 384 MB. You can add memory to your computer to increase system performance. Your computer has three connectors for installing system-memory modules.

Note: To locate the memory connectors inside your computer, see “Identifying Parts on the System Board” on page 13.



The memory modules your computer uses are *dual inline memory modules (DIMMs)*. The IBM-installed DIMM that comes with your computer is an extended data output (EDO) nonparity (NP) module or an EDO error correcting code (ECC) module. You can add extra memory or replace existing memory with both types.

When installing or replacing DIMMs, the following rules apply:

- DIMMs have a maximum height of 3.05 cm (1.2 in.).
- Use only 3.3 V unbuffered DIMMs.
- You can mix EDO NP modules and EDO ECC modules; they will configure as nonparity.
- Install only EDO ECC modules to enable ECC.
- DIMMs with 60 nanosecond (ns) access speeds are supported.

Memory Configuration

When you are adding or removing memory, any sequence of DIMM sizes is allowed. A basic rule to follow is to fill each system memory connector sequentially, starting at *Mem 1*.

The following table shows suggested memory configurations for your computer; this table and additional information are also on a label attached to the underside of the computer cover. Again, alternative configurations are possible.

Note: Values in the following table are represented in megabytes (MB).

Total Memory	Mem 1	Mem 2	Mem 3
16	16	0	0
32	32	0	0
32	16	16	0
48	32	16	0
48	16	16	16
64	64	0	0
64	32	32	0
64	32	16	16
96	32	32	32
128	128	0	0
128	64	64	0
256	128	128	0
256	128	64	64
384	128	128	128

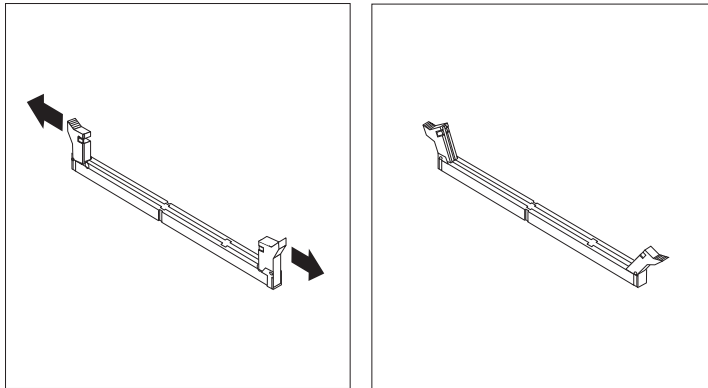
Installing a DIMM

Before you begin

- Read “Electrical Safety” on page 4 and “Handling Static-Sensitive Devices” on page 5.
- Read the instructions that come with the new system memory.
- Turn off the computer and all other connected devices.
- Disconnect all cables attached to the computer and remove the computer cover (see “Disconnecting Cables and Removing the Cover” on page 6).
- Read “Accessing the System Board” on page 14.

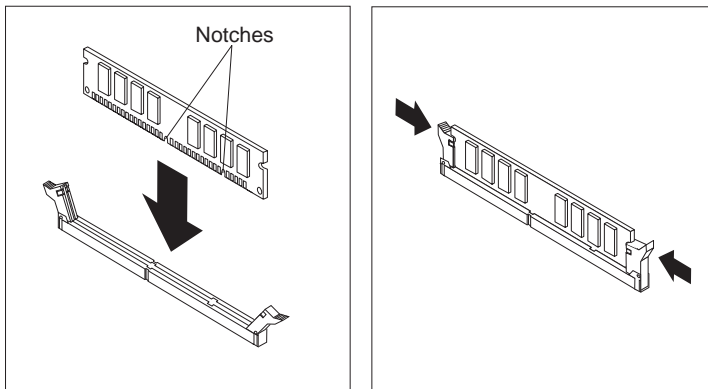
Note: For information on memory configuration, see Table 1 on page 20.

- 1** Be sure the retaining clips are in the open position, as shown in the second illustration below. If the retaining clips are perpendicular with the connector, push outward on them until they click open.



- 2** Touch the static-protective package containing the DIMM to any *unpainted* metal surface in the computer, and then remove the DIMM.
- 3** Position the DIMM above the connector so that the two notches on the bottom edge of the DIMM align properly with the connector.

- 4** Firmly push the DIMM straight down into the connector until the retaining clips pop up and snugly fit around both ends of the DIMM.



- 5** To install another DIMM, repeat steps 1—4.
- 6** Go to the device-record form in *Using Your IntelliStationMPro* and record this installation.

What to do next

- To work with another option, go to the appropriate section.
- To complete the installation, go to Chapter 6, “Completing the Installation” on page 70.

Removing a DIMM

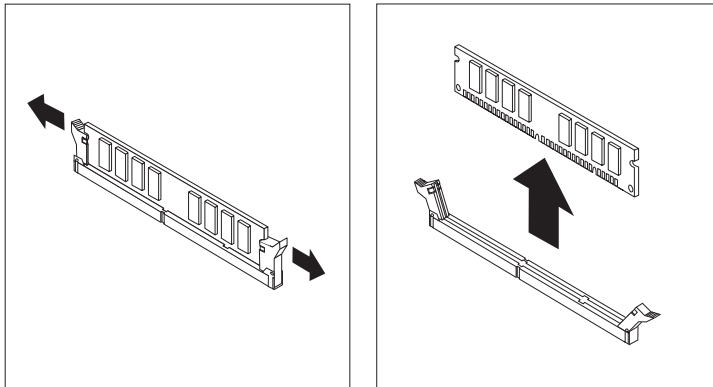
Before you begin

- Read “Electrical Safety” on page 4 and “Handling Static-Sensitive Devices” on page 5.
- Turn off the computer and all other connected devices.
- Disconnect all cables attached to the computer and remove the computer cover (see “Disconnecting Cables and Removing the Cover” on page 6).
- Read “Accessing the System Board” on page 14.

1 At both ends of the DIMM connector, push outward on the retaining clips until the DIMM is loosened.

Note: Be careful not to push too hard on the retaining clips because the DIMM may eject abruptly from the connector.

2 Lift the DIMM out of the connector.



3 Store the DIMM in a static-protective package.

What to do next

- To work with another option, go to the appropriate section.
- To complete the installation, go to Chapter 6, “Completing the Installation” on page 70.

Upgrading the Microprocessor

Your computer comes with an Intel® Pentium® II microprocessor. In addition, the microprocessor incorporates MMX™ technology with built-in L2 cache. For the latest information on microprocessor upgrades available for your computer, contact your place of purchase or your IBM reseller. If you do upgrade the microprocessor, use the instructions that come with the upgrade along with the instructions in “Replacing a Microprocessor” on page 25.

Replacing a Microprocessor

Before you begin

- Read “Electrical Safety” on page 4 and “Handling Static-Sensitive Devices” on page 5.
- Read the instructions that come with the new microprocessor.
- Turn off the computer.
- Disconnect all cables attached to the computer and remove the computer cover (see “Disconnecting Cables and Removing the Cover” on page 6).
- Read “Accessing the System Board” on page 14.

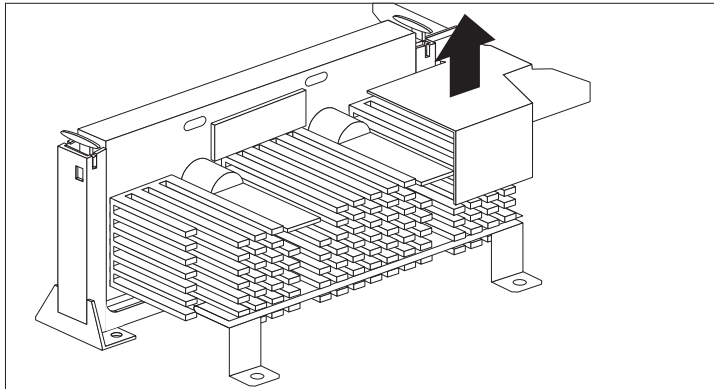
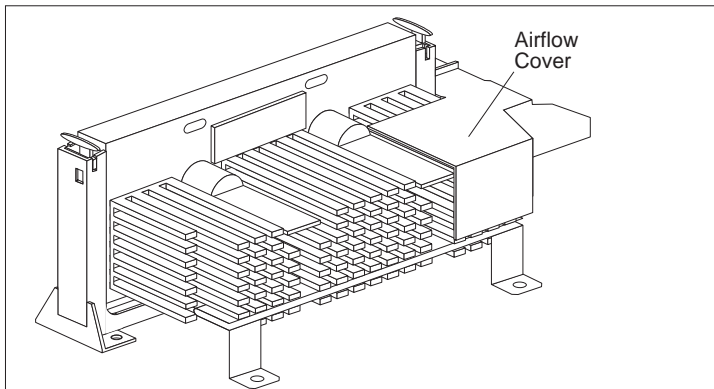
CAUTION:

When removing the microprocessor, be careful not to scrape any system board component.

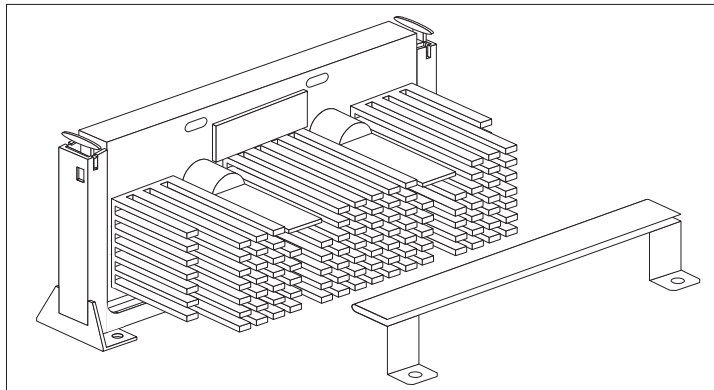
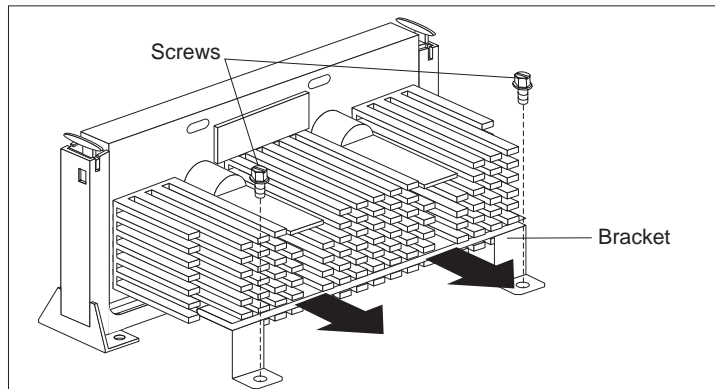
The microprocessor in your computer comes with an attached heat sink. The microprocessor plugs into the system board and is stabilized with a bracket screwed onto the system board.

To remove the microprocessor:

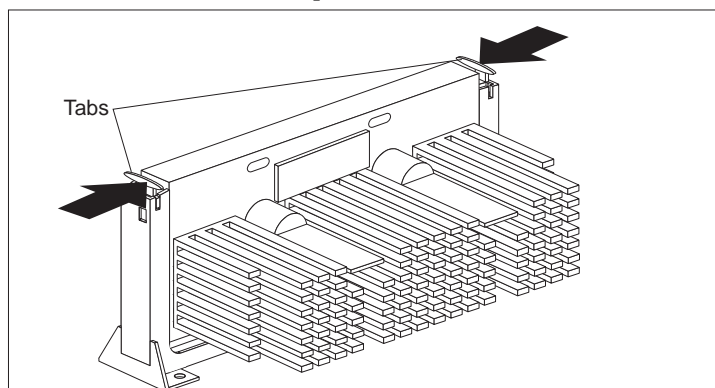
- 1** Lift the air flow cover straight up off of the heat sink.



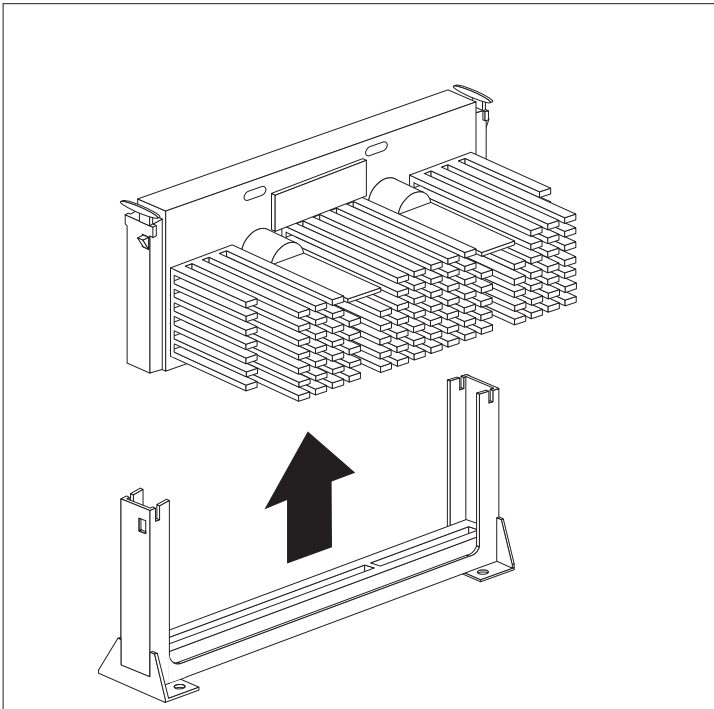
- 2** Remove the two screws holding the bottom bracket to the system board, then pull the bracket forward and lift it out, as shown in the following diagram.



- 3** Place your index fingers on the small tabs on the top of the microprocessor. Push in toward the microprocessor until the tabs release.



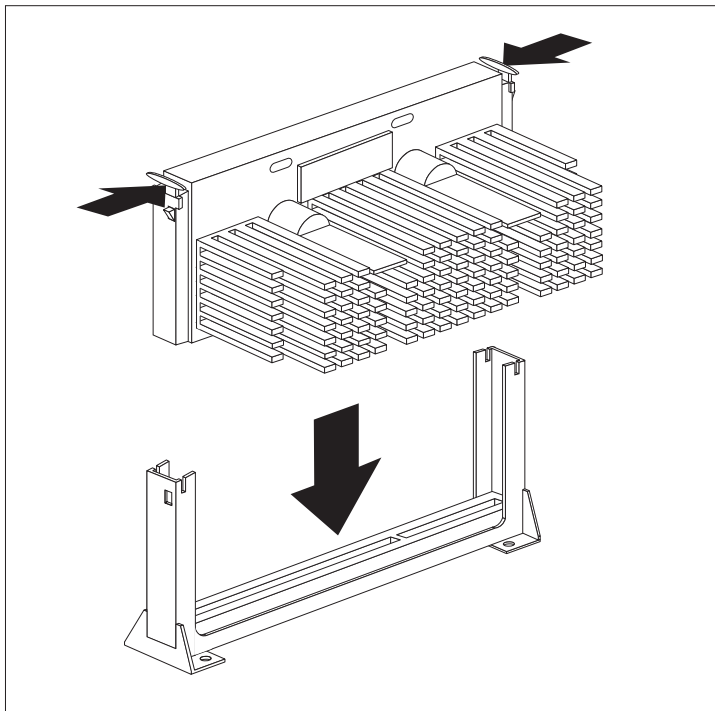
- 4 Carefully place one hand on the system board and pull the microprocessor up and out of the connector with the other hand.



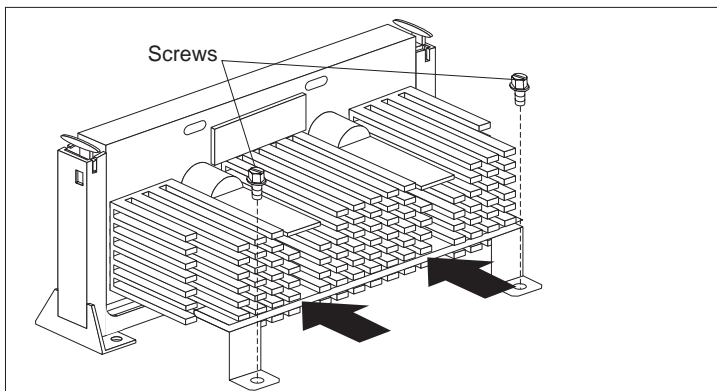
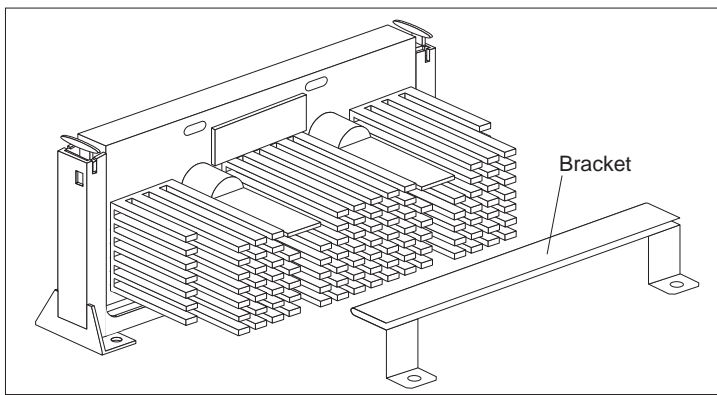
To replace the microprocessor:

- 1 Store the old microprocessor in a static-protective package.
- 2 Touch the static-protective package containing the new microprocessor to any *unpainted* metal surface in the computer, and then remove the new microprocessor.

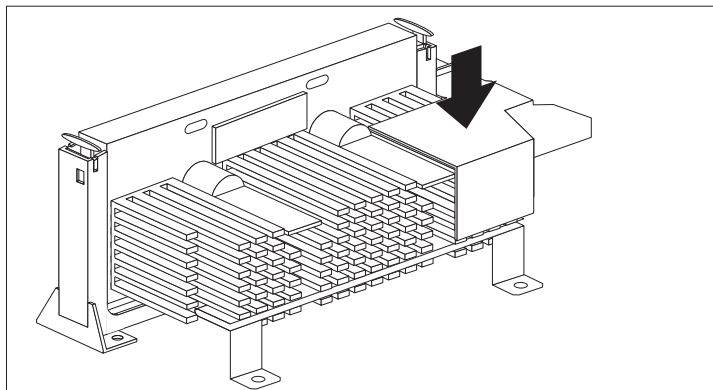
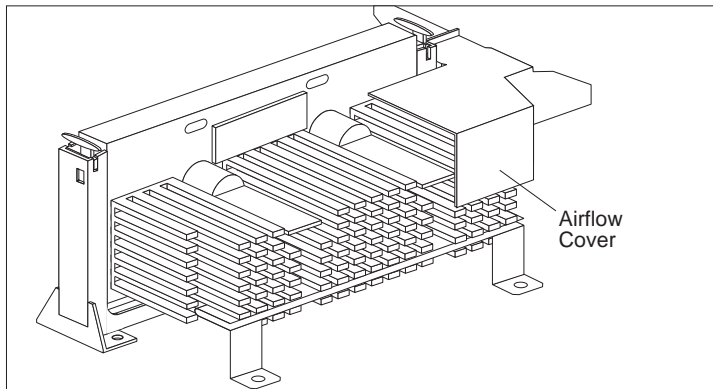
- 3** Align the new microprocessor with the connector on the system board, sliding it down into the guides. Press the microprocessor down until it seats in the connector. (You will need to press the tabs in until the microprocessor clicks into place.)



- 4** Slide the bottom bracket over the bottom row of heat sink fins, aligning the screw-holes on the bracket with the holes on the system board.
- 5** Insert the two screws in the bracket and tighten them.



- 6** Lower the air guide cover straight down onto the tines of the heat sink, on the end closest to the fan.



- 7** If you replace the microprocessor with one that has a different speed, you must update the configuration. To do this, access the jumpers on the system board and set them accordingly. For information on locating the jumpers, see “Identifying Parts on the System Board” on page 13. For information on the appropriate jumper settings, see the label on the underside of the computer cover, or contact your place of purchase or IBM reseller.

What to do next

- To work with another option, go to the appropriate section.
- To complete the installation, go to Chapter 6, “Completing the Installation” on page 70.

Chapter 4. Working with Adapters and Internal Drives

This chapter provides information and instructions for installing and removing adapters and internal drives.

All models come with a SCSI adapter and a video adapter preinstalled in expansion slots. Some models have a Matrox MGA Millennium graphics adapter; other models have an Intergraph Intense 3D graphics adapter. See “Adapters and the Riser Card” on page 33 for the locations of these adapters.

When you are installing or removing adapters, it is important to resolve any resource conflicts that might arise. For example, if you install an ISA legacy adapter, you might have to manually configure the adapter by setting switches or jumpers on the adapter and by using the Configuration/Setup Utility program.

Many adapters now use *Plug and Play* technology which enables the computer to automatically configure the adapter, provided that the required resources are available. Refer to the instructions that come with your adapter to determine if it is Plug and Play. For more information, see “Adapter Configuration” on page 37.

When you are installing an internal drive, it is important to note what kind of drive you can install in each bay and the height restrictions imposed by each drive bay. Also, it is important to correctly connect the internal drive cables to the installed drive. For more information, see “Internal Drives” on page 43.

Adapters and the Riser Card

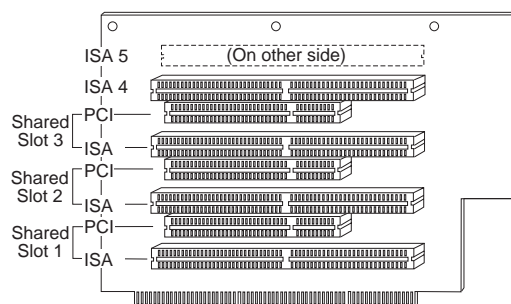
Your computer uses a riser card for expansion. The riser card contains expansion slots that connect adapters to the industry standard architecture (ISA) and peripheral component interconnect (PCI) buses.

You can add a variety of adapters to the expansion slots on the riser card. For information on locating the riser card, see “Locating Components” on page 8. To install or remove the riser card, see “Installing the Riser Card” on page 71 or “Removing the Riser Card” on page 17.

Your riser card has two dedicated ISA slots (one on one side and one on the other side), and three shared PCI/ISA slots. You can install only one adapter in each shared slot.

In your computer, SCSI, Matrox, and Intergraph adapters all plug into PCI slots. The SCSI adapter is installed in slot 1. The Matrox or Intergraph adapter is installed in slot 3.

The following illustration shows the expansion slots on the riser card; note that each PCI connector shares a slot with the ISA connector directly *below* it.



3 Shared, 2 ISA Expansion Slots

Note: Except for the adapter installed on the single-slot side:

- Generally, adapters plug into the PCI slots with the components facing down
- adapters plug into the ISA slots with the components facing up

The single adapter slot on the other side of the riser card is an ISA slot, so its components face down.

Disabling VGA on The Graphics Adapter

For some applications you might want to disable the VGA on your graphics adapter so that you can use the VGA on the integrated S3 TrioV2 video controller. If you have an Intergraph Intense 3D graphics adapter, you must have a standard 100-mil center jumper. Also, if you want to use the VGA input connector on this adapter, you must have a 15-pin male-to-male VGA input cable. Contact Intergraph Corporation to obtain the jumper and cable.

For more information on disabling the VGA on your graphics adapter, refer to *Using Your IntelliStationMPro*.

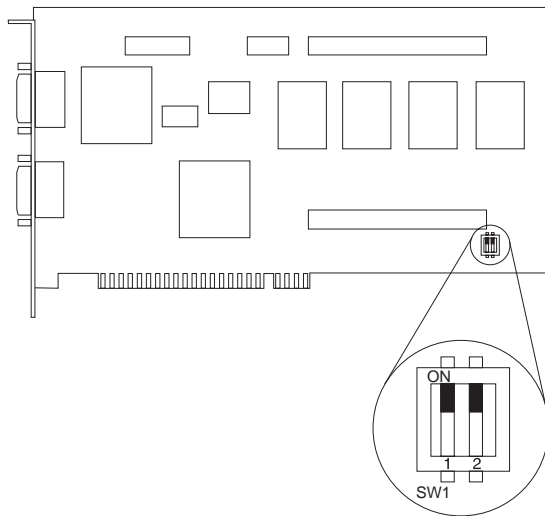
Before you begin

- Read “Electrical Safety” on page 4 and “Handling Static-Sensitive Devices” on page 5.
- Turn off the computer and all other connected devices.
- Disconnect all cables attached to the computer, and then remove the computer cover (see “Disconnecting Cables and Removing the Cover” on page 6).

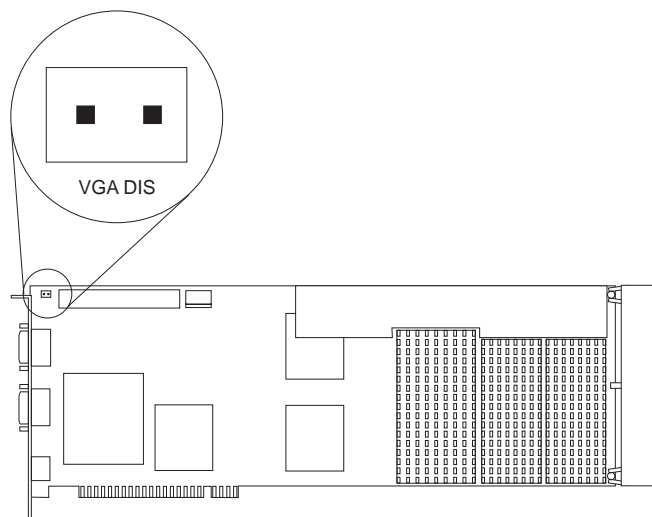
To disable your graphics adapter VGA:

- 1** Remove the graphics adapter. Refer to “Removing Adapters” on page 41.

- 2** If you have a Matrox MGA Millennium graphics adapter, move switch SW1-2 to the ON position (up) to disable the VGA.



- 3** If you have an Intergraph Intense 3D graphics adapter, place a jumper on the VGA DIS pins to disable the VGA.



- 4** Reinstall the graphics adapter. Refer to “Installing Adapters” on page 39.

What to do next

- Connect all external cables attached to the computer.
- Replace the computer cover.
- To work with another option, go to the appropriate section.
- To complete the installation, go to Chapter 6, “Completing the Installation” on page 70.

Adapter Configuration

Along with the documentation that comes with your adapter, use the following information to help with adapter configuration.

Plug and Play Adapters

A new method for configuring adapters is now used by your computer. *Plug and Play* is a configuration method that makes expanding your computer easier. Support for Plug and Play is built into the system board of your computer.

If an adapter is Plug and Play, then there are no switches or jumpers that must be set on the adapter. A Plug and Play adapter comes with configuration specifications set in memory to provide installation information to the computer during startup. When you install or remove Plug and Play adapters, this information is interpreted by the *basic input/output system (BIOS)*, which supports Plug and Play technology. If the required resources are available, then the BIOS software automatically configures the adapter around the resources already in use by other devices.

Most adapters designed for PCI slots are Plug and Play devices; many ISA adapters are not Plug and Play devices.

Notes:

1. If a resource conflict arises after installing a Plug and Play adapter, you might need to change the default resource settings for the adapter. For more information, refer to the documentation that comes with the adapter.
2. For more information on error messages from resource conflicts, see *Using Your IntelliStationMPro*.

Legacy Adapters

Adapters that are not Plug and Play compatible are known as *legacy adapters*. If you install a legacy adapter, you must manually configure it by setting switches on the adapter and by allocating system resources using the Configuration/Setup Utility program.

In the Configuration/Setup Utility program, the ISA Legacy Resources screen shows the computer resources that are typically required by adapters:

- Memory resources
- I/O port resources
- DMA resources
- Interrupt resources

From the appropriate screens, you can select available resources for the adapter you are installing. Resources not being used by ISA legacy adapters are listed as **[Available]**. You must set the resources used by the newly installed ISA legacy adapter to **[Not available]**; this enables the software to use these system resources for the adapter.

Just as you change system resources when you install adapters, you must also change resources when you remove an ISA legacy adapter. If you remove a legacy adapter, change the resources it formerly used to **[Available]**. These resources are then available for future Plug and Play or manual configurations.

Note: Refer to the documentation that comes with the adapter for information on required system resources.

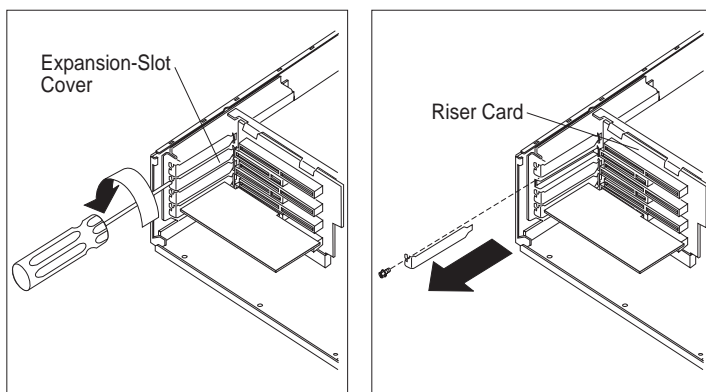
For information on configuring ISA legacy adapters, see “Configuring an ISA Legacy Adapter” on page 81 or refer to *Using Your IntelliStationMPro*. For more information on error messages from resource conflicts, see *Using Your IntelliStationMPro*.

Installing Adapters

Before you begin

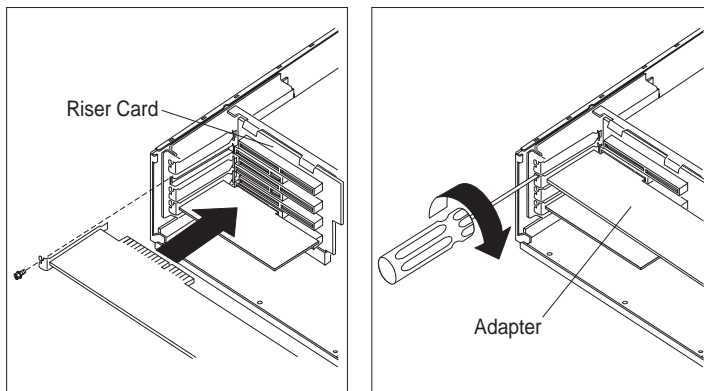
- Read “Electrical Safety” on page 4 and “Handling Static-Sensitive Devices” on page 5.
- Read the instructions that come with the new adapter.
- Turn off the computer and all other connected devices.
- Disconnect all cables attached to the computer and remove the computer cover (see “Disconnecting Cables and Removing the Cover” on page 6).

- 1** Review the instructions that come with the adapter to determine if it must be installed in an ISA or PCI slot.
- 2** Note that you might need to set the switches or jumpers manually on ISA adapters. Refer to the ISA adapter manuals for additional information.
- 3** Remove the screw and cover for the appropriate expansion slot.



- 4** Touch the static-protective package containing the adapter to any *unpainted* metal surface in the computer, then remove the adapter from the package.

- 5** Install the adapter into the appropriate slot on the riser card. Except for adapters installed on the single-slot side, the components of a PCI adapter generally face down toward the system board and the components of an ISA adapter face up. If a component in the computer or on another adapter interferes with the installation, use another slot. Be sure to insert and tighten the screw to anchor the adapter card.



- 6** Go to the device-record form in *Using Your IntelliStationMPro*, and write the adapter name next to the slot into which you installed it.

What to do next

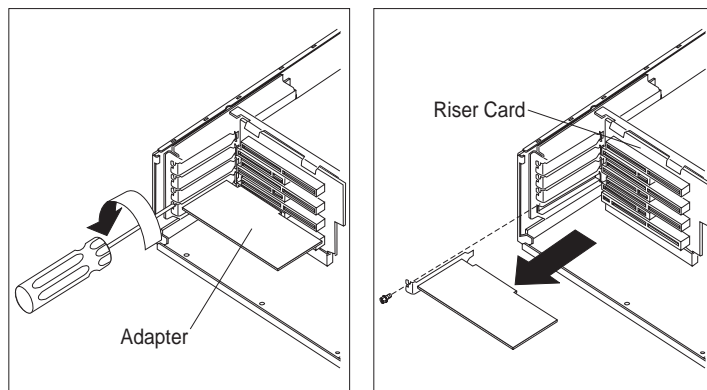
- To work with another option, go to the appropriate section.
- To complete the installation, go to Chapter 6, "Completing the Installation" on page 70.

Removing Adapters

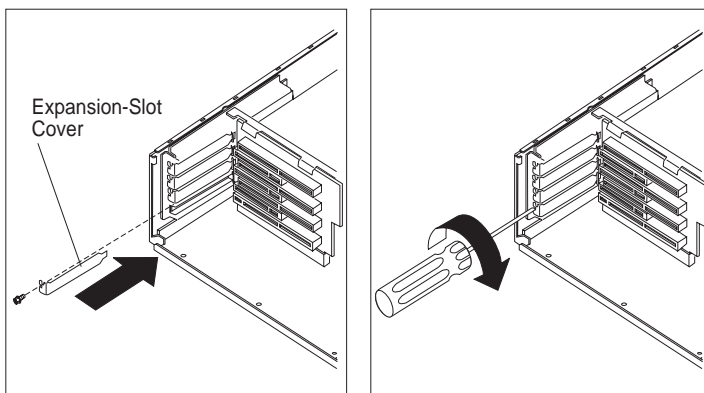
Before you begin

- Read “Electrical Safety” on page 4 and “Handling Static-Sensitive Devices” on page 5.
- Turn off the computer and all other connected devices.
- Disconnect all external cables and power cords, and then remove the computer cover (see “Disconnecting Cables and Removing the Cover” on page 6).

- 1** Locate the adapter and remove the screw.
- 2** Remove the adapter and insert it into a static-protective package. The following illustrations show an adapter being removed from a PCI slot.



- 3** If you are not installing another adapter in this slot, install an expansion-slot cover. The following illustrations show the expansion-slot cover being installed.



- 4** Go to the device-record form in *Using Your IntelliStationMPro* and delete the name of the adapter you removed.

Note: Removing an adapter frees up system resources. If you remove an ISA legacy adapter, you must use the Configuration/Setup Utility program to set the previously used resources to **[Available]**. For more information, see Chapter 6, “Completing the Installation” on page 70.

What to do next

- To work with another option, go to the appropriate section.
- To complete the installation, go to Chapter 6, “Completing the Installation” on page 70.

Internal Drives

Internal drives are devices that your computer uses to read and store data. You can add drives to your computer to increase storage capacity and to enable your computer to read other types of media. Some of the different drives available for your computer are:

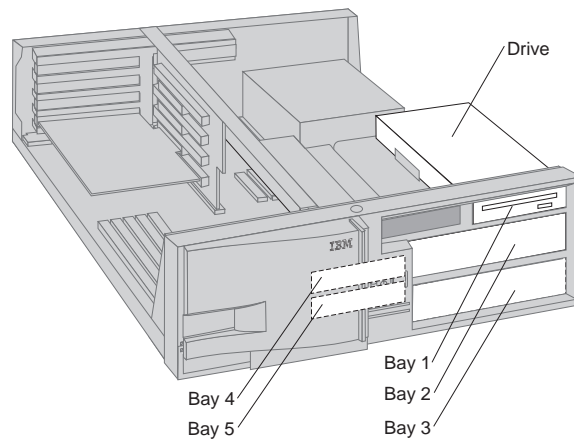
- Diskette drives
- Hard disk drives
- Tape drives
- CD-ROM drives

Internal drives are installed in *bays* at the front of your computer. The bays are referred to as bay 1, bay 2, and so on. Drive bays are housed in either the drive-bracket assembly or the drive-support bracket. For more information, see “Drive-Bracket Assembly and Drive-Support Bracket” on page 11.

Your computer comes with the following IBM-installed drives:

- A 3.5-inch diskette drive in bay 1
- A 3.5-inch IDE hard disk drive installed in bay 4
- A CD-ROM drive installed in bay 2 (some models)

The following illustration shows the location of the drive bays in your computer.



Drive Specifications

The following table describes the drives you can install in each bay and their height requirements.

Bay	Drives	Max. Height mm (in.)	Min. Height mm (in.)
1	3.5-inch diskette drive	25.4 (1.0)	—
2	5.25-inch diskette drive 3.5-inch diskette drive Tape backup drive CD-ROM drive Hard disk drive	41.3 (1.6)	25.4 (1.0)
3	5.25-inch diskette drive 3.5-inch diskette drive Tape backup drive CD-ROM drive Hard disk drive	41.3 (1.6)	25.4 (1.0)
4	Hard disk drive	25.4 (1.0)	—
5	Hard disk drive	25.4 (1.0)	—

Notes:

- Drives that are greater than 41.3 mm (1.6 in.) high cannot be used.
- Drives that require removable media (diskettes, tapes, or CDs) must be installed in the accessible bays: bay 1, 2, or 3.
- To properly mount a 3.5-inch drive into bay 2 or 3, you must use a 3.5-inch conversion kit for a 5.25-inch bay. For more information, see your place of purchase or IBM reseller.

Power and Signal Cables

Your computer uses cables to connect integrated drive electronics (IDE) drives to the power supply and system board. The following cables are provided:

- Four-wire *power cables* connect most drives to the power supply. At the end of these cables are plastic connectors that attach to different drives; these connectors vary in size. Also, certain power cables attach to the riser card and system board.
- Flat *signal cables* connect IDE drives to the system board; signal cables are sometimes called *ribbon cables*. There are two sizes of signal cables that come with your computer:
 - The wider signal cable has three connectors. Two of these connectors attach to installed drives and the third attaches to the primary IDE connector on the system board.
 - The narrower signal cable has four connectors: one for attaching to the diskette-drive connector on the system board, two for attaching internal devices, and a fourth *unique* connector for attaching devices with adapter strips or other special connections.

Note: To locate connectors on the system board, see “Identifying Parts on the System Board” on page 13.

The following are some important points to remember when connecting power and signal cables to internal drives:

- The diskette drive, hard disk drive, and CD drive that are preinstalled in your computer come with power and signal cables attached. If you replace any drives, it is important to remember which cables are attached to which drives.
- When you install a drive, ensure that the drive connector at the end of the signal cable is always connected to the drive; also, ensure that the drive connector at the other end is connected to the system board. This reduces electronic noise from the computer.
- If more than one IDE device is used on a single cable, one must be designated as the primary or master device and another as the secondary or subordinate device; otherwise, some of the IDE devices might not be recognized by the system. The primary or secondary designation is determined by switch or jumper settings on each IDE device.

- To optimize performance when installing more than two hard disk drives, be sure to attach hard disk drives with faster data transfer speeds (Mode 1 or higher) to the primary hard disk drive signal cable (hard disk drives 0 and 1).
- To install more than two IDE hard disk drives, you must purchase an additional signal cable. The cable must meet the following specifications:
 - Maximum length: 0.46 meters (18 inches)
 - Wire size: 28 AWG
 - Cable capacitive loading: 200 pF maximum
- If you want to install more than one diskette drive, you must purchase a four-wire, Y-cable that provides two power connectors.
- To attach an external drive, you must install an adapter in the computer.

For help in selecting drives, cables, and other options for your computer:

- Within the United States, call 1-800-IBM-2YOU (1-800-426-2968), your place of purchase, or your IBM reseller.
- Within Canada, call 1-800-565-3344 or 1-800-465-7999.
- Outside the United States and Canada, contact IBM, your place of purchase, or an IBM reseller.

Working with Drives in Bays 1, 2, and 3

To install or remove drives in bays 1, 2, or 3, you must remove the drive-support bracket from your computer.

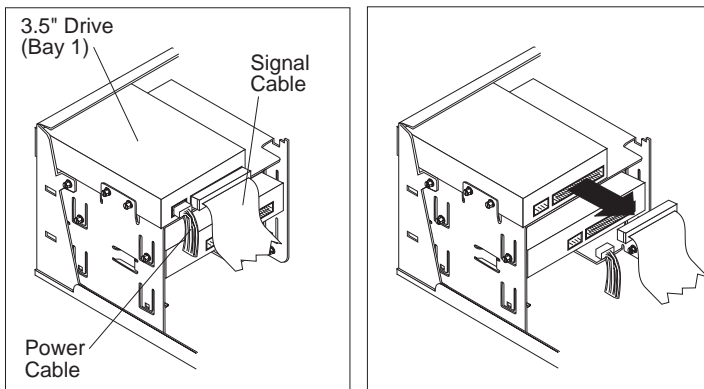
When you are facing the computer, the drive-support bracket is located at the front, right corner. To access the drive-support bracket, you must remove the drive-bracket assembly and other components. For more information on the differences between the drive-support bracket and drive-bracket assembly, refer to “Drive-Bracket Assembly and Drive-Support Bracket” on page 11.

Before you begin

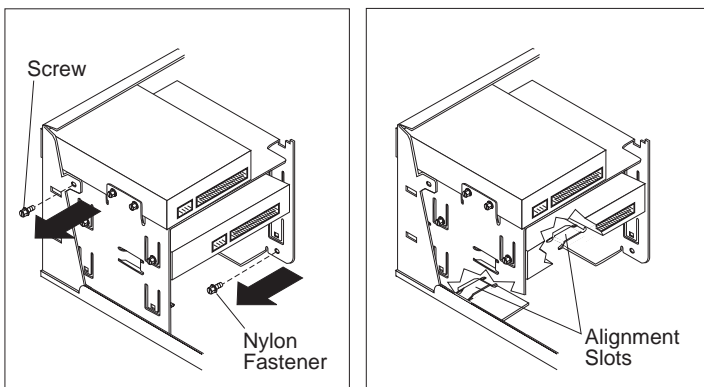
- Read “Electrical Safety” on page 4 and “Handling Static-Sensitive Devices” on page 5.
- Read the instructions that come with the drive you want to install or replace.
- Turn off the computer and all other connected devices.
- Disconnect all cables attached to the computer and remove the computer cover (see “Disconnecting Cables and Removing the Cover” on page 6).
- Remove the drive-bracket assembly (see “Removing the Drive-Bracket Assembly” on page 15).

Removing the Drive-Support Bracket

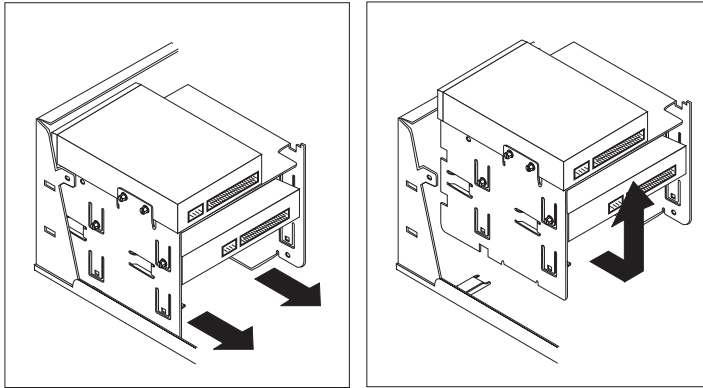
- 1 Disconnect any cables from the drives in bays 1, 2, and 3. The following illustrations show the power and signal cables being disconnected from the diskette drive in bay 1.



- 2 Remove the fasteners that attach the drive-bracket support to the computer frame.
 - a. Loosen and remove the screw from the upper-front corner of the drive-support bracket.
 - b. Remove the nylon fastener from the lower rear of the bracket. You might have to sever the nylon fastener to remove it. This fastener is included for shipping purposes only; you do not need the nylon fastener when reinstalling the drive-support bracket.
 - c. Note how the tabs at the base of the drive-support bracket fit into the alignment slots on the computer frame.



- 3** Gently slide the bracket backwards to clear the alignment slots, and then lift the bracket out of the computer.



What to do next

- To install a drive, go to “Installing a Drive in Bay 1, 2, or 3” on page 50.
- To remove a drive, go to “Removing a Drive from Bay 1, 2, or 3” on page 52.

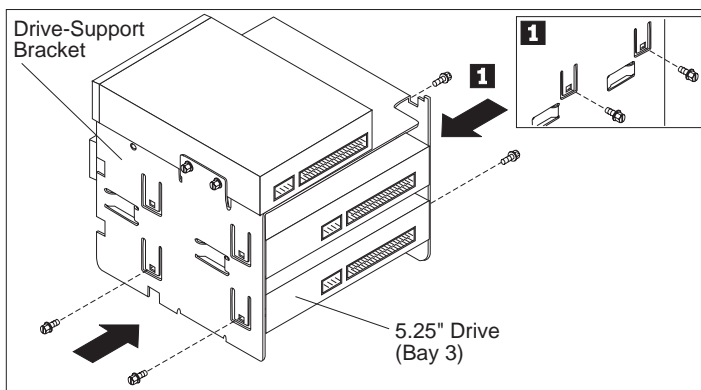
Installing a Drive in Bay 1, 2, or 3

Before you begin

- Read “Working with Drives in Bays 1, 2, and 3” on page 47.
- Read the documentation that comes with the drive.

To install a 3.5-inch drive into drive bay 2 or 3, you must install a conversion kit. For information on purchasing a 3.5-inch conversion kit for a 5.25-inch bay, see your place of purchase or an IBM reseller.

- 1** Touch the static-protective package containing the new drive to any *unpainted* metal surface and then remove the drive.
- 2** Slide the drive into the desired drive bay and insert and tighten the four screws. The following illustration shows a drive being installed in bay 3.



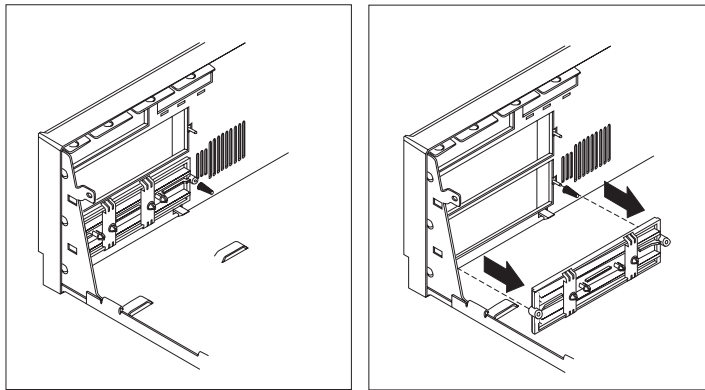
- 3** If applicable, repeat steps 1 and 2 to install another drive.
- 4** Go to the device-record form in *Using Your IntelliStationMPro* and record the new installation.

What to do next

- To access an installed drive that has removable media, you must remove the appropriate bay panel.
- To remove a drive from bay 1, 2, or 3, go to “Removing a Drive from Bay 1, 2, or 3” on page 52.
- To install the drive-support bracket, go to “Installing the Drive-Support Bracket” on page 55.

Removing a Bay Panel

- 1** Press against the front of the bay panel until it is loosened.
- 2** Remove the bay panel. The following illustrations show a bay panel being removed from bay 3.



- 3** Save the removed bay panel for possible future use.
- 4** If applicable, repeat steps 1—3 to remove another bay panel.

What to do next

- To remove a drive, go to “Removing a Drive from Bay 1, 2, or 3” on page 52.
- To install the drive-support bracket, go to “Installing the Drive-Support Bracket” on page 55.

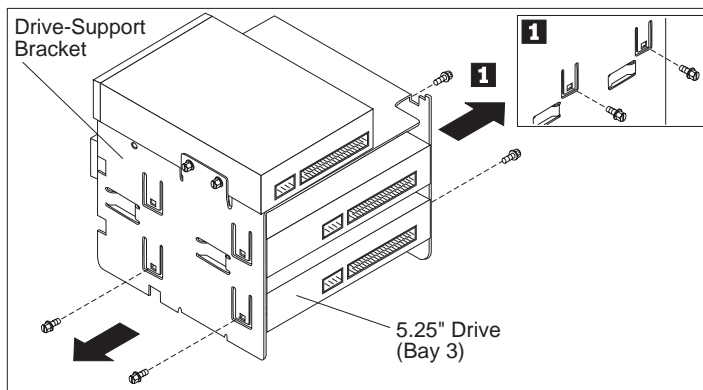
Removing a Drive from Bay 1, 2, or 3

Before you begin

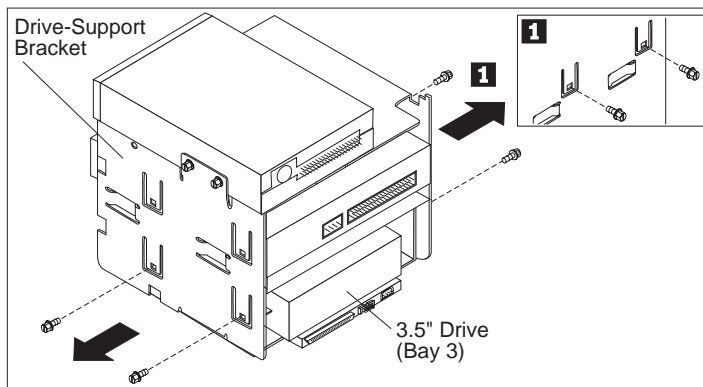
- Read “Working with Drives in Bays 1, 2, and 3” on page 47.
- See “Removing the Drive-Support Bracket” on page 48.

1 Loosen and remove the four screws and then remove the drive from the drive bay.

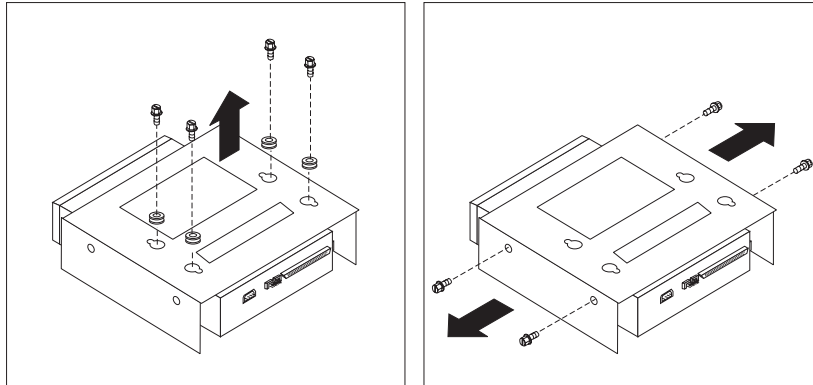
- a. The following illustration shows a 5.25-inch drive being removed from bay 3.



- b. If you have installed a 3.5-inch hard disk drive, a mounting bracket holds the drive in place. The following illustration shows the mounting bracket being removed from the drive-support bracket.



- c. You can then remove the hard disk drive from the mounting bracket, as shown in one of the following illustrations.



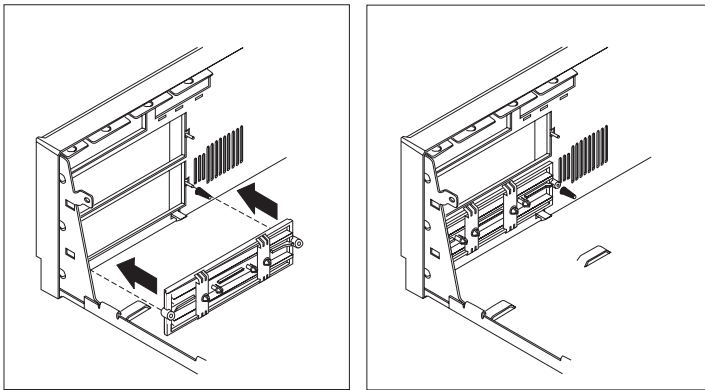
- 2** Place the removed drive in a static-protective package.
- 3** To remove another drive, repeat step 1.

What to do next

- If you are leaving the drive bay empty, or if you are replacing a removed drive with a drive that does not have removable media, install a bay panel. For more information, go to “Installing a Bay Panel” on page 54.
- To install a drive, go to “Installing a Drive in Bay 1, 2, or 3” on page 50.
- To install the drive-support bracket, go to “Installing the Drive-Support Bracket” on page 55.

Installing a Bay Panel

- 1** Align the holes in the bay panel with the tabs on the computer frame.
- 2** Install the bay panel. The following illustrations show a bay panel being installed in bay 3.



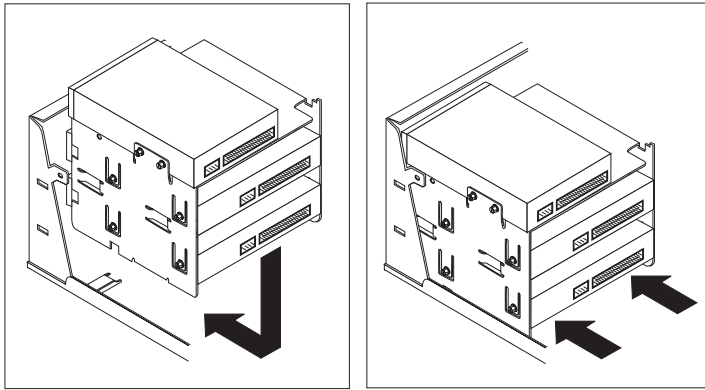
- 3** If applicable, repeat steps 1 and 2 to install another bay panel.

What to do next

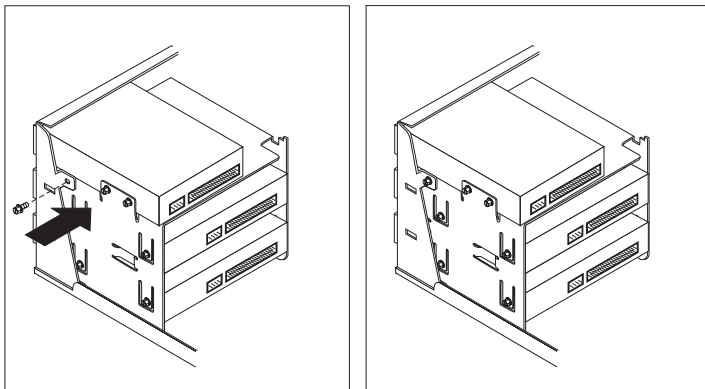
- To install a drive, go to “Installing a Drive in Bay 1, 2, or 3” on page 50.
- To install the drive-support bracket, go to “Installing the Drive-Support Bracket” on page 55.

Installing the Drive-Support Bracket

- 1** Clear any cables that might impede the installation of the drive-support bracket.
- 2** Gently place the drive-support bracket into the computer and slide the tabs on the bottom of the bracket into the alignment slots on the computer.

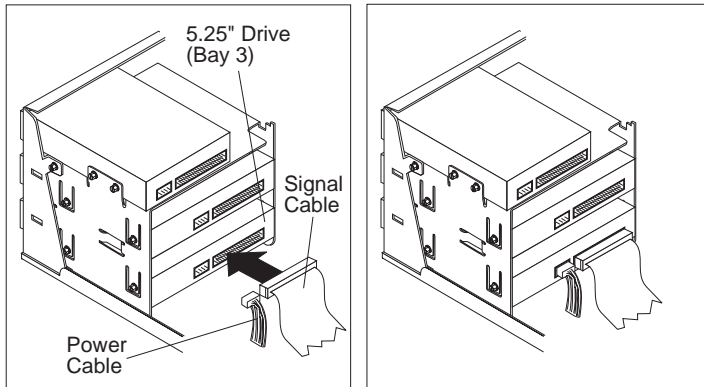


- 3** Insert and tighten the screw of the drive-support bracket to the computer frame.



- 4** Connect the cables for the drives in bays 1, 2, or 3. The following illustrations show the power and signal cables being connected to a drive in bay 3.

Note: If more than one drive is installed, attach cables to the lowest drive first and work your way up.



What to do next

- To work with a drive in bay 4 or 5, go to “Installing a Drive in Bay 4 or 5” on page 57 or “Removing a Drive from Bay 4 or 5” on page 58.
- To complete the installation, go to Chapter 6, “Completing the Installation” on page 70.

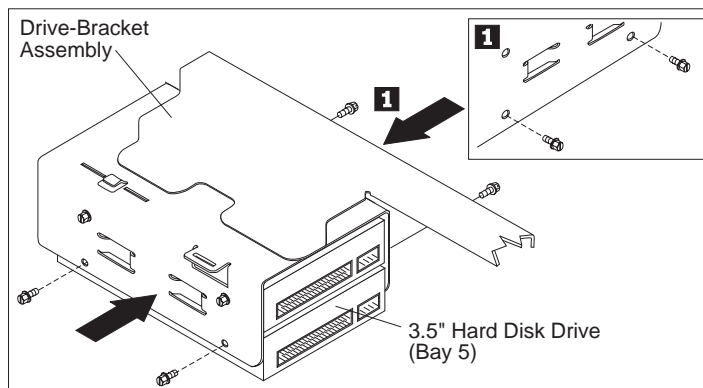
Installing a Drive in Bay 4 or 5

Before you begin

- Read “Electrical Safety” on page 4 and “Handling Static-Sensitive Devices” on page 5.
- Turn off the computer and all other connected devices.
- Disconnect all cables attached to the computer and remove the computer cover (see “Disconnecting Cables and Removing the Cover” on page 6).
- To work with drives in bays 4 and 5, you must remove the drive-bracket assembly. For more information, see “Removing the Drive-Bracket Assembly” on page 15.

Note: The drive-bracket assembly is different from the drive-support bracket. For more information, see “Drive-Bracket Assembly and Drive-Support Bracket” on page 11.

- 1** Insert the drive into the desired drive bay and insert and tighten the four screws. The following illustration shows a drive being installed in bay 5.



- 2** If applicable, repeat step 1 to install a drive in the other bay.

What to do next

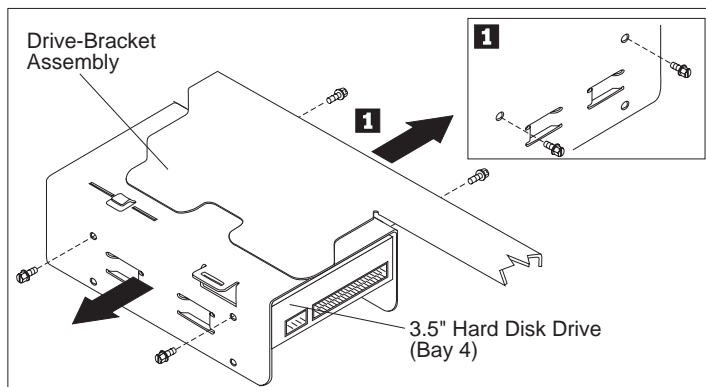
- Go to the device-record form in *Using Your IntelliStationMPro*, and record the installation.
- To remove a drive, go to “Removing a Drive from Bay 4 or 5” on page 58.
- To install the drive-bracket assembly and complete the installation, go to Chapter 6, “Completing the Installation” on page 70.

Removing a Drive from Bay 4 or 5

Before you begin

- Read “Electrical Safety” on page 4 and “Handling Static-Sensitive Devices” on page 5.
- Turn off the computer and all other connected devices.
- Disconnect all cables attached to the computer and remove the computer cover (see “Disconnecting Cables and Removing the Cover” on page 6).
- To work with drives in bays 4 and 5, you must remove the drive-bracket assembly. For more information, see “Removing the Drive-Bracket Assembly” on page 15.

- 1** Loosen and remove the four screws and then remove the drive from the drive bay. The following illustration shows a drive being removed from bay 4.



- 2** If applicable, repeat step 1 to remove a drive from the other bay.

What to do next

- Go to the device-record form in *Using Your IntelliStationMPro*, and record the installation.
- To install a drive, go to “Installing a Drive in Bay 4 or 5” on page 57.
- To install the drive-bracket assembly and complete the installation, go to Chapter 6, “Completing the Installation” on page 70.

Chapter 5. Working with Security Options

This chapter describes some of the security options that are available for your computer.

To help prevent hardware theft, you can add a security U-bolt and cable to your computer. To erase lost or forgotten passwords, you can move the password jumper (jumper D in the planar jumper block) on the system board.

Note: Use the Configuration/Setup Utility program to set, change, or delete passwords. For more information, see *Using Your IntelliStationMPro*.

To guard against writing over diskettes, you can set the write-protect jumper on the system board.

The following list is a quick reference to these procedures:

- “Installing a U-Bolt” on page 60
- “Erasing Lost or Forgotten Passwords” on page 63
- “Setting the Diskette Write-Protect Jumper” on page 68

Installing a U-Bolt

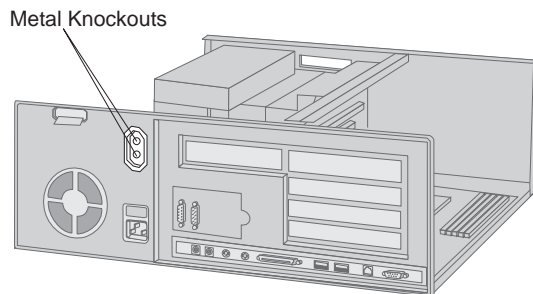
You can add a U-bolt to the rear of your computer. Adding a U-bolt enables you to add a security cable and lock which helps prevent hardware theft. After you add the security cable, make sure that it does not interfere with other cables that are connected to the computer.

Before you begin

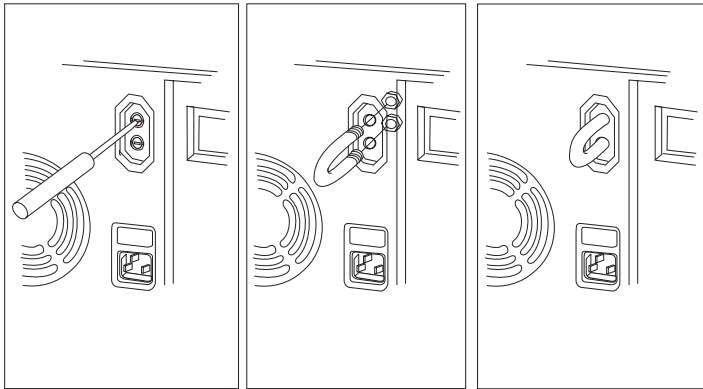
- Obtain the following:
 - A 19-mm (3/4 in.) U-bolt and threaded nuts that fit the U-bolt
 - A security cable
 - A lock, such as a combination lock or padlock
 - An adjustable wrench
- Read “Electrical Safety” on page 4 and “Handling Static-Sensitive Devices” on page 5.
- Turn off the computer and all other connected devices.
- Disconnect all external cables and power cords, and remove the computer cover (see “Disconnecting Cables and Removing the Cover” on page 6).

Note: The external connectors on the rear of your computer might differ from the ones shown in this section.

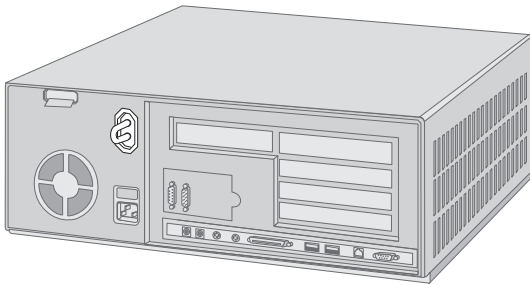
- 1** Use a tool, such as a screwdriver, to remove the two metal knockouts.



- 2 Insert the U-bolt through the rear panel; then attach and tighten the nuts with an adjustable wrench.

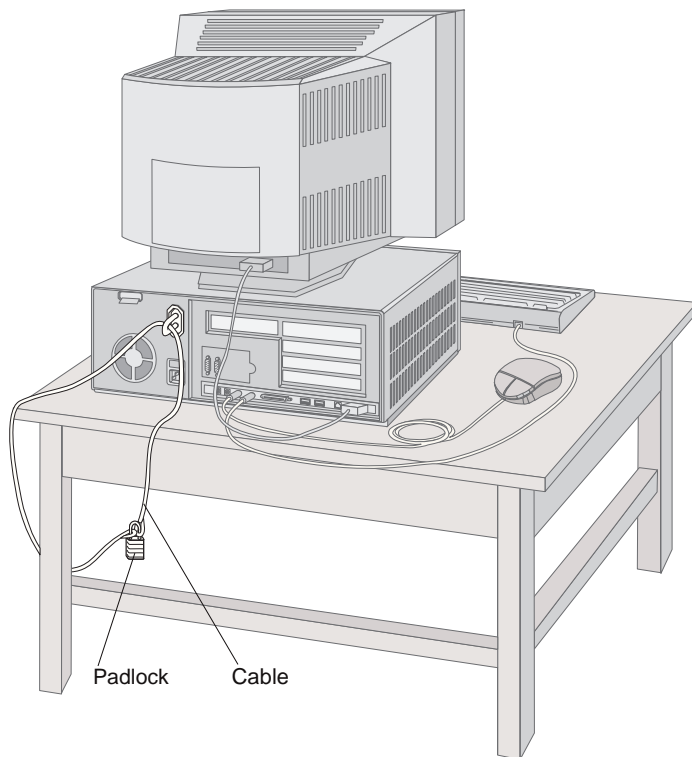


- 3 Replace the computer cover. For more information, see “Replacing the Cover and Connecting the Cables” on page 74.



- 4 Thread the cable through the U-bolt and around an object that is not a part of or permanently secured to the building structure or foundation, and from which it cannot be removed, then fasten the cable ends together with a lock.

The following illustration shows an example of how this might work.



Erasing Lost or Forgotten Passwords

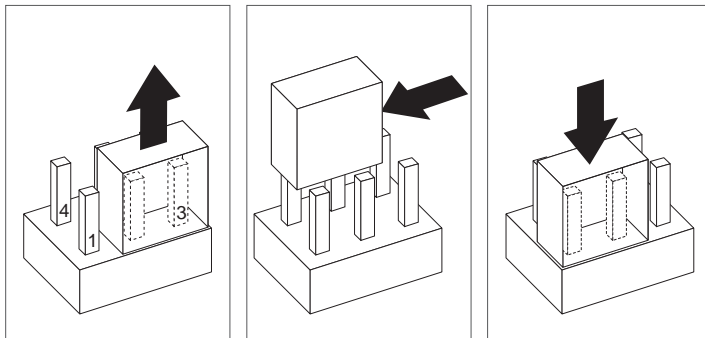
The password jumper is jumper D in the system board planar jumper block.

Before you begin

- Using the Configuration/Setup Utility program, record all configuration information.
- Read “Electrical Safety” on page 4 and “Handling Static-Sensitive Devices” on page 5.
- Turn off the computer and all other connected devices.
- Remove the computer cover (see “Disconnecting Cables and Removing the Cover” on page 6).

To erase a password, follow these steps:

- 1** Locate jumper D in the planar jumper block on the system board. For more information, see “Identifying Parts on the System Board” on page 13 or see the label on the underside of the computer cover (the label refers to the jumper as D). You might have to move some cables out of the way to reach the jumper.
- 2** Move the jumper from its normal position (pins 2 and 3) to pins 1 and 2. It might be helpful to use needle-nose pliers to move the jumper, but be careful not to scrape any system board components or crush the jumper.



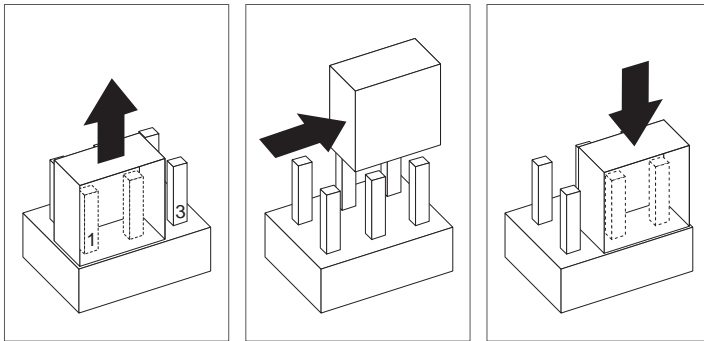
- 3** Power the computer back on for approximately 10 seconds.

CAUTION:

Do not touch any components while the power is on.

- 4** Power it off again.

5 Move the jumper back to its normal position (pins 2 and 3).



6 Go to Chapter 6, “Completing the Installation” on page 70 for instructions on replacing the cover.

Note: To set a new password, see *Using Your IntelliStationMPro*.

What to do next

Use the Configuration/Setup Utility program to set any passwords. For more information, refer to “Setting Passwords” on page 83 and *Using Your IntelliStationMPro*.

Clearing CMOS

Your computer uses *complementary metal-oxide semiconductor (CMOS)* memory on the system board for storing configuration and setup information. CMOS memory maintains information about:

- Date and time
- Security features
- Power-management devices
- Storage devices
- Keyboard and mouse
- ISA legacy configuration information
- Plug and Play configuration information
- Port assignments
- I/O addresses and interrupts
- Other selectable features

Note: Performing a CMOS clear does not clear the date and time, nor does it clear passwords.

Important

Clearing CMOS memory erases the configuration of your computer, so you need to reconfigure the computer after clearing CMOS memory. If possible, record the configuration information of your computer *before* performing this procedure.

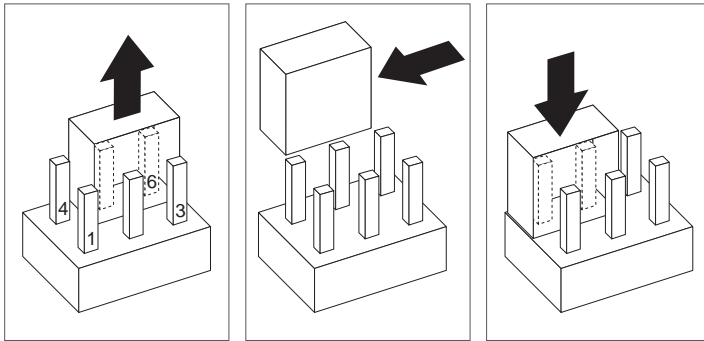
The CMOS clear jumper (jumper C) is located on the system board in the planar jumper block.

Before you begin

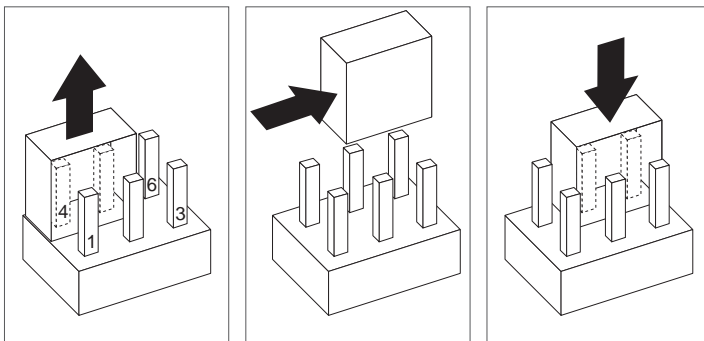
- Using the Configuration/Setup Utility program, record all configuration information.
- Read “Electrical Safety” on page 4 and “Handling Static-Sensitive Devices” on page 5.
- Turn off the computer and all other connected devices.
- Remove the computer cover (see “Disconnecting Cables and Removing the Cover” on page 6).

To clear CMOS, follow these steps:

- 1** Locate jumper C in the planar jumper block on the system board. For more information, see “Identifying Parts on the System Board” on page 13 or see the label on the underside of the computer cover (the label refers to the jumper as C). You might have to move some cables out of the way to reach the jumper.
- 2** Move the jumper from its normal position (pins 5 and 6) to pins 4 and 5. It might be helpful to use needle-nose pliers to move the jumper, but be careful not to scrape any system board components or crush the jumper.



- 3** Power the computer back on and wait approximately 10 seconds.
- 4** Power it off again.
- 5** Move the jumper back to its normal position (pins 5 and 6).



- 6** Go to Chapter 6, “Completing the Installation” on page 70 for instructions on replacing the cover.

What to do next

- After clearing CMOS memory, you must reconfigure the computer. After reassembling the computer (go to Chapter 6, “Completing the Installation” on page 70), use the Configuration/Setup Utility program to reconfigure the computer. For more information, refer to *Using Your IntelliStationMPro*.

Setting the Diskette Write-Protect Jumper

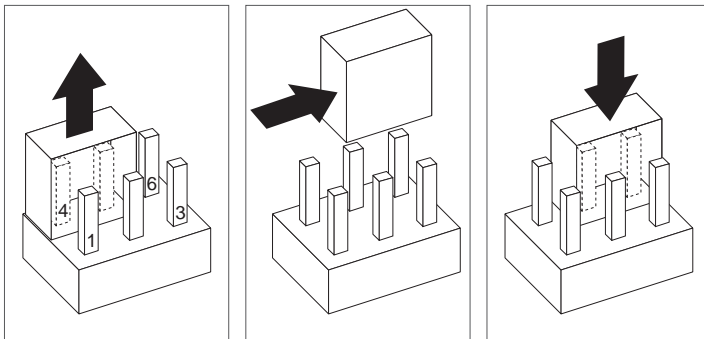
The diskette write-protect jumper controls whether you can write information to a diskette using a diskette drive. The ability to prevent writing to a diskette is particularly useful if you are concerned about the security of information that can be obtained through a network.

Note: This jumper does not affect the ability to read information from a diskette.

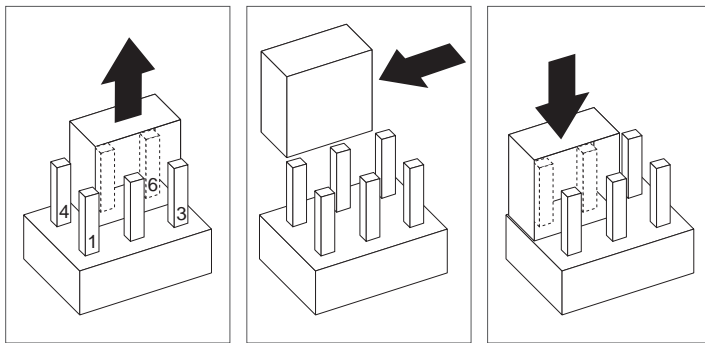
Before you begin

- Read “Electrical Safety” on page 4 and “Handling Static-Sensitive Devices” on page 5.
- Turn off the computer and all other connected devices.
- Disconnect all external cables attached to the computer, and then remove the computer cover (see “Disconnecting Cables and Removing the Cover” on page 6).

- 1** Locate jumper A in the planar jumper block on the system board. For more information, see “Identifying Parts on the System Board” on page 13 or see the label on the underside of the computer cover (the label refers to the jumper as A). You might have to move some cables out of the way to reach the jumper.
- 2** For normal diskette operation or for read-only diskette operation, set jumper A as illustrated below.
- 3** To allow normal (Read/Write) diskette operation, put the jumper on pins 5 and 6 on jumper A. It might be helpful to use needle-nose pliers to move the jumper, but be careful not to scrape any system board components or crush the jumper.



- 4** To allow read-only diskette operation, move the jumper from its normal position (pins 5 and 6) to pins 4 and 5.



Note: It is not necessary to turn the computer on and off to engage the new Read/Write setting.

What to do next

- To work with another option, go to the appropriate section.
- To complete the installation, go to Chapter 6, “Completing the Installation” on page 70.

Chapter 6. Completing the Installation

After working with options, you need to install any removed parts, replace the cover, and reconnect any cables you disconnected, such as power cords and telephone lines. Also, depending on the option installed, you might need to update information in the Configuration/Setup Utility program.

The following list is a quick reference to these procedures:

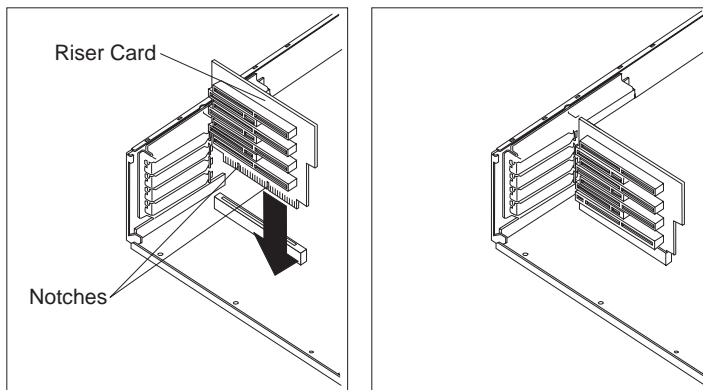
- “Installing the Riser Card” on page 71
- “Installing the Drive-Bracket Assembly” on page 72
- “Replacing the Cover and Connecting the Cables” on page 74
- “Updating the Computer Configuration” on page 77

Installing the Riser Card

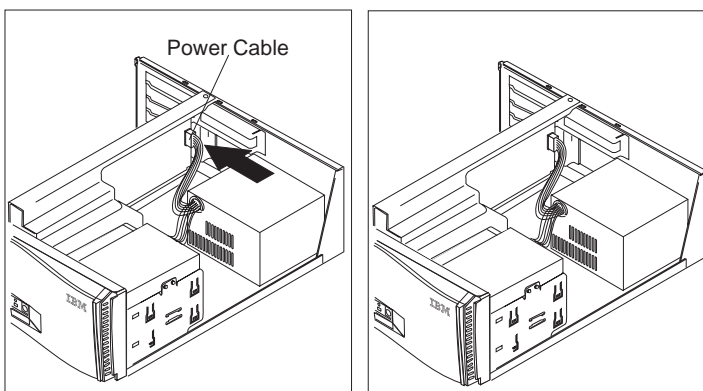
Before you begin

- Read “Electrical Safety” on page 4 and “Handling Static-Sensitive Devices” on page 5.

- 1** Position the riser card so that the two notches on the bottom edge align with the two notches in the connector on the system board.
- 2** Push the riser card straight down into the connector.



- 3** Install the drive-bracket assembly. For more information, see “Installing the Drive-Bracket Assembly” on page 72.
- 4** Reinstall the adapters and reconnect the power cable to the riser card. For information on installing adapters, see “Installing Adapters” on page 39.

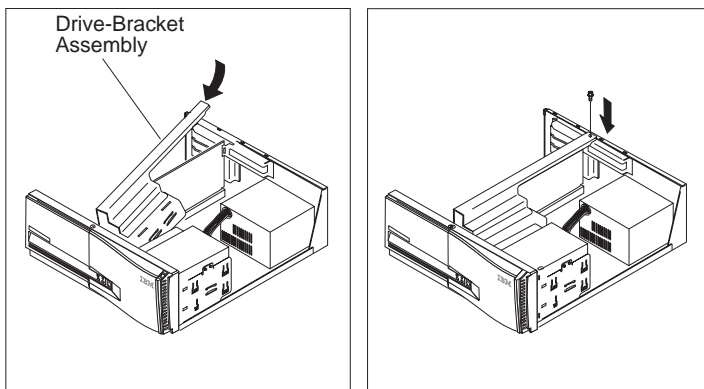


Installing the Drive-Bracket Assembly

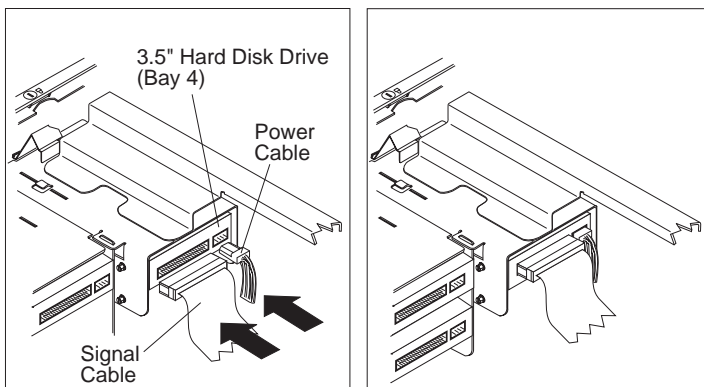
Before you begin

- Read “Electrical Safety” on page 4 and “Handling Static-Sensitive Devices” on page 5.

- 1** Insert the drive-bracket assembly into the computer. Ensure that the drive-bracket assembly is seated correctly.

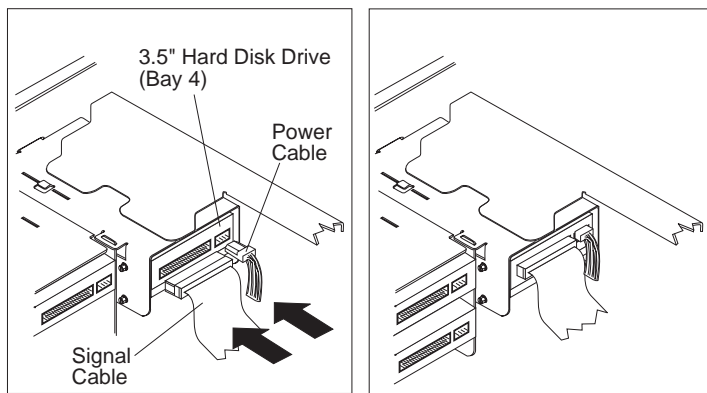


- 2** Insert and tighten the screw.
- 3** Insert the stabilizer clip to secure the drive bracket assembly.



To insert the stabilizer clip, slide the wide flat edge of it into the notched slot on the front of the computer and below the computer lock, and press in on the clip until the small hook catches under the edge of the drive bracket assembly.

- 4** Reconnect the cables to any drives that are installed in the drive-bracket assembly. The following illustrations show power and signal cables being connected to a drive in bay 4.



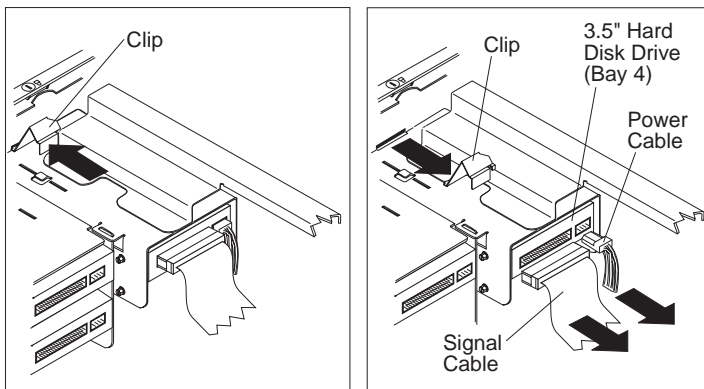
Replacing the Cover and Connecting the Cables

Before you begin

- Read “Electrical Safety” on page 4 and “Handling Static-Sensitive Devices” on page 5.

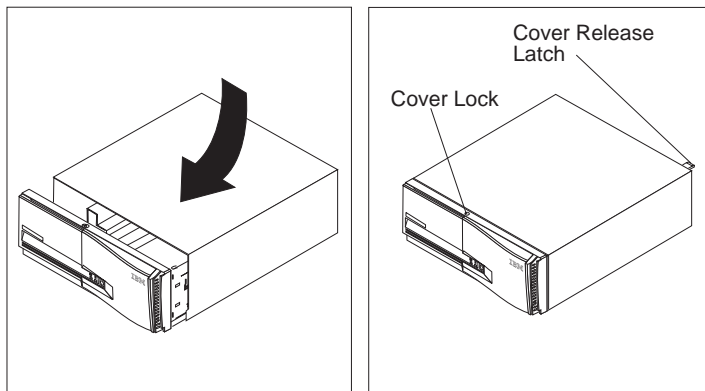
- 1** Ensure that all components have been reassembled correctly and that no tools or loose screws are left inside your computer.
- 2** If you have not already done so, insert the stabilizer clip to secure the drive bracket assembly.

To insert the stabilizer clip, slide the wide flat edge of it into the notched slot on the front of the computer and below the computer lock, and press in on the clip until the small hook catches under the edge of the drive bracket assembly.



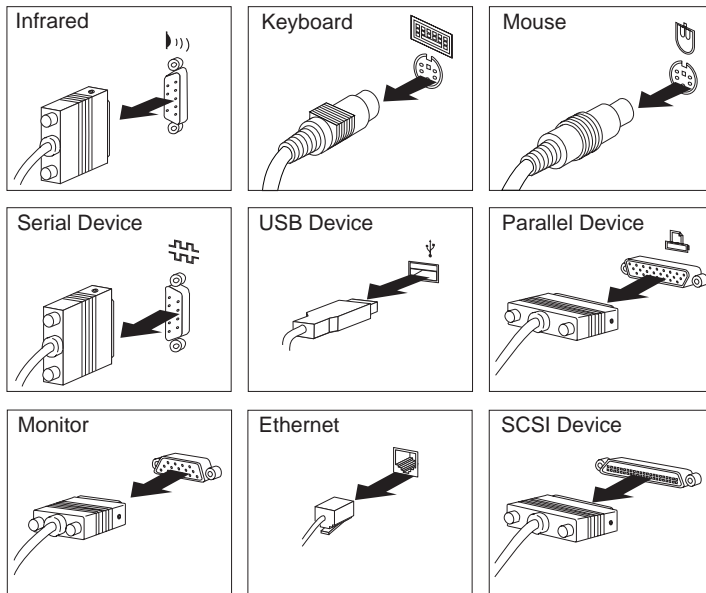
- 3** Clear any cables that might impede the replacement of the cover.

- 4** Place the cover on the computer frame as shown in the following illustrations. Secure the cover by sliding it forward until the cover release latch catches with the rear of the cover.



- 5** If desired, lock the cover. For more information on locking the computer cover, see *Using Your IntelliStationMPro*.

6 Reconnect the external cables and cords to the computer.



7 If you have a modem or fax machine attached to the computer, reconnect the telephone line to the wall outlet and the computer. Plug the power cords into properly grounded electrical outlets.

Important

In the United Kingdom, by law, the telephone cable must be connected after the power cord.

Updating the Computer Configuration

Important

The configuration information in this section applies to installing options. For more information on using the Configuration/Setup Utility program, see *Using Your IntelliStationMPro*.

Also, you may need to install device drivers after updating the configuration settings. For more information, see the instructions that come with the option to determine if device drivers are required and how to install them. Also, video device drivers are on the *Ready-to-Configure CD*.

After adding, removing, or replacing options, you must update the configuration settings. This reconfiguration is performed automatically by the computer or *manually* by you. When the computer automatically configures an option, it uses system programs. If the system programs do not update the settings, you can use the Configuration/Setup Utility program to reconfigure the appropriate settings.

For example, when you start your computer after adding most internal hard disk drives, the settings are automatically updated, and you use the Configuration/Setup Utility program to save those changes. However, if a resource conflict arises after an ISA legacy adapter is installed or removed, you must manually update the computer configuration and save the information.

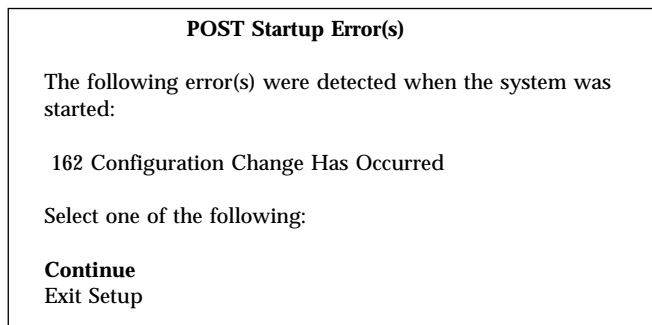
Notes:

1. Make a record of all customized settings before you perform any of the following steps.
2. For more information on error messages from resource conflicts, see *Using Your IntelliStationMPro*.

Starting the Configuration/Setup Utility Program

When you restart the computer for the first time after working with most options, a message appears indicating that a configuration change has occurred. You are then prompted to enter the Configuration/Setup Utility program to manually update the configuration settings or to confirm and save the settings that were automatically updated by the system programs.

After you change an option and restart the computer, the following screen might appear.



Note: Depending on the configuration changes that occurred, the error message you see might be different from the one shown here.

If the preceding screen appears, select **Continue** until you reach the Configuration/Setup Utility menu.

If the preceding screen does not appear, then use the following procedures to access the Configuration/Setup Utility menu.

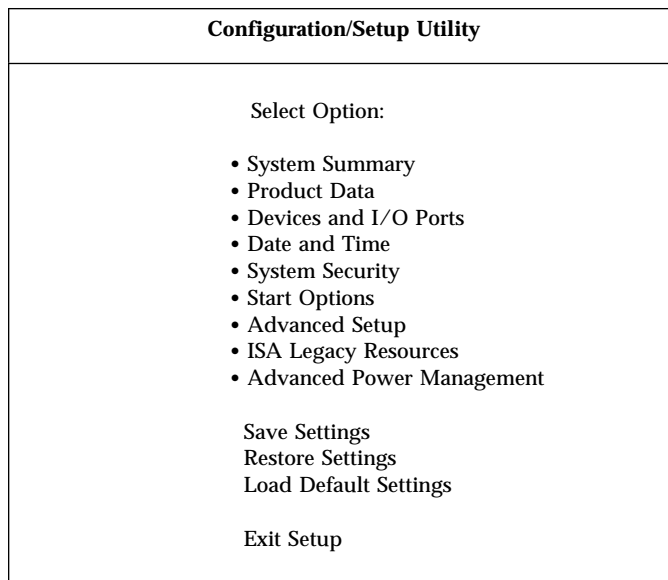
To access the Configuration/Setup Utility program:

1 Turn on the computer.

If your computer is on when you start this procedure, you must shut down the operating system, turn off the computer and wait a few seconds, and then restart the computer. Do not use **Ctrl+Alt+Del** to restart the computer.

2 When the Configuration/Setup Utility prompt appears in the lower-left corner of the screen, press **F1**.

- a. If you have *not* set an administrator password, the Configuration/Setup Utility program menu appears. If you have set an administrator password, type the administrator password and press **Enter**.
- b. If you have set both an administrator and a power-on password, you can type either of the passwords at the password prompt. However, if you type your power-on password, you can *view* limited information in the Configuration/Setup Utility program, but you cannot *change* settings. To change settings in the Configuration/Setup Utility program, type your administrator password at the password prompt.



Note: The menu you see on your computer might look slightly different from the menu shown here, but it will operate the same way.

Changing Settings and Exiting

In the Configuration/Setup Utility menus, you can accept the configuration changes by viewing and saving the changes, or you can make manual changes and then save the settings.

The following is a quick reference for identifying symbols in the Configuration/Setup Utility program. For information on the function of keys, see *Using Your IntelliStationMPro*.

- If a bullet (•) is beside a menu item, then an additional menu is available.
- Most information enclosed in brackets ([]) can be changed. You cannot change information that is not surrounded by [].

When you complete your changes or finish viewing information, return to the Configuration/Setup Utility menu and select **Save Settings** to save the changes. From this location, you can exit the Configuration/Setup Utility program.

To exit from the Configuration/Setup Utility program, follow these steps:

- 1** From the Configuration/Setup Utility menu, press **Esc**.
- 2** The Exit Setup menu appears. You can save your changes, exit from the Configuration/Setup Utility program without saving your changes, or return to the Configuration/Setup Utility menu. Use the arrow keys to select the desired option and press **Enter**.

Configuring an ISA Legacy Adapter

To configure an installed ISA legacy adapter, you might need to alter switch or jumper settings on the adapter. Also, you must use the Configuration/Setup Utility program to set the ISA legacy resource information, such as memory locations, I/O assignments, and DMA and interrupt assignments.

To configure an ISA Adapter, go to the Startup menu and change the Set Configuration Mode to Use BIOS Setup.

For more information about required resources and switch settings, refer to the documentation that comes with the adapter.

To set the legacy resource information for an installed adapter:

- 1** Start the Configuration/Setup Utility program (see “Starting the Configuration/Setup Utility Program” on page 78).
- 2** Change the **Set Configuration Mode to Use BIOS Setup**.
- 3** Select **ISA Legacy Resources** from the Configuration/Setup Utility menu.
- 4** As needed, select **Memory Resources, I/O Port Resources, DMA Resources, or Interrupt Resources**.
- 5** Set the appropriate resource to **Not available**.
- 6** Remember to save the changes when you exit from the Configuration/Setup Utility program.

If you remove an ISA legacy adapter, you must reset to **Available** the system resources that are no longer being used. To do this, follow the above procedure and select **Available** at step 4.

For more information on adapters and resolving conflicts, see “Adapter Configuration” on page 37 and Appendix C, “Interrupt and DMA Resources” on page 90.

Configuring Startup Devices

Startup devices are devices that the computer initiates when it is powered on. After adding new devices to the computer, you might want to change the sequence of the startup devices. You can use the Configuration/Setup Utility program to configure startup devices.

To configure startup devices:

- 1** Start the Configuration/Setup Utility program (see “Starting the Configuration/Setup Utility Program” on page 78).
- 2** Select Startup Sequence.
- 3** Select **Start Options** from the Configuration/Setup Utility menu.
- 4** Select **First Startup Device**.
- 5** Use the arrow keys to make your selection.
- 6** If necessary, repeat the above steps for **Second Startup Device**, **Third Startup Device**, and **Fourth Startup Device**.
- 7** Remember to save the changes when you exit from the Configuration/Setup Utility program.

Note: For information about selecting the Automatic Power On Startup Sequence, refer to *Using Your IntelliStationMPro*.

Setting Passwords

Note: For more information on password protection and setting the date and time, see *Using Your IntelliStationMPro*.

To reset the power-on or administrator passwords:

- 1** Start the Configuration/Setup Utility program (see “Starting the Configuration/Setup Utility Program” on page 78).
- 2** Select **System Security** from the Configuration/Setup Utility menu.
- 3** Select **Administrator Password** or **Power-on Password**.
- 4** Follow the instructions to change the password. For more information, see the passwords section of *Using Your IntelliStationMPro*.
- 5** Remember to save the changes when you exit from the Configuration/Setup Utility program.

Appendix A. Changing the Battery

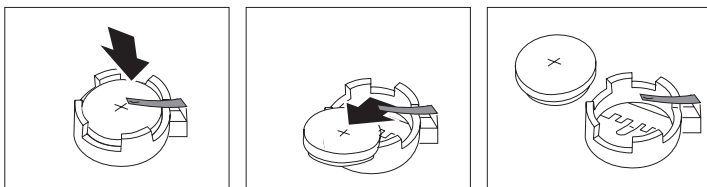
If you replace the original lithium battery with a heavy-metal battery or a battery with heavy-metal components, be aware of the following environmental consideration. Batteries and accumulators that contain heavy metals must not be disposed of with normal domestic waste. They will be taken back free of charge by the manufacturer, distributor, or representative, to be recycled or disposed of in a proper manner.

Before you begin

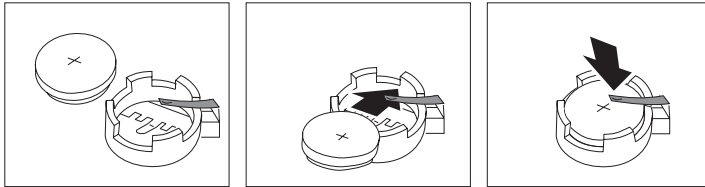
- Read “Electrical Safety” on page 4 and “Handling Static-Sensitive Devices” on page 5.
- Read the instructions that come with the replacement battery.
- Turn off the computer and all other connected devices.
- Disconnect all external cables attached to the computer and then remove the computer cover (see “Disconnecting Cables and Removing the Cover” on page 6 if you need additional information).

For information on locating the battery, see “Identifying Parts on the System Board” on page 13.

- 1** Remove the drive-bracket assembly. For instructions, see “Removing the Drive-Bracket Assembly” on page 15.
- 2** If necessary, remove the adapter installed on the single-slot side of the riser card. For instructions, see “Removing Adapters” on page 41.
- 3** Disconnect any cables from the system board that might impede access to the battery.
- 4** Read “Lithium Battery Notice” on page vi.
- 5** Remove the old battery as shown in the following illustrations.



6 Install the new battery as shown in the following illustrations.



Note: When the computer is turned on for the first time after the battery has been replaced, an error message might be displayed. This is normal.

What to do next

- To work with another option, go to the appropriate section.
- To complete the replacement, go to Chapter 6, “Completing the Installation” on page 70.
- Use the Configuration/Setup Utility program to set the date and time and any passwords. For information on setting the date and time, refer to *Using Your IntelliStationMPro*. For information on setting passwords, see “Setting Passwords” on page 83.
- Dispose of the old battery as required by local ordinances or regulations.

Appendix B. Installing an Optional Floor Stand

This appendix provides instructions to help you install or remove the optional IBM floor stand.

CAUTION:

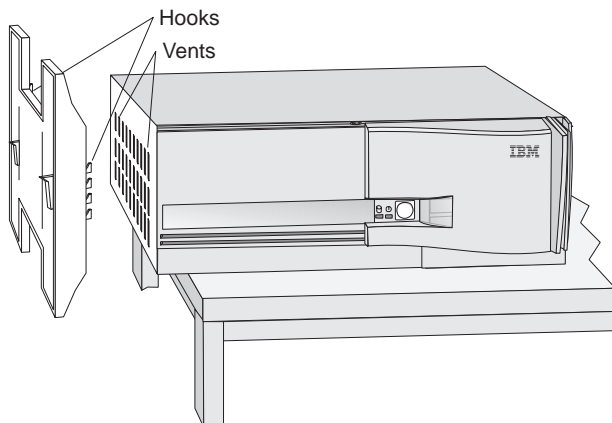
To avoid possible injury while moving or lifting the computer, ask another person to help you.

Installing the Floor Stand

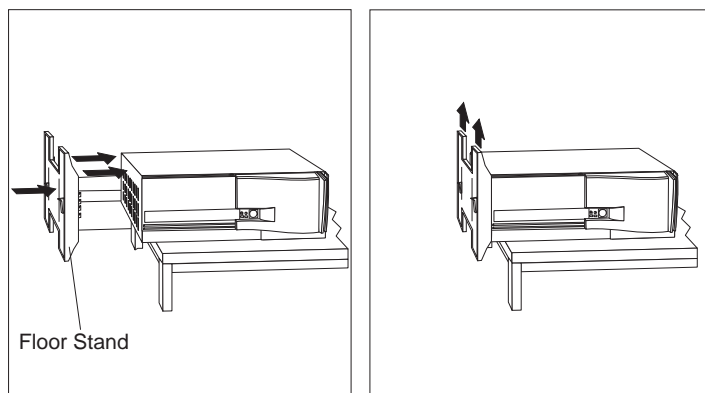
Before you begin

- Remove any media, such as CDs or diskettes, from the computer.
- Turn off the computer and disconnect all external cables and power cords.

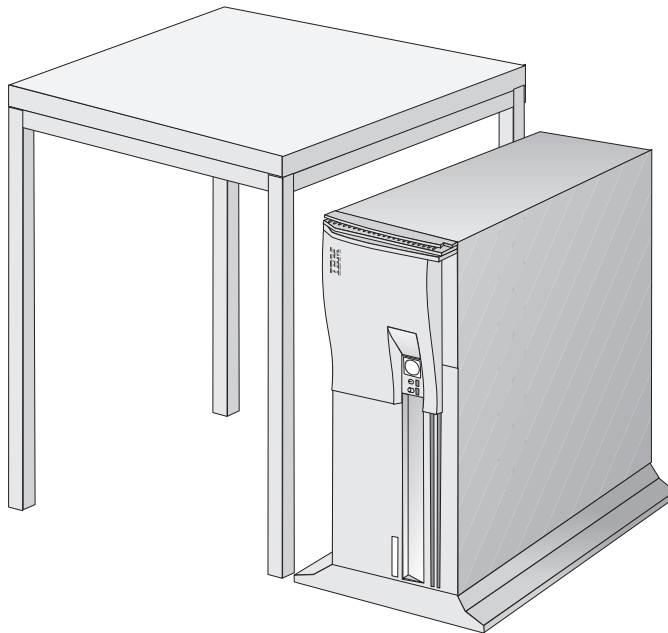
- 1** Position the computer right side up on a desk or table with the left side of the computer (the side with the air vents) facing you.
- 2** Extend the left side of the computer over the edge of the table approximately 40 mm (1.5 in.).
- 3** Align the hooks on the floor stand with the outer vents in the left side of the computer cover.



- 4** Hold the floor stand firmly against the computer and slide the stand upward. You will feel the floor stand snap into place. Check the stand to make sure it is securely attached.

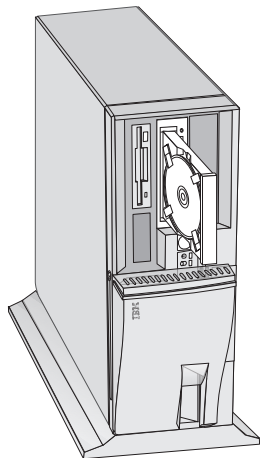


- 5** Carefully turn the computer so that it sits vertically on the floor stand.



- 6** When you use your computer in a vertical position, you must secure the CD in the CD-ROM drive by extending the lower retainers in the loading tray. The following illustration shows a CD installed in the loading tray of the drive.

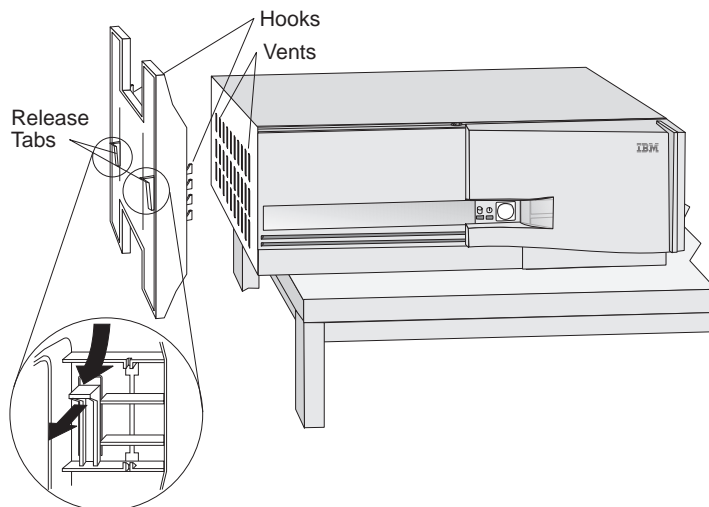
Note: For more information on inserting, securing, and unloading removable media, see *Using Your IntelliStationMPro*.



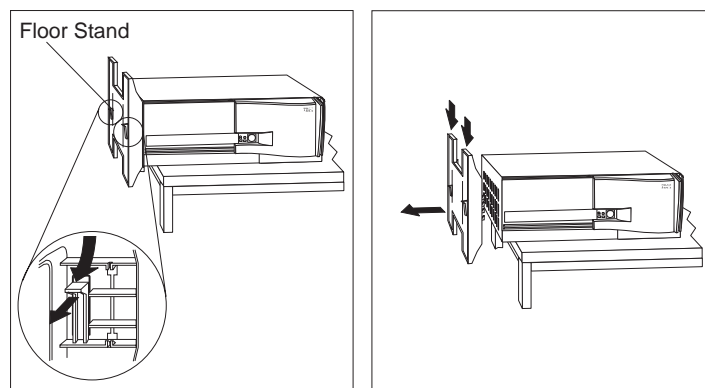
CD-ROM Drive with CD

Removing the Floor Stand

- 1** Position the computer right side up on a desk or table with the left side of the computer (the side with the floor stand) extending over the edge of the table approximately 40 mm (1.5 in.).
- 2** Locate the two release tabs on the bottom of the floor stand.
- 3** Hold the computer firmly against the desk or table, and press both release tabs downward.



- 4** Slide the stand downward and remove it from the computer cover. Be sure to hold onto the floor stand to prevent it from falling after it is released from the cover.



Appendix C. Interrupt and DMA Resources

This appendix lists the settings for the default interrupt and direct memory access (DMA) resources for your computer.

Note: The interrupt and DMA settings might change under configuration control.

Interrupt Request	System Resource
0	Timer
1	Keyboard
2	Interrupt Controller (Timer in APIC mode)
3 ¹	Infrared
4 ¹	Serial Port
5	Available
6	Diskette
7 ¹	Parallel Port
8	Real Time Clock
9	Available
10	Available
11	Available
12 ¹	Mouse
13	Coprocessor
14	IDE Drives (0, 1) if installed
15	IDE Drives (2, 3) if installed

DMA Request	Data Width	System Resource
0	8 bits	Available
1 ¹	8 bits	Infrared
2	8 bits	Diskette
3 ¹	8 bits	Parallel Port
4	–	Available
5	16 bits	Available
6	16 bits	Available
7	16 bits	Available

¹ Can be modified to alternative settings or disabled.

Appendix D. Notices

References in this publication to IBM products, programs, or services do not imply that IBM intends to make these available in all countries in which IBM operates. Any reference to an IBM product, program, or service is not intended to state or imply that only that IBM product, program, or service may be used. Subject to IBM's valid intellectual property or other legally protectable rights, any functionally equivalent product, program, or service may be used instead of the IBM product, program, or service. The evaluation and verification of operation in conjunction with other products, except those expressly designated by IBM, are the responsibility of the user.

IBM may have patents or pending patent applications covering subject matter in this document. The furnishing of this document does not give you any license to these patents. You can send license inquiries, in writing, to:

IBM Director of Licensing
IBM Corporation
500 Columbus Avenue
Thornwood, NY 10594
U.S.A.

Trademarks

The following terms are trademarks of the IBM Corporation in the United States or other countries or both:

IBM Wake on LAN
IntelliStation

The following terms are trademarks of other companies:

Intel, Pentium, and MMX are trademarks or registered trademarks of Intel Corporation.

S3 is a trademark of S3 Incorporated.

Intense 3D Intergraph Corp.
Intergraph Intergraph Corp.
Matrox Matrox Electronic Systems, Ltd.
MGA Millennium Matrox Graphics Inc.

Other company, product, and service names may be trademarks or service marks of others.

Index

A

- adapters
 - configuring 81
 - error messages 77
 - installing 39
 - legacy 38
 - plug and play 37
 - removing 14, 41
 - resource conflicts 37, 38, 77
 - slots 33
 - types 37
- adding
 - adapters 39
 - internal drives 47, 50
 - internal drives in bay 4 or 5 57
 - memory modules (DIMMs) 21
 - security U-bolt 60

B

- battery
 - accessing 14
 - disposing of 84
 - handling precautions 84
 - lithium battery notice vi, 84
 - location on system board 13
 - ordering replacements 84
 - replacing 84
 - safety notice 84
- bay panel
 - installing 54
 - removing 51
- bays, drive 43
- bracket, installing 72
- brackets
 - drive 11
 - installing 55
 - removing 15, 48

C

- cables
 - connecting 76
 - disconnecting 6
 - electrical safety 4
 - IDE 45
 - power 45
 - types for internal drives 45
- CD-ROM drive 8, 43, 44
- CMOS clearing 65
- completing the installation 70
- components, locating internal 8
- configuration
 - adapters 37, 77
 - computer, updating 77
 - erasing information 65
 - memory modules 20
 - resolving conflicts 77
- Configuration/Setup Utility
 - changing settings 80
 - exiting 80
 - ISA legacy resources 37, 77
 - main menu 79
 - purpose 77
 - resource conflicts 37, 77
 - starting 78
 - startup devices 82
 - using 77
- connecting
 - cables, external 76
 - input/output devices 9
 - internal drives 45
 - internal drives in bay 4 or 5 72
 - internal drives in bays 1, 2, and 3 55
- connectors
 - input/output 9
 - on system board 13
- cover
 - lock 7, 75
 - release latch 7

cover (*continued*)
removing 6
replacing 75

D

device drivers 77
devices
 handling static-sensitive 5
 startup 82
DIMMs
 See memory modules
direct memory access (DMA) resources 90
disconnecting
 cables, external 6
 safety 4
disk drive, hard 43, 44
diskette drive 43, 44
diskette write protect 68
disposing of batteries 84
DMA (direct memory access) resources 90
drive
 See also internal drives
 bays 43
 bracket assembly, removing 15
 brackets 15
 cables 45
 specifications 44
 support bracket, removing 48

E

error messages, resource conflicts 37, 77
expansion slots for adapters 33

F

fan connector, location of 13
fixed-disk drive 43, 44
floor stand
 installing 86
 removing 89
 securing removable media in CD
 drives 87

floppy-drive connector, location of 13
forgotten password 63

H

handling
 batteries 84
 static-sensitive devices 5
hard disk drive 43, 44
hardware, removing 14
home page, IBM Personal Computer 3

I

IDE devices
 connecting 45
 primary connector 13
 secondary connector 13
identifying system board parts 13
infrared port 9
installation
 electrical safety 4
 options 2
 overview 1
 static-sensitive devices 5
installing
 adapters 39
 battery 85
 bay panel 54
 cover 75
 drive-bracket assembly 72
 drive-support bracket 55
 floor stand 86
 internal drives in bay 4 or 5 57
 internal drives in bays 1, 2, and 3 47,
 50
 memory modules (DIMMs) 21
 microprocessor upgrade 24
 riser card 71
 security U-bolt 60
internal drives
 bays for 43, 44
 cables for 45
 height requirements 44
 height restrictions 32

- internal drives (*continued*)
 - installing in bay 4 or 5 57
 - installing in bays 1, 2, and 3 47, 50
 - introduction 43
 - options 43, 44
 - removing from bay 4 or 5 58
 - removing from bays 1, 2, and 3 47, 52
 - types 43, 44
- Internet home page 3
- interrupt resources 90
- ISA legacy resources 37, 77
- ISA slots 33

J

- jumper
 - accessing 14
 - CMOS clear 65, 83
 - diskette write protect 68
 - location on system board 13
 - password 63

K

- keyboard port 9

L

- laser compliance statement vii
- layout, system board 13
- legacy adapters 38, 81
- locating
 - adapters 33
 - drive bays 43
 - expansion slots 33
 - internal components 8
 - system board components 13
- lock, cover 7, 75
- lost password 63

M

- memory
 - See* system memory

- memory modules
 - accessing 14
 - configuration 20
 - installing 21
 - location on system board 13
 - removing 23
 - types 19
- microprocessor
 - accessing 14
 - location on system board 13
 - replacing 25
 - upgrade 24
- Modem Ring Detect, hardware for 2
- monitor connector 9
- motherboard
 - See* system board
- mouse port 9

N

- notices 91

O

- options
 - adapters 37
 - available 2
 - floor stand 86
 - internal drives 43, 44
 - introduction 1
 - memory modules 19
 - microprocessor 24, 25
 - security 59
 - security U-bolt 60

P

- parallel port 9
- passwords
 - removing 63
 - setting 83
- PCI slots 33
- planar
 - See* system board

- plug and play
 - adapters 37
- ports 7, 76
- power cable 45
- power connectors (internal), location of 13
- power cords
 - connecting 76
 - disconnecting 6
 - internal drives 45
- precautions
 - battery handling 84
 - electrical safety 4
 - handling static-sensitive devices 5
- preparing for installation 6
- processor
 - See microprocessor

R

- removing
 - adapters 14, 41
 - administrator password 63
 - battery 85
 - bay panel 51
 - cover 7
 - drive-bracket assembly 14, 15
 - drive-support bracket 48
 - floor stand 89
 - hardware 14
 - internal drives from bay 4 or 5 58
 - internal drives from bays 1, 2, and 3 47, 52
 - memory modules (DIMMs) 23
 - microprocessor 25
 - power-on password 63
 - riser card 14, 17
- replacement batteries, ordering 84
- replacing
 - battery 84
 - cover 75
 - microprocessor 25
- resource conflicts 32, 77
- resource conflicts, error messages 37
- ribbon cables 45

- riser card
 - expansion slots 33
 - installing 71
 - ISA slots 33
 - location on system board 13
 - PCI slots 33
 - removing 14

S

- safety
 - electrical 4
 - information v
 - procedures and guidelines 1
- safety notice, battery 84
- SCSI (small computer system interface)
 - securing removable media in CD drives 87
- security options 59
- serial port 9
- Serial Port Ring Detect, hardware for 2
- setting passwords 83
- signal cables for internal drives 45
- slots
 - adapters 39
 - expansion 39
 - expansion, ISA/PCI 33
- startup devices, configuring 82
- static-sensitive devices, handling 5
- support bracket, drive 11, 48
- system board
 - accessing 14
 - components 2
 - description 13
 - identifying parts 13
 - layout 13
 - options 12
- system memory
 - increasing 19
 - installing a DIMM 21
 - purpose 19
 - removing a DIMM 23

T

tape drive 43, 44
telephone line
 connecting 76
 disconnecting 6
tools required 3
trademarks 91

U

U-bolt, installing 60
unknown power-on password,
 removing 63
updating computer configuration 77
upgrading
 memory modules 19
 microprocessor 24
USB port 9
utility program, setup 77

V

video port 9
voltage regulator module (VRM), location
 of 13

W

Wake on LAN, hardware for 2
World Wide Web home page 3



Part Number: 84H8250

Printed in U.S.A.

March 1997

84H8250

