
HP OmniBook 800 Docking System

User's Guide

Notice

This manual and any examples contained herein are provided “as is” and are subject to change without notice. Hewlett-Packard Company makes no warranty of any kind with regard to this manual, including, but not limited to, the implied warranties of merchantability and fitness for a particular purpose. Hewlett-Packard Co. shall not be liable for any errors or for incidental or consequential damages in connection with the furnishing, performance, or use of this manual or the examples herein.

Consumer transactions in Australia and the United Kingdom: The above disclaimers and limitations shall not apply to Consumer transactions in Australia and the United Kingdom and shall not affect the statutory rights of Consumers.

© Copyright Hewlett-Packard Company 1996. All rights reserved. Reproduction, adaptation, or translation of this manual is prohibited without prior written permission of Hewlett-Packard Company, except as allowed under the copyright laws.

The programs that control this product are copyrighted and all rights are reserved. Reproduction, adaptation, or translation of those programs without prior written permission of Hewlett-Packard Co. is also prohibited.

Portions of the programs that control this product may also be copyrighted by Microsoft Corporation, Microcom Systems, Inc., SystemSoft Corp., and NeoMagic, Inc. See the individual programs for additional copyright notices.

Microsoft, MS, MS-DOS, and Windows are registered trademarks of Microsoft Corporation in the United States and/or other countries.

For warranty information, see the *Support and Service* booklet.

Hewlett-Packard Company
Mobile Computing Division
1000 N.E. Circle Blvd.
Corvallis, OR 97330, U.S.A.

Edition History

Edition 1 May 1996
Edition 2 October 1996



This manual is printed on recycled paper.

Contents

1 Using the Docking System	1-5
Understanding the Basics	1-8
To dock the OmniBook	1-8
To undock the OmniBook	1-11
To manually undock the OmniBook	1-13
To attach a security cable	1-14
To set a docking password	1-15
To understand docking status lights	1-16
To turn docking messages off (or on)	1-16
Making Connections	1-17
To connect an external keyboard	1-18
To connect a PS/2 mouse	1-18
To connect a serial mouse	1-19
To switch back to the OmniBook pop-out mouse	1-20
To connect an external display	1-20
To enable the built-in and external displays simultaneously	1-21
To connect a parallel device	1-21
To connect a serial device	1-22
To connect your audio equipment	1-22
To connect SCSI devices	1-23
To install an ISA or PCI expansion board	1-25
To remove a device from the Undocked configuration	1-29
Using a Video Card	1-31
To install a video card	1-31
Elements That Are Not Displayed	1-31
To dock an OmniBook with a video card	1-32
To undock an OmniBook with a video card	1-32
2 Troubleshooting	1-33
Solving Basic Problems	1-35
To resolve operating problems	1-35
To resolve docking problems	1-37

3 Specifications and Regulatory Information	1-39
Hardware Specifications	1-41
Regulatory Information	1-42
U.S.A.	1-42
Canada	1-43
Japan	1-43
Europe	1-44

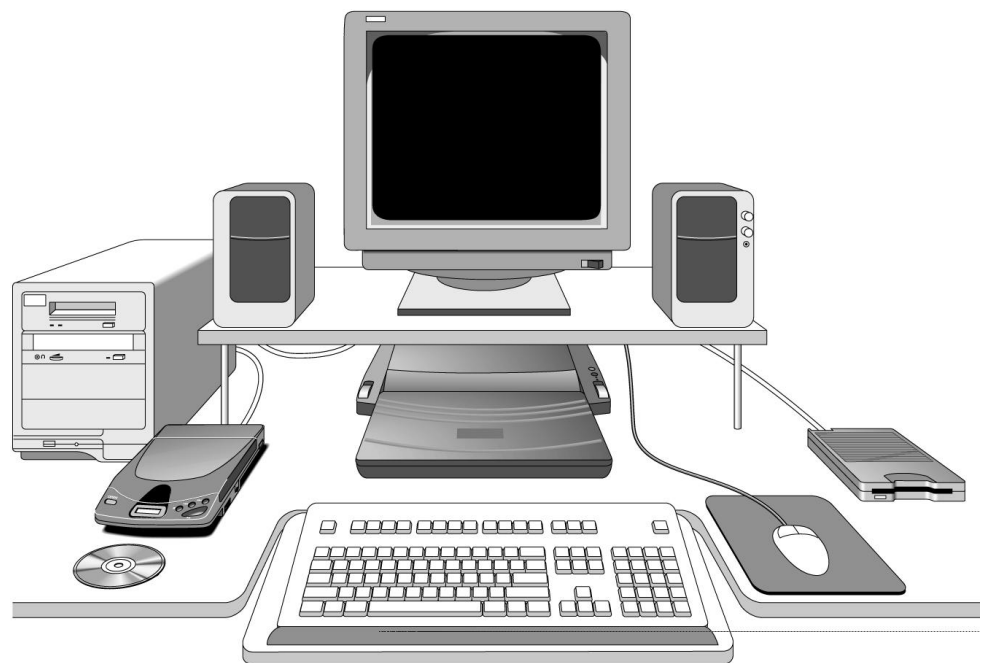
Using the Docking System

Using the Docking System

Congratulations! With the purchase of your OmniBook docking system, the transformation of your OmniBook 800 into a *true* desktop replacement is complete. It delivers the premium performance you need for true desktop computing—and is backed by HP's unmatched quality, reliability, and customer satisfaction.

By making one connection—plugging your OmniBook into the docking system—you can get convenient access to these connections:

- ◆ External keyboard and mouse.
- ◆ External display.
- ◆ Floppy drive.
- ◆ Parallel and serial devices.
- ◆ Headphones or external speakers.
- ◆ SCSI devices.
- ◆ ISA or PCI expansion board.



How to Use This Manual

The procedures in this manual differ slightly depending on the operating system you've installed—Windows 95 or Windows for Workgroups. Read each step carefully to see if it applies to your operating system.

What About Other Operating Systems?

If you've installed another operating system on the OmniBook—Windows NT or OS/2 for example—follow the general procedures under Windows for Workgroups. Instead of exiting Windows (when so instructed), exit the operating system you are using.

Other Sources of Information

Your OmniBook provides these additional manuals:

- The online OmniBook *User's Guide* introduces the OmniBook and shows you how to operate and maintain your OmniBook. It also contains troubleshooting information.
- The *Introducing Microsoft Windows 95* manual, shipped with your OmniBook, contains information about using the standard features of Windows 95.

You can also find technical information on the Internet. Visit the World Wide Web support site at <http://www.hp.com/go/omnibook>

Understanding the Basics

This section shows you how to get your docking system and OmniBook up and running quickly, including how to

- ◆ Dock the OmniBook.
- ◆ Undock the OmniBook—including manual override.
- ◆ Protect the OmniBook with a security cable.
- ◆ Understand the docking system's status lights.

To dock the OmniBook

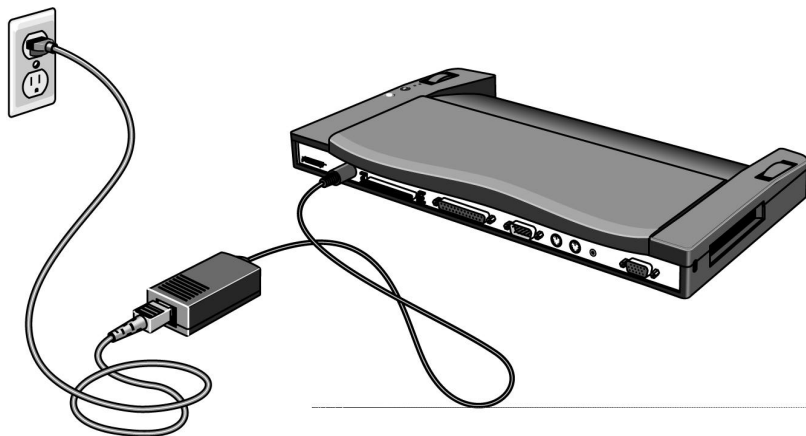
You do not need to turn the OmniBook off when docking.

1. If you're using Windows 95, go to step 2.

—or—

If you're using Windows for Workgroups, save your work and exit Windows. You'll be rebooting the OmniBook.

2. Plug the power cord into the ac adapter, then into a grounded ac outlet.
3. Plug the connector from the ac adapter into the port on the back of the docking system.



CAUTION

Do not use the ac adapter from another product. Using an improper adapter could damage your equipment and will make your warranties invalid.

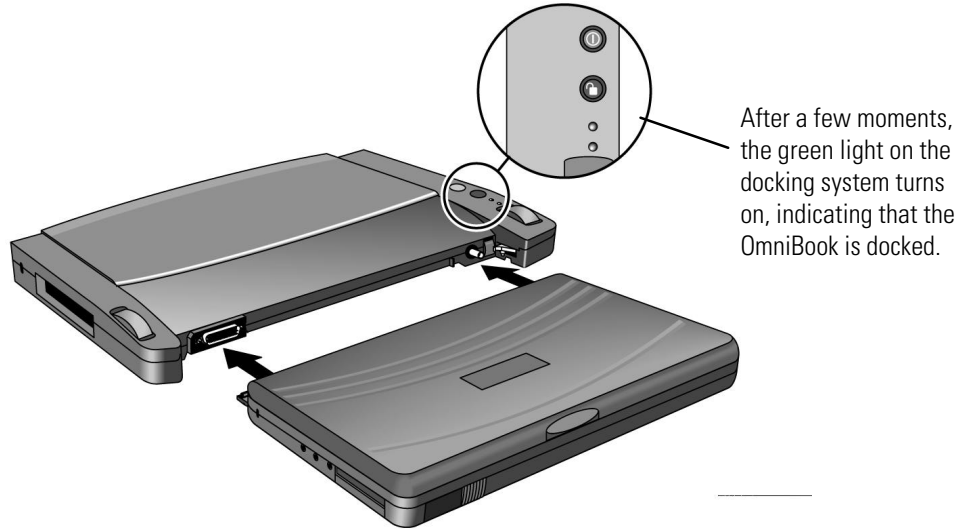
The OmniBook's F1044B ac adapter can power the OmniBook with the docking system *only*, and *not* the CD-ROM drive or the Power Clip battery charger at the same time. Attempting to power more than one of these peripheral devices with this adapter can cause data loss or hardware damage to your systems. To use more than one of these peripheral devices at a time, you must use an HP F1140A ac adapter instead, which can power all these devices simultaneously, *or else* give each additional device its own F1044B ac adapter.

4. On the OmniBook, open the rear door that covers the connectors.



Using the Docking System
Understanding the Basics

5. Slide the OmniBook into the docking system until it's fully seated. Press firmly. The docking system locks onto the OmniBook so you can't accidentally separate them.



6. If you're using Windows 95 and docking for the first time, Windows 95 automatically configures the OmniBook for use with a docking system. This takes several minutes. Thereafter, Windows 95 automatically switches to the "docked" hardware profile. For more information about docked profiles, see the OmniBook's online *User's Guide*.

—or—

If you're using Windows for Workgroups, reboot the OmniBook to configure your system.

7. If you are using Windows 95, follow the procedure "To remove a device from the Undocked configuration" on page 29 to remove the SCSI controller from the definition of the Undocked configuration.

Note

If you have a video card installed

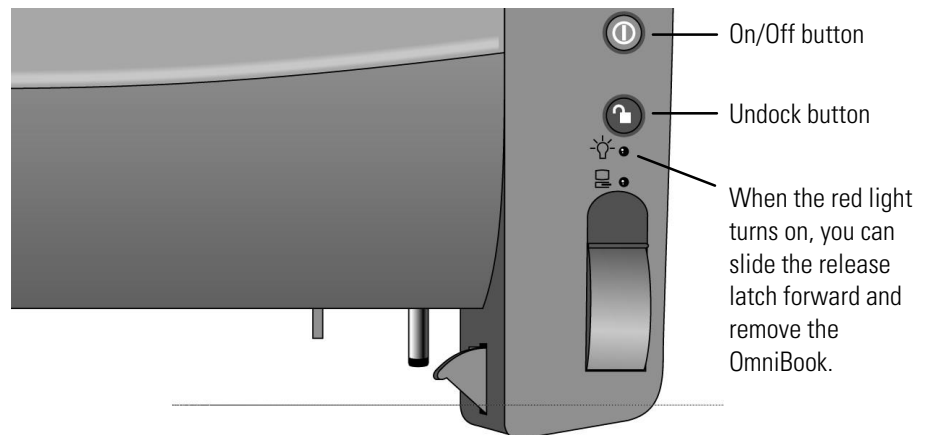
You must reboot the OmniBook whenever you dock it, regardless of the operating system. Refer to "Using a Video Card" for more information.

To undock the OmniBook

1. Make sure ac power is connected to the docking system.
2. If you're using Windows 95, go to step 3.
–or–
If you're using Windows for Workgroups, save your work and exit Windows. You'll be rebooting the OmniBook.
3. Exit any applications that are using SCSI or network devices.
4. If you have a video card installed and are using Windows 95, select Start, Shut Down, Shut Down the Computer.
5. Press the Undock button on the docking system.



Undock button

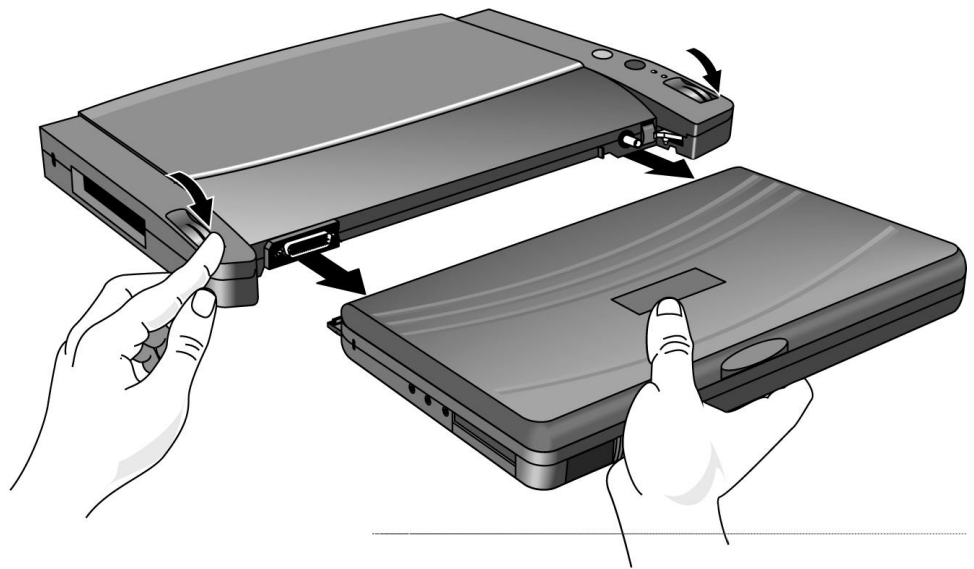


When the red light turns on, you have approximately 10 seconds to slide the release latch forward and remove the OmniBook—otherwise, the OmniBook automatically docks again.

If you have a video card installed and a docking password set, then the screen will become blank and beep repeatedly until you enter the password.

Using the Docking System
Understanding the Basics

6. Slide forward a release latch on the docking system and remove the OmniBook.



7. If you're using Windows for Workgroups, reboot the OmniBook.

Note

If you have a video card installed

If you have a docking password set, then the screen will become blank and beep repeatedly when you need to enter the password.

After undocking, the OmniBook will reboot *automatically* the next time you turn it on.

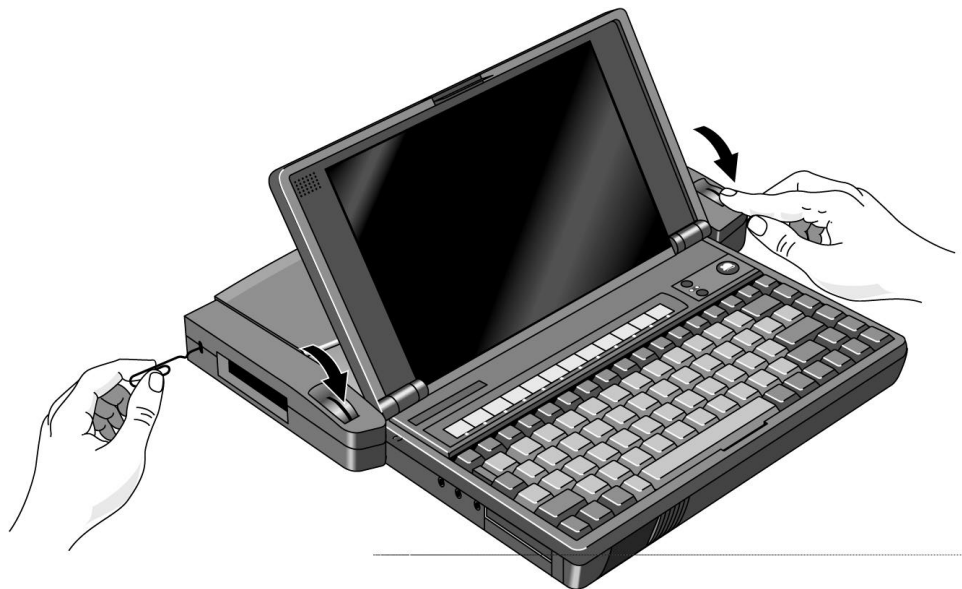
Refer to "Using a Video Card" for more information.

To manually undock the OmniBook

If for some reason you can't undock the OmniBook using the Undock button, you can manually unlock it.

Manual undocking overrides password protection. To secure your OmniBook while docked, keep a Kensington MicroSaver lock attached to the security connector on the docking system. (See the following topic for instructions.)

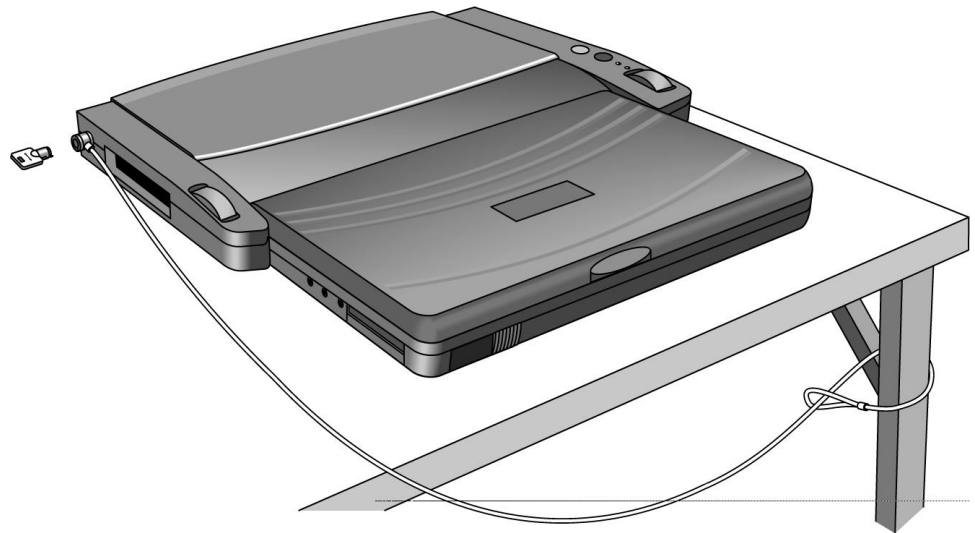
1. Save your work and, if necessary, exit Windows. If you're using Windows 95, be sure to use the shutdown option from the Start menu.
2. Insert a paper clip or other thin object into the security opening.
3. Press the clip inward and while holding it, slide one of the release latches forward.
4. After manually undocking the OmniBook, press the reset button on the OmniBook.



To attach a security cable

Your docking system has a built-in security connector that allows you to secure the docking system with a cable. Kensington MicroSaver lock systems work with these connectors and are available at many computer stores. When a security cable is attached to the docking system—and an undock password is set—the OmniBook cannot be undocked without supplying the password. (See the following procedure for instructions about how to set a docking password.)

1. Wrap the cable around a stationary object, such as a table leg.
2. Loop the cable to create a slip knot around the stationary object—make sure it can't slip off.
3. Insert the lock into the docking system's security connector and release the key.
Store the key in a safe place away from the OmniBook.



To set a docking password

Password security protects access to your OmniBook. If you use password security, you must enter the password at certain times (defined in Password Options). This is where you specify a docking password.



This symbol means a password has locked access to the system. (If you have a video card installed, this symbol does not appear, but the screen goes blank and the computer beeps.) Type the password to gain access. Be sure you record your password in a safe place. To restore operation if you forget your password, you'll have to call Hewlett-Packard at the number in the *Service and Support* booklet or select the OmniBook Support icon in the online OmniBook Library group.

1. Exit Windows, then reboot the OmniBook.
2. When you see the following message:

Press <F2> to enter System Configuration Utility
immediately press F2 to open the System Configuration Utility. *The mouse does not work in this environment.*

3. Press ALT+S to open the System menu, then select Passwords.
4. Under Password options, select Undock.

This enforces that you enter the password in order to undock the OmniBook from a docking system.

To understand docking status lights

The red and green lights on the docking system indicate the current status of the docking system. The following table explains the status lights:

Status	red light	green light
AC adapter has been connected to the docking system. Docking system is powered and ready to go.	on	off
The OmniBook has been inserted into the docking system. OmniBook is in the process of docking.	on	off
OmniBook is fully docked and ready to use.	off	on
The Undock button has been pressed. The OmniBook is ready to eject.	on	off

To turn docking messages off (or on)

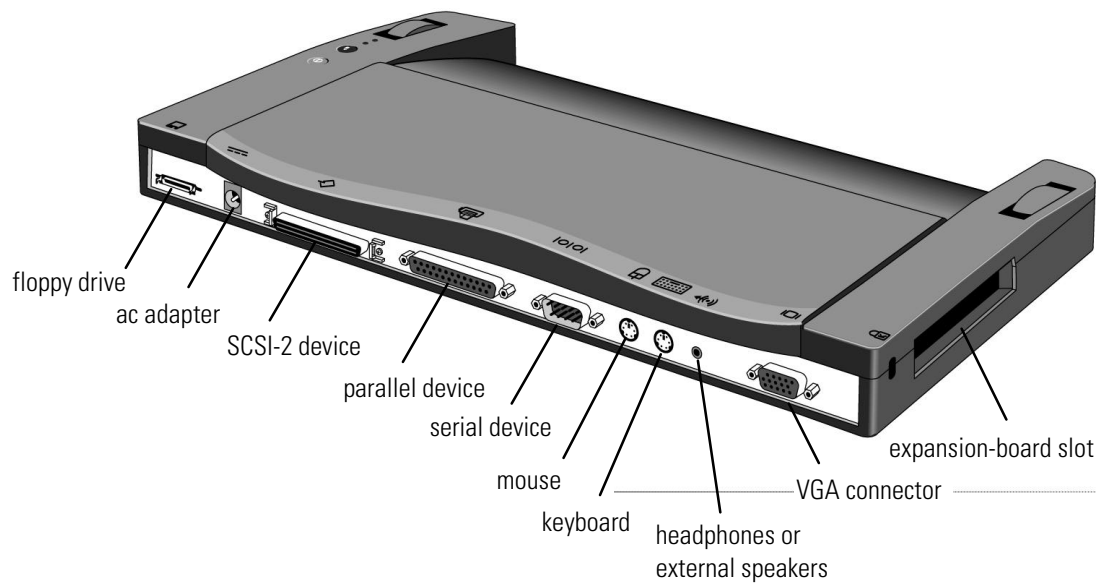
The System Configuration Utility provides a setting for turning docking system messages on and off. You must reboot the computer to run the System Configuration Utility. *Docking messages are not available under Windows 95.*

1. Exit Windows, then reboot the OmniBook.
2. When you see the following message:

Press <F2> to enter System Configuration Utility
immediately press F2 to open the System Configuration Utility. *The mouse does not work in this environment.*
3. Press ALT+S to open the System menu.
4. Select the Docking Messages menu item. Press the spacebar to uncheck or check it..

Making Connections

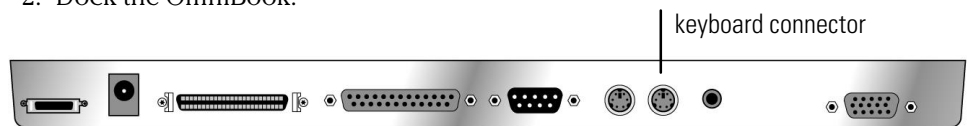
- ◆ Power (ac adapter).
- ◆ External keyboard.
- ◆ External mouse.
- ◆ External display.
- ◆ Floppy disk drive.
- ◆ Printer or other parallel device (25-pin).
- ◆ Modem or other serial device (9-pin).
- ◆ Headphones or external speakers.
- ◆ External CD-ROM drive or other SCSI-2 device.
- ◆ Network access and other types of ISA and PCI boards (in the expansion-board slot).



To connect an external keyboard

You can use the built-in and external keyboards while docked.

1. Attach the keyboard cable to the docking system.
2. Dock the OmniBook.



Hint

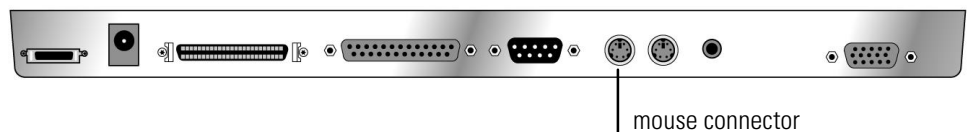
If you are using a docking system with an external keyboard without an FN key, substitute the keystrokes CTRL+ALT for FN. You must also select the option Enable external FN key:

- For Windows 95, click Start, HP User Tools, Settings, OmniBook External Devices.
- For Windows for Workgroups, from Program Manager choose Main, OmniBook Tools, then Input Devices.

To connect a PS/2 mouse

The OmniBook has a PS/2 mouse driver installed. When you dock, the OmniBook automatically detects and sets up the mouse.

1. Attach the mouse cable to the docking system.
2. Dock the OmniBook.
3. If you're using Windows for Workgroups, reboot the OmniBook.



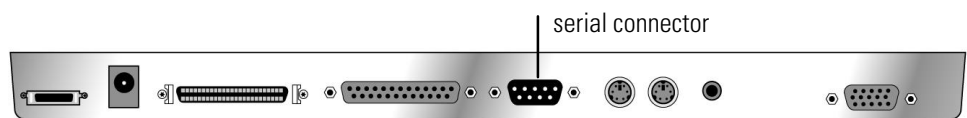
To connect a serial mouse

1. If you're using Windows 95, go to step 2.

–or–

If you're using Windows for Workgroups, save your work and exit Windows. You'll be rebooting the OmniBook.

2. Attach the serial cable to the docking system.



3. Dock the OmniBook.
4. If you're using Windows 95, go to step 5.

–or–

If you're using Windows for Workgroups, reboot the OmniBook.

5. This step sets up the serial mouse for use.

If you're using Windows 95

- Click Start, Settings, Control Panel, Mouse, General.
- Click Change, then select Standard Serial Mouse.

If you're using Windows for Workgroups

- From Program Manager, select Windows Setup.
- Select Serial Mouse.

To switch back to the OmniBook pop-out mouse

Use this procedure to switch back to the built-in OmniBook mouse from an external mouse.

1. Save your work.
2. Disconnect the mouse cable from the docking system.
3. Reboot the OmniBook.

To connect an external display

Use this procedure to connect an external display to your OmniBook. Before beginning, check the documentation for your display and make sure that the external display supports standard VGA or super VGA format.

1. Plug the VGA cable from the external display into the VGA connector at the back of the docking system.
2. Dock the OmniBook.

The OmniBook automatically recognizes and activates the external display. The built-in display turns off. If you want to run the built-in display and an external display simultaneously, see the following procedure for instructions.



To enable the built-in and external displays simultaneously

If you enable the built-in display while running the external display, you may notice a slight dimming while the external display is connected. If the display resolutions for the two displays are not the same, panning may result.

The System Configuration Utility provides a setting for turning the built-in display on and off. You must reboot the computer to run the System Configuration Utility.

1. Exit Windows, then reboot the OmniBook.

2. When you see the following message:

Press <F2> to enter System Configuration Utility
immediately press F2 to open the System Configuration Utility. *The mouse does not work in this environment.*

3. Press ALT+I to open the Input/Output menu.

4. Select External Devices, then select Both External VGA and LCD.

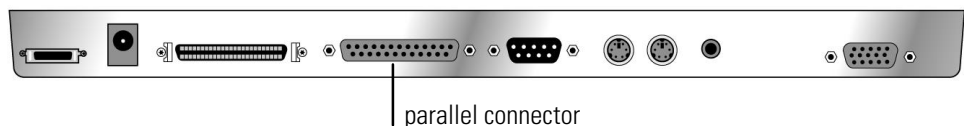
To connect a parallel device

The docking system's 25-pin parallel port is a standard enhanced (EPP/ECP) parallel port. The most common types of parallel connections involve connections to printers and to other computers.

1. Attach the parallel cable to the parallel connector.

2. Dock the OmniBook.

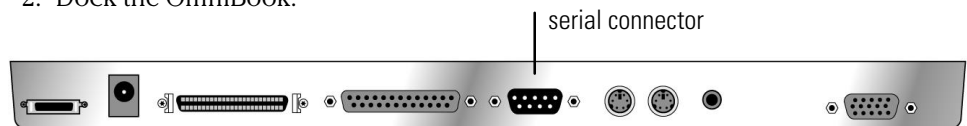
3. If necessary, install your printer or other device driver. See your Windows manual for instructions.



To connect a serial device

The docking system's 9-pin serial port is a standard serial port, just like those found on many PCs. The most common types of serial connections involve printers, modems, and other computers. You can make such connections using standard serial cables and adapters available at computer dealers and electronic supply stores. Use the following procedure to connect a modem, serial printer, or serial cable.

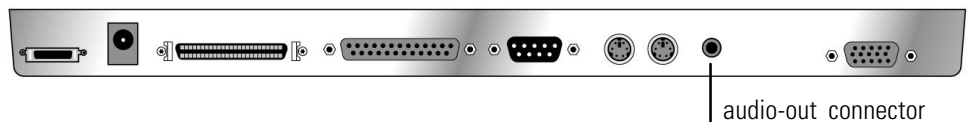
1. Attach the serial cable to the serial connector.
2. Dock the OmniBook.



To connect your audio equipment

You can connect stereo speakers to the docking system or connect headphones to the OmniBook. In either case, an audio cable must connect the audio source to the OmniBook's audio-in connector.

- Attach the speaker cable to the audio-out connector. The OmniBook's internal speakers remain in use unless you plug the speaker cable into the OmniBook *instead of* the docking system.



- Attach headphones to the *OmniBook's* headphone connector. (If you attach the headphones to the docking system, the OmniBook's internal speakers remain in use.)

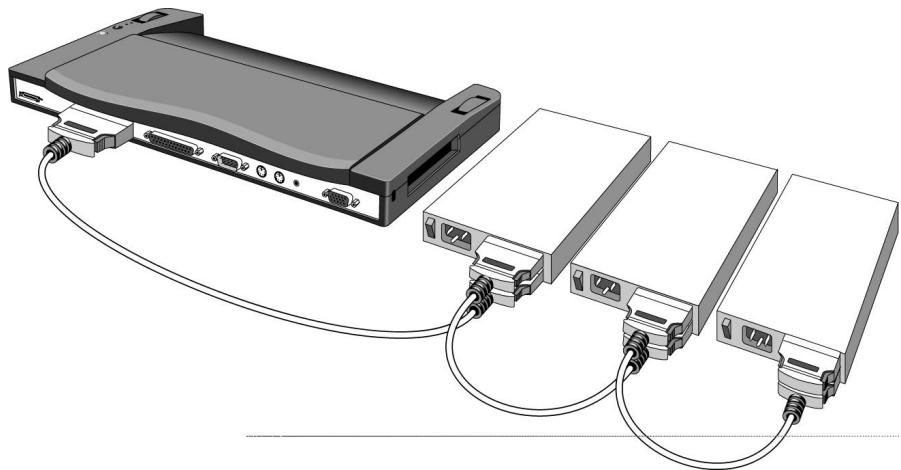
To connect SCSI devices

SCSI devices are disabled whenever you turn off the system or undock.

1. Make sure that each SCSI device is set to a different SCSI ID number, ID 1 through ID 6. Do not use ID 0. See the device's documentation for instructions for checking and changing the device's ID.
2. Set the SCSI bus termination for each device.


The device at the end of the SCSI bus must be terminated, while the devices in the middle of the bus must have their terminators removed or disabled. The device's documentation describes how to check and change the termination.

3. Connect the peripheral devices to the docking system one after the other—a "daisy-chain" connection.



4. Plug each SCSI device into a proper electrical outlet. See the device's documentation for details.

Using the Docking System
Making Connections

- 
5. If you're using Windows 95, the OmniBook automatically detects the new device and sets it up for you. If necessary, Windows requests information about the device.

–or–

If you're using Windows for Workgroups

- Exit Windows.
 - Dock the OmniBook.
 - Reboot the OmniBook.
6. If you're using Windows 95, follow the procedure, "To remove a device from the Undocked configuration," after the next topic. You should check for and remove any Undocked configuration for a SCSI device.

To install an ISA or PCI expansion board

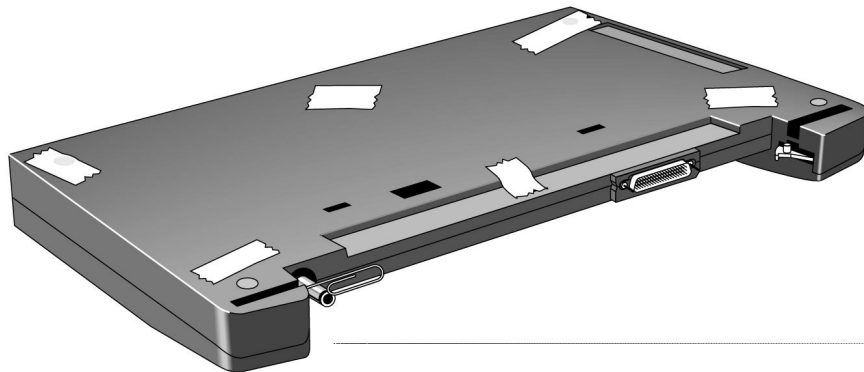
You can install one expansion board in the docking system, such as one network card or one PCI video card.

- Note that if you install a network board, a network connection is lost whenever you undock.
- If you install a video card, see also “Using a Video Card.”

CAUTION

Before removing the board from its bag, equalize static electricity by touching the bag and the docking system’s metal back plate at the same time. Handle the board by its edges. Avoid touching electronic components.

1. Undock the OmniBook and unplug the ac adapter from the docking system.
2. Turn the docking system over and loosen screws in the positions shown. Place a piece of tape over each inset to hold the screws in place.

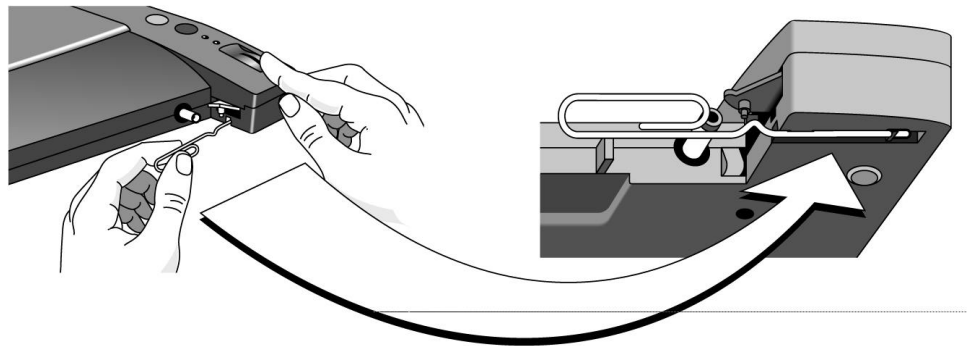


Using the Docking System
Making Connections

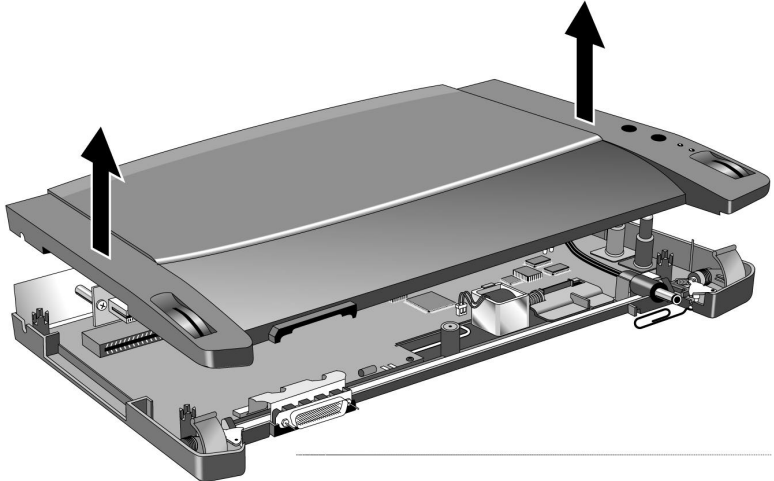
3. Turn the docking system over. Insert a straightened paper clip or other thin object into the security connector and press firmly while sliding a release latch forward.



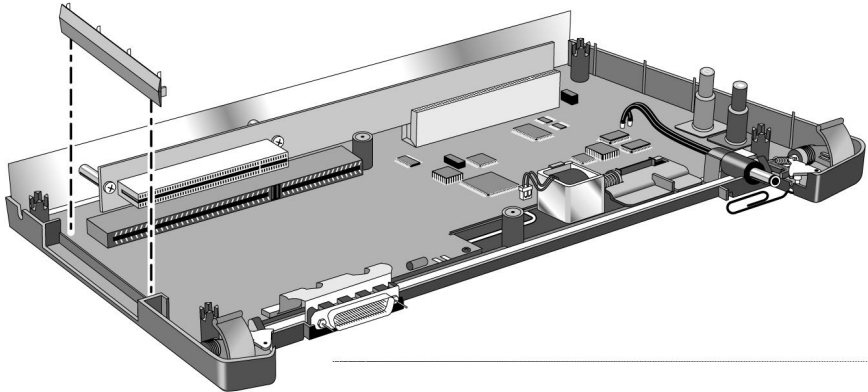
4. Continue holding the latch forward and insert the paper clip as shown below. This holds the release levers forward, allowing for easier removal of the top case.



5. Lift off the top of the case *gently*. Do not dislodge the On/Off and Undock buttons.

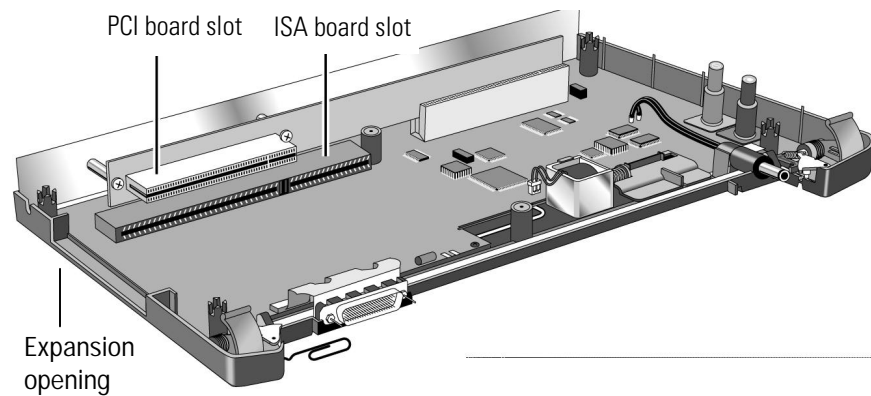


6. Important: Do not turn over the docking system while its top is off.
Remove the plastic cover from the opening in the side of the case.



Using the Docking System
Making Connections

- Slide the ISA or PCI board into the appropriate slot and position it carefully. Support the docking system at the lower-back edge while you firmly press the board into the connector. The metal plate of the PCI board must be fully visible through the OmniBook's side expansion opening.

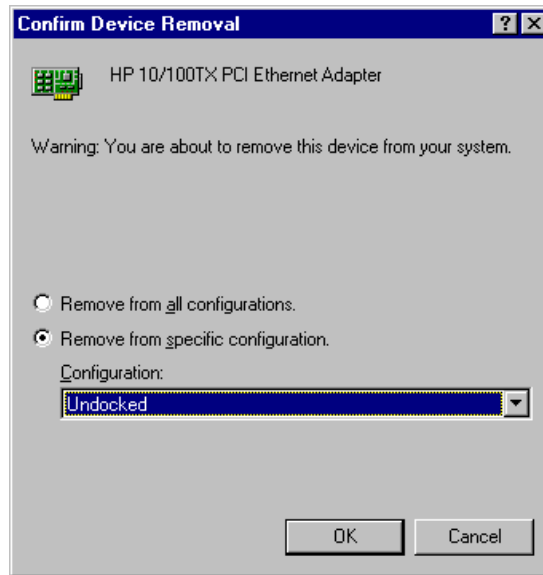


- Place the top of the case onto the bottom. If necessary, adjust the On/Off and Undock buttons so that they fit through the holes—be careful not to remove the button covers. Remove the paper clip that is holding the release lever.
- Remove the tape and tighten the screws just until they are snug—do not over-tighten them.
- Plug in the ac adapter and dock the OmniBook.
- Install the software for the network board and connect it to your network. If the board uses configuration software, run it now. See your network administrator or the network board's manual for instructions.
- If you're using Windows 95, follow the next procedure, "To remove a device from the undocked configuration." You should check for and remove any Undocked configuration created for the device you just installed.

To remove a device from the Undocked configuration

- When Windows 95 installs a new SCSI device or ISA or PCI expansion board (such as a network card), it might add the device to the Undocked (as well as Docked) configuration. To prevent problems when undocking, remove the device from the Undocked configuration.
 - You should also remove the internal SCSI controller from the Undocked configuration.
1. Double-click My Computer, Control Panel, System.
 2. Click the Device Manager tab and find the device to remove. A network card will be under Network adapters. A SCSI device will be under SCSI controllers. Double-click this device type.
 3. Select the specific device (such as Symbios Logic 8100S PCI SCSI Host Adapter), then click the Remove button.
 4. In the Confirm Device Removal box, enable
Remove From Specific Configuration
 5. Under Configuration, select Undocked, then choose OK.

Using the Docking System
Making Connections



Using a Video Card

The docking system supports the use of a PCI video card. You must have a BIOS (System Software) version 1.01 or later. (In Windows for Workgroups, open OmniBook Tools in the Main window, and select the About tab to check this. In Windows 95, select Start, HP User Tools, Information, OmniBook System Information.)

To install a video card

1. Follow the instructions under “To install an ISA or PCI expansion board,” earlier.
2. Connect your external video display or monitor to the video card, *not* to the VGA video connector on the back of the docking system.
3. Follow the instructions under “To remove a device from the Undocked configuration” so that the video card is not part of the Undocked configuration.

Elements That Are Not Displayed

If you have a video card installed and enabled, then the display will *not* show these elements:

- The status panel in the corner (battery charge, keyboard locks, drive activity).
- Messages regarding docking/undocking and battery status, which otherwise appear in the center of the screen when needed.
- The password key symbol, which otherwise appears whenever a password is required. Instead, the screen will go blank and the computer will beep repeatedly.

To dock an OmniBook with a video card

If you have a video card installed, then *you need to reboot the OmniBook whenever you dock into the docking system*, regardless of the operating system. The rest of the procedure is as given under “To dock the OmniBook” on page 8.

- In Windows 95, reboot after the docking light on the docking system turns green. Select Start, Shut Down, Restart.
- In Windows for Workgroups, reboot after the docking light on the docking system turns green. Close Windows and press CTRL+ALT+DEL, or press ENTER when a message asks if you want to reboot.
- *If you do not reboot the OmniBook, the video card will not be enabled.*

To undock an OmniBook with a video card

If you have a video card installed and enabled, then the OmniBook automatically reboots itself *the next time you turn it on after having undocked*.

- If you are using Windows 95, you must select Start, Shut Down, Shut Down the Computer *before pressing the Undock button (or selecting Eject PC)*. The rest of the procedure is as given under “To undock the OmniBook” on page 11.

Troubleshooting

Troubleshooting

If you run into problems using the docking system, you can use the suggestions in this chapter for getting back on track.

Hints

If you're having a problem—see the online OmniBook *User's Guide*. Its troubleshooting chapter contains more troubleshooting information.

If you have questions that this manual doesn't answer, you can

- ◆ See the online OmniBook *User's Guide*—it's your main source of information about using the OmniBook. It includes extensive troubleshooting information.
- ◆ Check with your computer system administrator, if you have one.
- ◆ Contact your dealer, or contact Hewlett-Packard—see the OmniBook *Support and Service* booklet or OmniBook Support in the online OmniBook Library.
- ◆ Find technical information on the Internet. Visit the World Wide Web support site at <http://www.hp.com/go/omnibook>

Solving Basic Problems

If you have a problem using the docking system, find the symptom below that matches your situation. Try the suggestions one at a time.

This section separates problems into the following categories:

- ◆ Operating problems.
- ◆ Docking problems.

To resolve operating problems

If a serial or parallel device, external display, or floppy drive doesn't work

- Make sure the OmniBook is fully inserting in the docking system. Connection should be snug.
- If the green light on the docking system isn't on, check power to the docking system, then try undocking and docking again.
- If a parallel device will not work correctly, its bus speed might be too slow for the OmniBook. You can decrease the OmniBook's bus speed to 33 MHz by holding down the FN key and pressing the minus key. (To restore the normal speed, press FN and the plus key simultaneously.)

If an external PS/2 mouse or keyboard doesn't work

- Make sure the OmniBook is fully inserting in the docking system. Connection should be snug.
- Make sure the mouse is plugged into the correct port. The mouse and keyboard ports look the same.
- Turn the system off and on.
- Reboot the system.
- Undock the OmniBook, unplug and reconnect the ac adapter, then dock again.

If network connections don't work

- Make sure that the LAN cable is connected.
- You normally lose connections when you turn off the system or undock. See if your network software has a reconnect feature.
- Check your configuration files to make sure that the network drivers are properly installed.
- If the green light on the docking system isn't on, check power to the docking system, then try undocking and docking again.
- Check that there is no address or interrupt conflict. Check these settings on the network board—or, if the board has configuration software, check the settings using that software—see the manual for the network board. Also check these settings in your network software.

If SCSI devices don't work

- Try rebooting and selecting a startup option that loads the SCSI drivers.
- Check the device id for conflicts.
- Make sure you turn on the SCSI devices before docking them or rebooting the system. SCSI devices are configured upon docking and at boot time.
- Check your connections and termination.
- Check your configuration files to make sure that the SCSI drivers are properly installed.
- Make sure the OmniBook is fully inserted in the docking system..
- If the green light on the docking system isn't on, check power to the docking system, then try undocking and docking again.
- Check that there is no address or interrupt conflict. The docking SCSI interface normally uses I/O addresses 4000 through 40FF and interrupt 10.

If a network-enabled system locks up when rebooting

- Make sure to remove any undocked configuration for an ISA or PCI expansion board (such as a network card). See “To remove a device from the undocked configuration,” under “Making Connections.”

The following hints apply to Windows for Workgroups only:

- Edit AUTOEXEC.BAT to disable Windows for Workgroups network support for all non-network startup options. Add the /N switch to the WIN command (win /n) for each of the non-network options.
- Edit CONFIG.SYS and AUTOEXEC.BAT to load network drivers only for the “Docking system” startup option, and not for undocked startup options.

For other operating systems:

- Check any available online tools—Device Wizard in Windows 95, for example—or check with your system administrator.

To resolve docking problems

If your docking password isn’t accepted

- Check whether Num Lock is off.
- If you’ve forgotten your password, have your OmniBook at hand and call Hewlett-Packard support. See your OmniBook *Support and Service* booklet.

If you are using Windows 95 and the OmniBook won’t undock

- Check to make sure that any SCSI devices (such as a CD-ROM drive) and any ISA or PCI boards (such as network cards) are removed from the Undocked configuration. See “To remove a device from the undocked configuration” in chapter 1.

If the screen is blank and the OmniBook is beeping

- You have a video card installed and need to enter the docking password.

If the OmniBook isn't released after pressing the Undock button

- If you're using a password, make sure it's accepted.
- If you're prompted about shutting down devices, and if no applications are using those devices, press ENTER. Otherwise, close those applications and try undocking again.
- To override the undocking software, insert a paper clip or other thin object into the security opening in the docking system. Hold it in while sliding one release latch forward.



**Specifications and Regulatory
Information**

Specifications and Regulatory Information

Your OmniBook docking system is designed to provide trouble-free operation. The following suggestions can help you while working with your OmniBook:

- ◆ Observe the temperature limits and other specifications listed in the next section.
- ◆ If you have problems, see the problem-solving suggestions and references listed in chapter 2.
- ◆ If you think your docking system might need repair service, see the warranty and service information in the *Support and Service* booklet.

To contact Hewlett-Packard

If you have questions that the OmniBook manuals don't answer (even after looking in the contents and index), you can contact Hewlett-Packard at the address or phone number listed in the *Support and Service* booklet or in OmniBook Support in the online OmniBook Library. Please have your OmniBook with you.

Hardware Specifications

Interfaces	Serial: one 9-pin 115,200-baud RS-232 port (with hardware handshaking). Parallel: one 25-pin standard (EPP/ECP) parallel port. SCSI: one SCSI-2 port. Audio: one stereo-output port. Mouse: one PS/2 mouse port. Keyboard: one external keyboard port. Floppy disk drive: one floppy disk drive port for removable 3.5-inch disk drive.
Expansion boards	Electrical: PCI/ISA expansion slot. Mechanical: ½ length boards/ shared slot.
AC Adapter	Input: 115 to 240 Vac (50 to 60 Hz). Output: 12 Vdc, 3.3 A. Polarity: negative (inner contact is negative).
Temperature	Operating: 5 to 35 °C (41 to 95 °F). Storage: -40 to +60 °C (-40 to 140 °F). The unit may not operate properly below 5 °C (41 °F), but it can be stored at temperatures down to -40 °C (-40 °F) without damaging the hardware.
Humidity	Operating: 90% relative humidity at 35 °C (95 °F) maximum. Storage: 90% relative humidity at 60 °C (140 °F) maximum.

Regulatory Information

This section presents information that shows how the docking system complies with regulations in certain regions. Any modifications to the docking system not expressly approved by Hewlett-Packard could void the authority to operate the docking system in these regions.

U.S.A.

The docking system generates and uses radio frequency energy and may interfere with radio and television reception. The docking system complies with the limits for a Class B computing device as specified in Part 15 of FCC Rules, which provide reasonable protection against such interference in a residential installation. (With a network board installed, the docking system complies with the limits for a Class A device, which limits use to a nonresidential installation.) The “FCC ID” number for this product is listed on the bottom of the unit. In the unlikely event that there is interference to radio or television reception (which can be determined by undocking the OmniBook and unplugging the ac adapter), try the following:

- Reorienting or relocating the receiving antenna.
- Relocating the docking system with respect to the receiver.
- Connecting the ac adapter to another power outlet.

To maintain compliance with FCC Rules and Regulations, use properly shielded cables when connecting peripheral devices to this device. Use cables supplied with the OmniBook when appropriate.

For more information, consult your dealer, an experienced radio/television technician, or the following booklet, prepared by the Federal Communications Commission: *How to Identify and Resolve Radio-TV Interference Problems*. This booklet is available from the U.S. Government Printing Office, Washington, DC 20402, Stock Number 004-000-00345-4. At the first printing of this manual, the telephone number was (202) 512-1800.

Canada

This digital apparatus does not exceed the Class B limits for radio noise emissions from digital apparatus as set out in the radio interference regulations of the Canadian Department of Communications.

Le présent appareil numérique n'émet pas de bruits radioélectriques dépassant les limites applicables aux appareils numériques de Classe B prescrites dans le règlement sur le brouillage radioélectrique édicté par le Ministère des Communications du Canada.

Japan

この装置は、情報処理装置等電波障害自主規制協議会（VCCI）の基準に基づく第二種情報技術装置です。この装置は、家庭環境で使用することを目的としていますが、この装置がラジオやテレビジョン受信機に近接して使用されると、受信障害を引き起こすことがあります。

取扱説明書に従って正しい取り扱いをして下さい。

Europe

Products sold in Europe by Hewlett-Packard and its authorized dealers meet the specifications listed below.

Declaration of Conformity (according to ISO/IEC Guide 22 and EN 45014)

Manufacturer: Hewlett-Packard Company
Address: Hewlett-Packard Co.
Mobile Computing Division
1000 NE Circle Blvd.
Corvallis, OR 97330
declares that the following product

Product name: HP F1177A Docking System
Options: All
conforms to the following product specifications

Safety: IEC 950:1991+A1,A2 / EN 60950 (1992)+A1,A2
EMC: CISPR 22:1993 / EN 55022 (1994): Class B^[1]
EN 50082-1:1992
IEC 1000-4-2:1995 / prEN 55024-2 (1992): 4kV CD, 8kV AD
IEC 1000-4-3:1995 / prEN 55024-3 (1991): 3V/m
IEC 1000-4-4:1995 / prEN 55024-4 (1992): 0.5kV signal lines, 1.0kV power lines

Supplementary Information: The product herewith complies with the requirements of the EMC Directive 89/336/EEC.
The HP F1044B/F1140A ac adapter used with this product is disconnected from the power by unplugging the power cord from the power outlet. Therefore, the power outlet should be located close to the product and be easily accessible.

[1] The product was tested in a typical configuration with Hewlett-Packard personal computer peripherals.

Quality Department
Hewlett-Packard Company
Mobile Computing Division