

Tecmar

Guide to Cover Removal and Replacement



Contents

	3	Read This First
	5	Manual Organization
Section 1	7	Names of UL listed Compatible Computers
Section 2	11	Cover Removal and Replacement Information in Other Manuals
	13	General Electric Workmaster, #1C540MWS902A
	13	IBM Personal Computer AT, Model 5170
	13	ITT XTRA, Model 84704-01
	13	Zenith Data Systems, Model ZF-151-XX (22)
Section 3	15	Cover Removal and Replacement for Compatible Computers
	17	IBM PC (5150) and IBM XT (5160)
	19	IBM Portable Personal Computer (5155)
	23	ADDS Model PC/I
	27	AT&T Personal Computer 6300
	29	Columbia Desk Top, Model 1600-1/110
	31	Compaq
	33	Leading Edge, Model MP-1673-L
	35	Tandy 1200
	37	Texas Instruments Terminal Standard Professional Computer



Read This First

Introduction

Tecmar provides the **Guide to Cover Removal and Replacement** as a supplement to help you to install your Tecmar board in an IBM PC, XT, AT, or compatible computer. This manual gives you instructions on cover removal and replacement for your computer.

Tecmar UL Listed Products

The following is a list of Tecmar products that are UL listed:

- Graphics Master
- Graphics Tender 70, 74, 174
- Captain
- 1st Mate
- IEEE 488
- 384K RAM
- Dynamic Memory
- Maestro (pending)
- Phonegate (pending)

Purpose

The purpose of this manual is to explain how to:

- Remove the cover of your computer
- Replace the cover after the installation of your Tecmar product.

Caution: Before removing the cover of your computer, be sure to unplug your computer and all other options from their power source (wall outlet, power strip, etc.).



Manual Organization

This manual is divided into three sections.

Section 1, "Names of UL Listed Compatible Computers," gives you the names and models of computers for which Tecmar products are UL listed.

Section 2, "Cover Removal and Replacement Information in Other Manuals," tells you where you can find instructions for the removal and replacement of covers for the computers listed in this section.

Section 3, "Cover Removal and Replacement for Compatible Computers," gives you specific instructions for removing and replacing covers on compatible computers.



Section 1

**Names of
UL Listed
Compatible
Computers**



UL Listed Computers

Below is a list of the names and models
of UL listed compatible computers.

IBM Personal Computer, Model 5150

IBM Portable Personal Computer, Model 5155

IBM Personal Computer XT, Model 5160

IBM Personal Computer AT, Model 5170

Applied Digital Data Systems (ADDS), Model
PC/I

AT&T Model Personal Computer 6300

Compaq

General Electric Workmaster, Model
1C540MWS902A

ITT XTRA, Model 847041-01

Leading Edge, Model MP-1673-L

Texas Instruments Professional Computer,
Model 2223050-0003

Zenith Data Systems, Model ZF-151-XX (22)



Section 2

Cover
Removal
and
Replacement
Information in
Other
Manuals



Locating Information in Other Manuals

The systems listed below have instructions for cover removal and replacement in the manual for that particular system. When you want to remove the cover of one of these computers you must refer to the manual that you received when you bought the unit.

General Electric Workmaster

#1C540MWS902A. You can find instructions for cover removal and replacement on pages 4-14 to 4-23 in the **Guide to Operations**.

IBM Personal Computer AT, Model 5170.

You can find instructions for cover removal on pages 2-4 to 2-6 and for cover replacement on pages 4-5 to 4-7 in the **AT Installation and Setup Manual**.

ITT XTRA, Model 84704-01. You can find instructions for cover removal and replacement in Section 6 of the **ITT XTRA User Guide**.

Zenith Data Systems, Model ZF-151-XX (22).

You can find instructions for cover removal and replacement on pages 4.8 and 4.11 of the **Z-100 PC Series Operations Manual**.



Section 3

Cover
Removal and
Replacement
for
Compatible
Computers

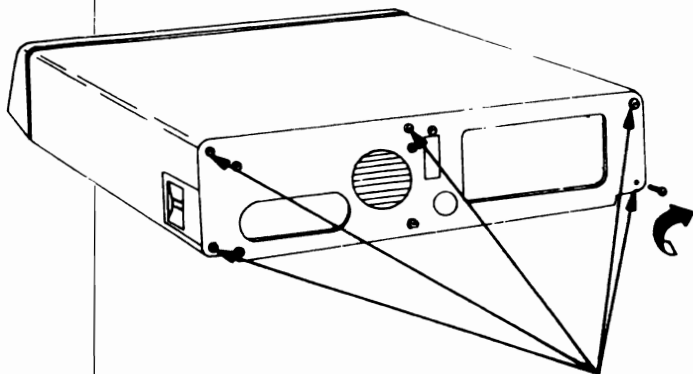


IBM PC and XT

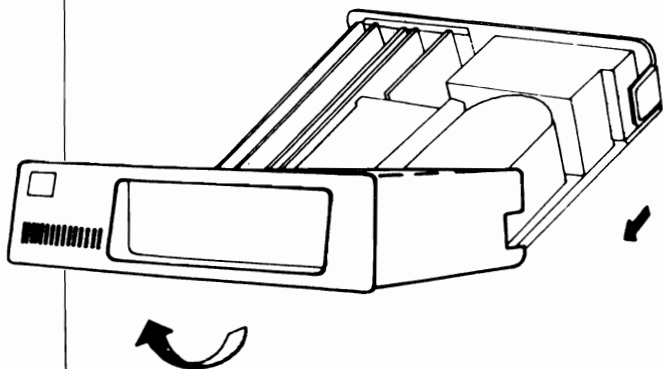
Removing the Cover

Caution: Before removing the cover of your computer, be sure to unplug your computer and all other options from their power source (wall outlet, power strip, etc.).

- Remove the five screws from the back of your computer.

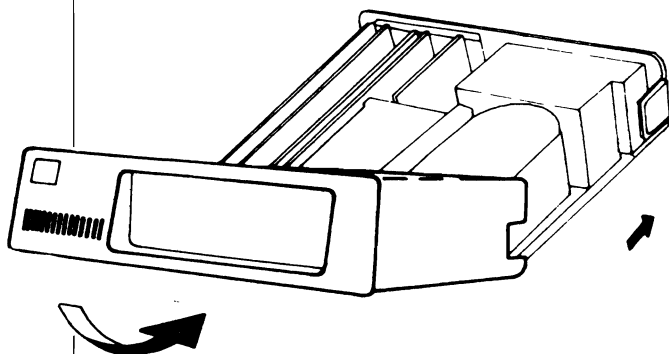


- Slide the cover forward then up.

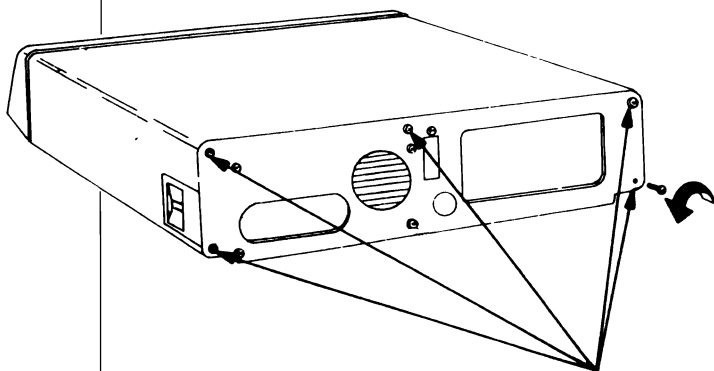


Replacing the Cover

- Slide the cover down then back.



- Replace the five screws.

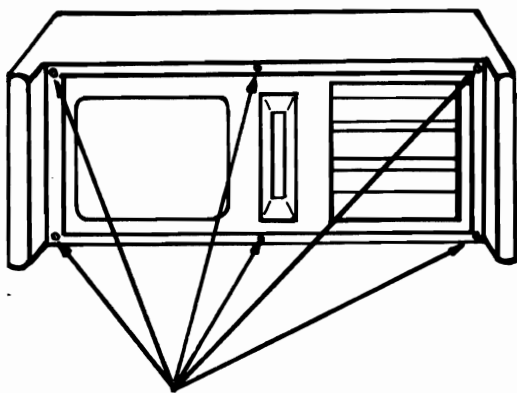


IBM Portable Personal Computer

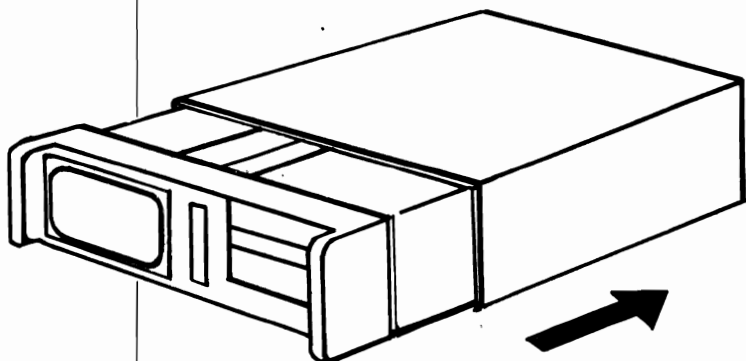
Removing the Cover

Caution: Before removing the cover of your computer, be sure to unplug your computer and all other options from their power source (wall outlet, power strip, etc.).

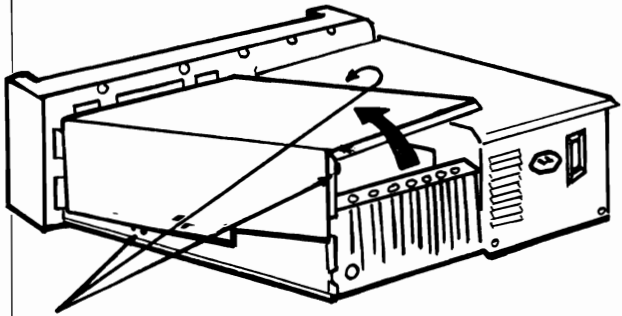
- Remove the six screws from the front of your computer.



- Slide the cover toward the back and remove.

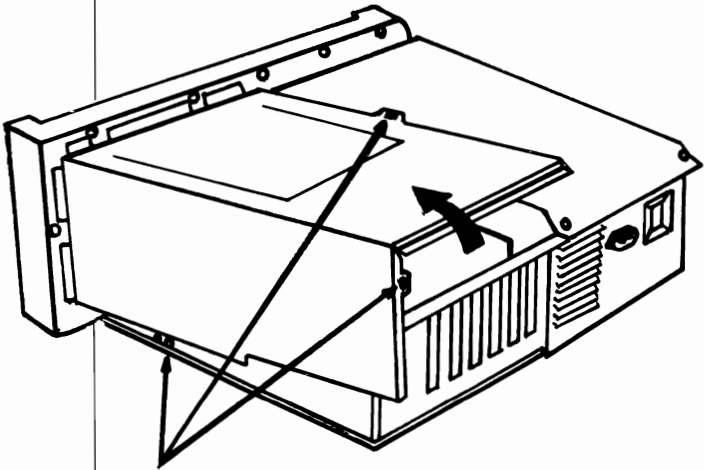


- Remove the screws from the metal shield on the right hand side of the computer. Remove the shield. You will find the expansion slots under this shield.

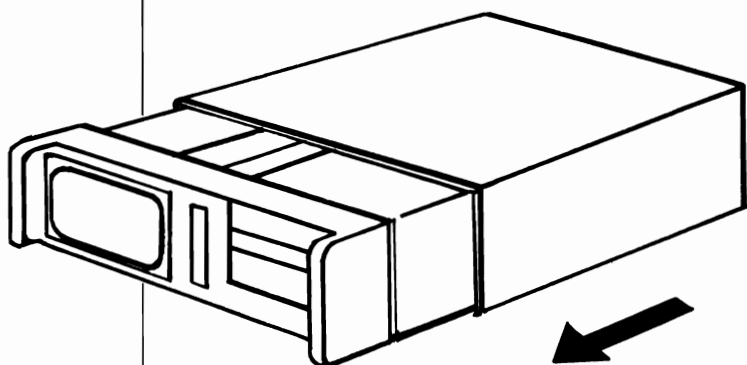


Replacing the Cover

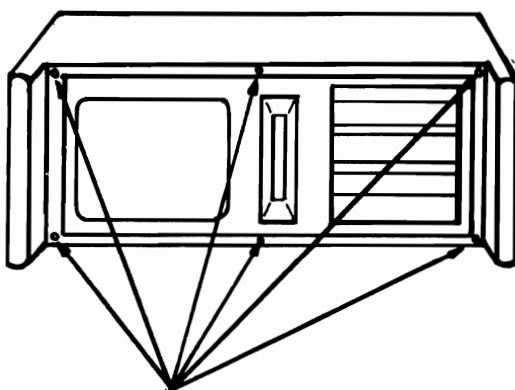
- Replace the shield and replace the screws in the shield.



- Slide the cover forward back onto the chassis.



- Replace the six screws.



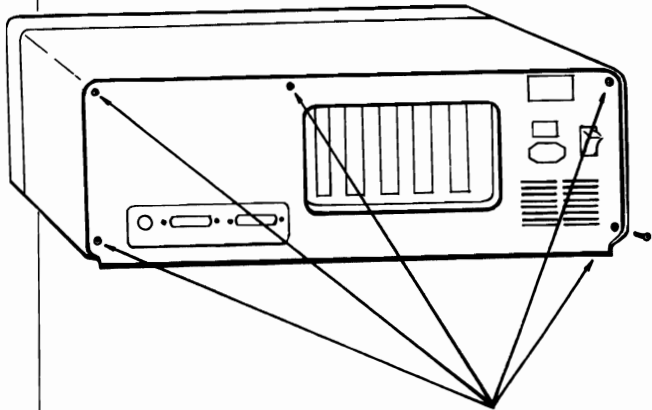


ADDS Model PC/I

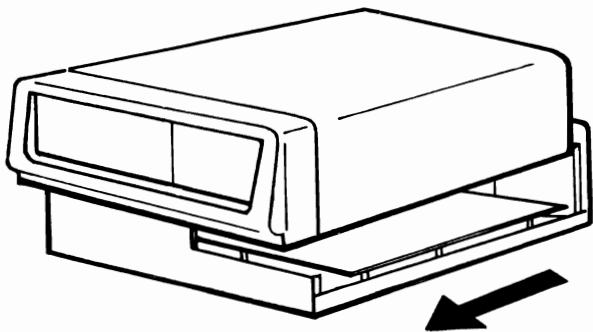
Removing the Cover

Caution: Before removing the cover of your computer, be sure to unplug your computer and all other options from their power source (wall outlet, power strip, etc.).

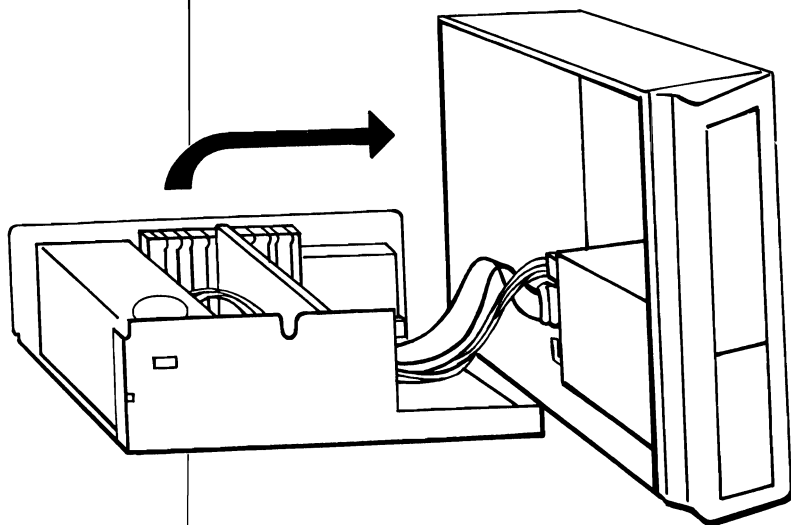
- Remove the five screws from the back of your computer.



- Slide the cover forward slightly, then lift straight up slowly. Connecting cables for the disk drive are attached directly to the cover and should not be removed.

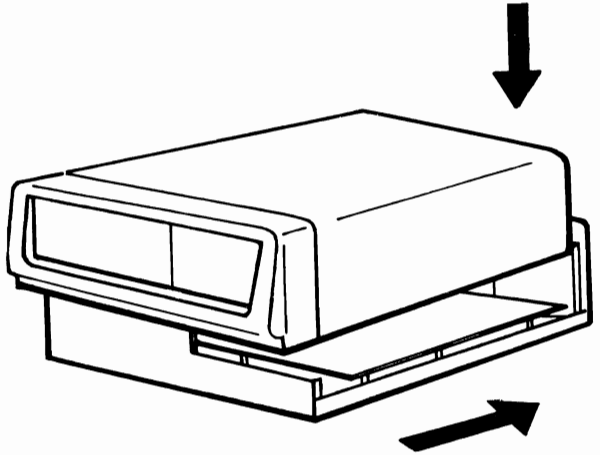


- When the cover has completely cleared the chassis, place the cover on its side to the right of the front of the computer.

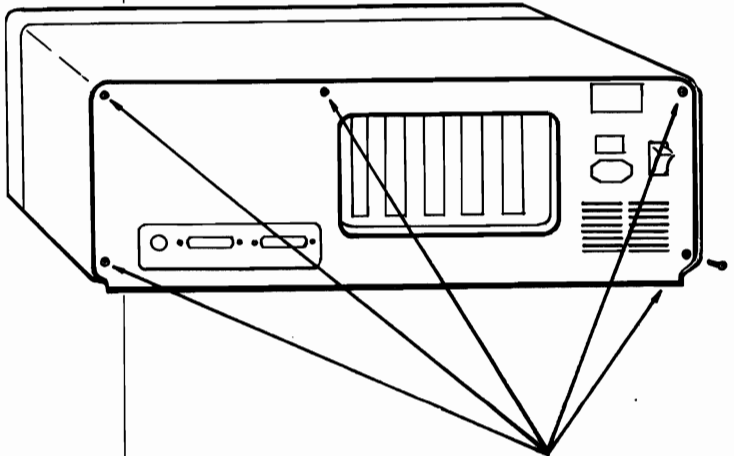


Replacing the Cover

- Lift the cover back onto the chassis of the computer. Push the cover toward the back of the computer until the cover is in place.



- Replace the five screws.



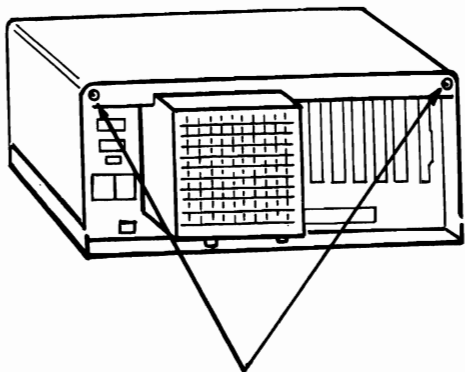


AT&T Personal Computer 6300

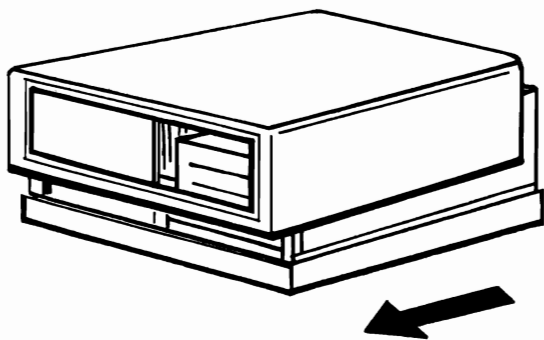
Removing the Cover

Caution: Before removing the cover of your computer, be sure to unplug your computer and all other options from their power source (wall outlet, power strip, etc.).

- Remove the two screws from the back of your computer.

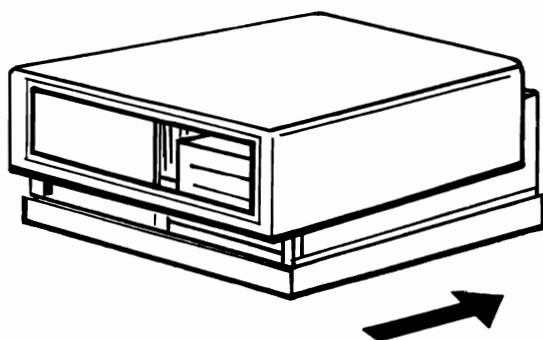


- Slide the cover forward to release it from the chassis, then lift it off.

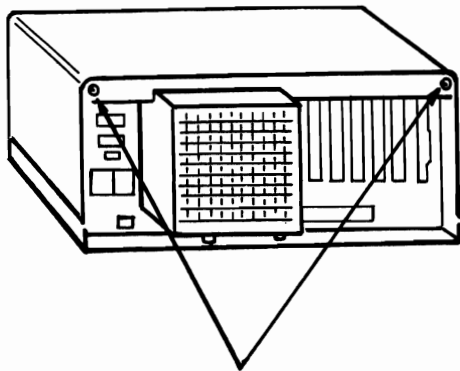


Replacing the Cover

- Place the cover back on the chassis then slide it back.



- Replace the two screws.

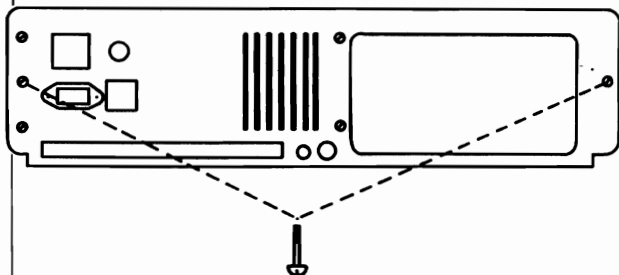


Columbia Desk Top

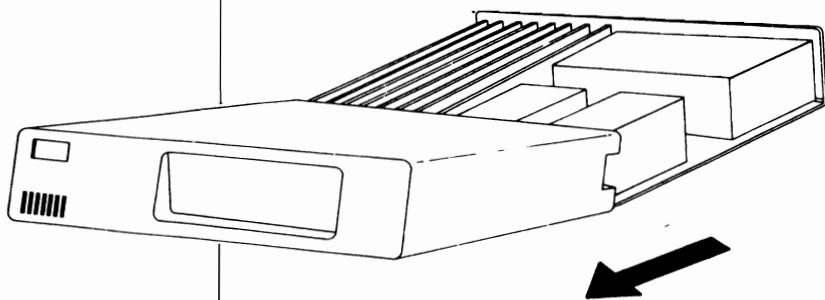
Removing the Cover

Caution: Before removing the cover of your computer, be sure to unplug your computer and all other options from their power source (wall outlet, power strip, etc.).

- Use a Phillips head screwdriver to remove the two screws from the back of your computer.

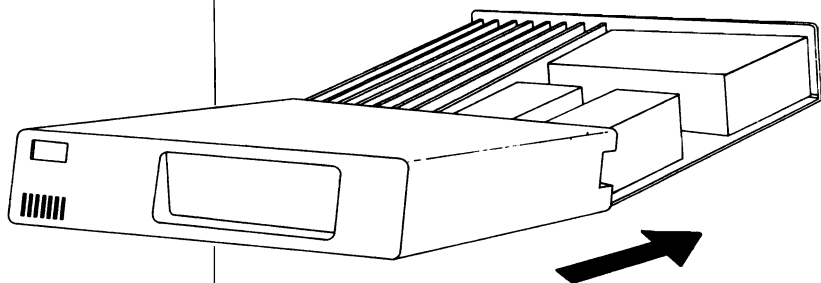


- Slide the cover toward the front of the computer then up.

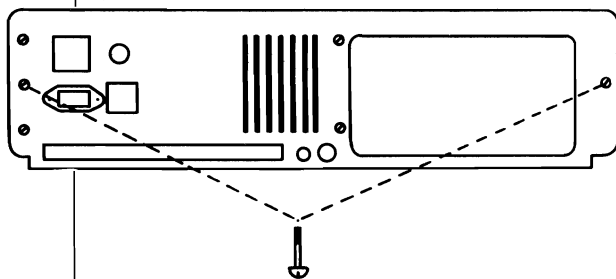


Replacing the Cover

- Slide the cover down then back.



- Replace the two screws.

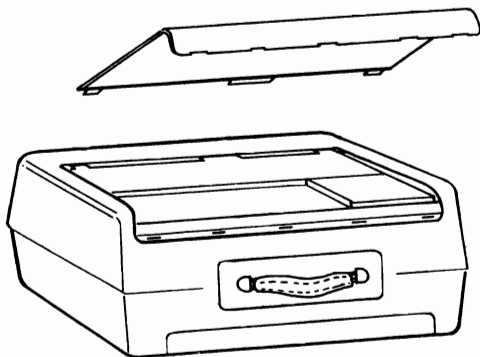


Compaq Computer

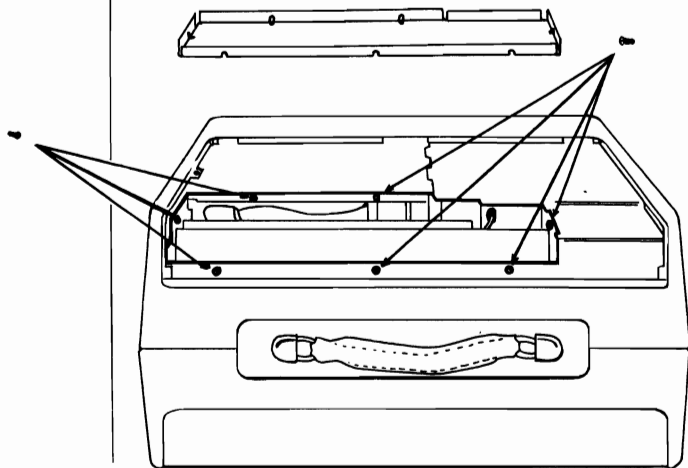
Removing the Cover

Caution: Before removing the cover of your computer, be sure to unplug your computer and all other options from their power source (wall outlet, power strip, etc.).

- Facing the back of the computer, push gently inward on the cover above and to the right of the Compaq logo, then lift up.

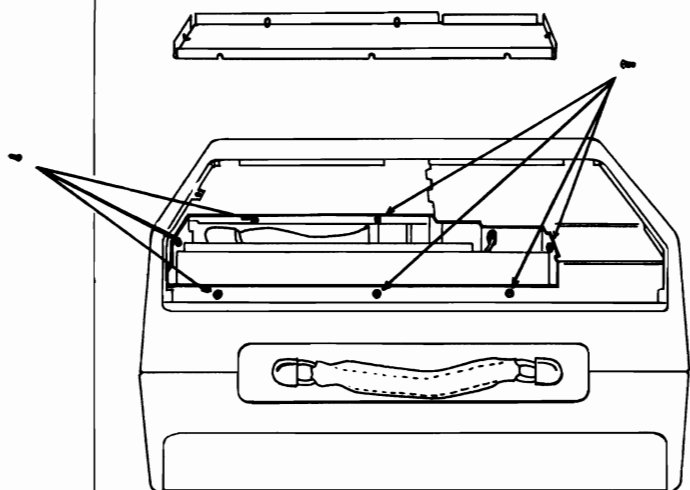


- A metal plate at the back of the computer covers the expansion slots. Remove the seven screws that hold in the plate and remove it.

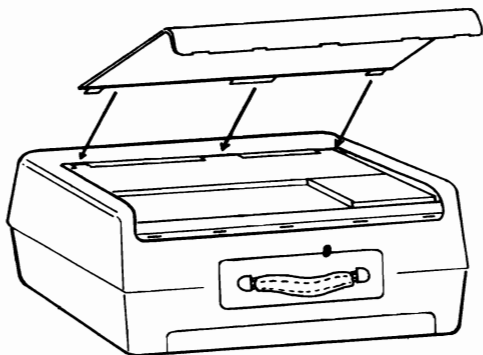


Replacing the Cover

- Put the metal plate back into place and replace the seven screws.



- Insert the tabs on the back of the cover into the slots on the top of the chassis. Gently push down until the cover snaps shut.

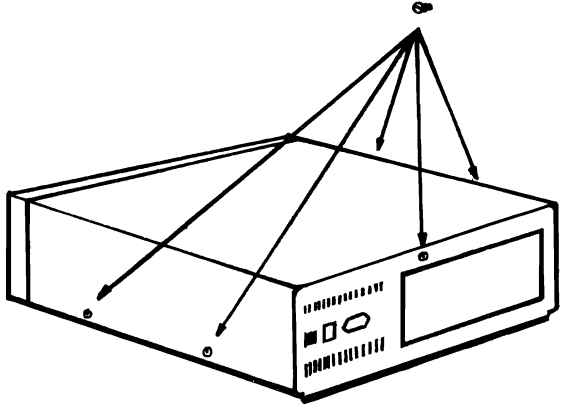


Leading Edge Computer

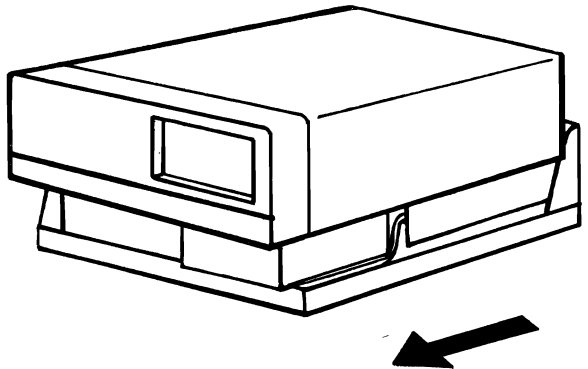
Removing the Cover

Caution: Before removing the cover of your computer, be sure to unplug your computer and all other options from their power source (wall outlet, power strip, etc.).

- Remove the five screws from the sides and the back of your computer.

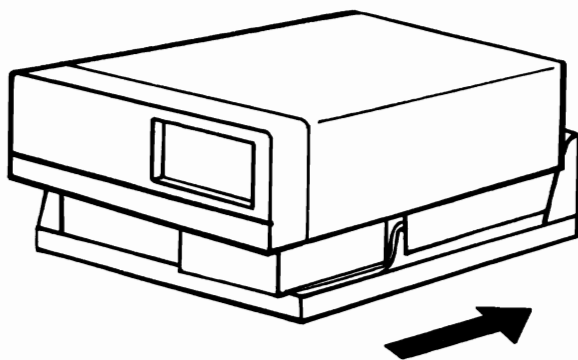


- Slide the cover forward, then lift it up and remove it.

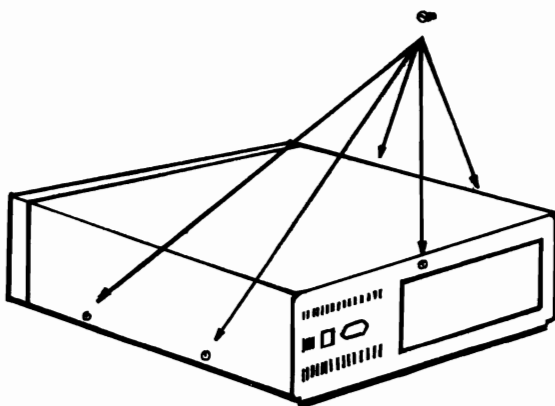


Replacing the Cover

- Place the cover back on the chassis, then slide it back.



- Replace the five screws.

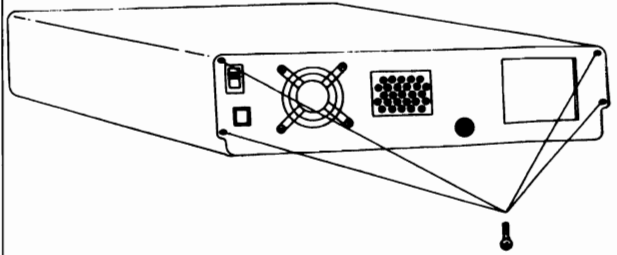


Tandy 1200

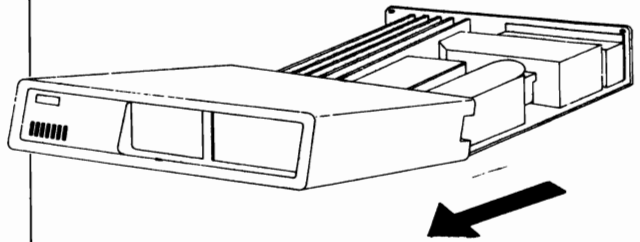
Removing the Cover

Caution: Before removing the cover of your computer, be sure to unplug your computer and all other options from their power source (wall outlet, power strip, etc.).

- Remove the four screws from the back of your computer.

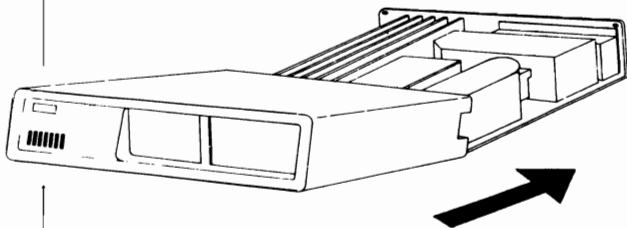


- Slide the cover forward then up.

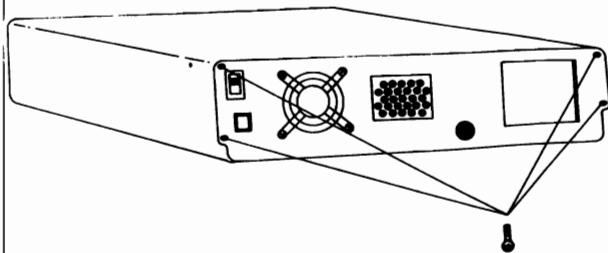


Replacing the Cover

- Slide the cover down then back.



- Replace the four screws.

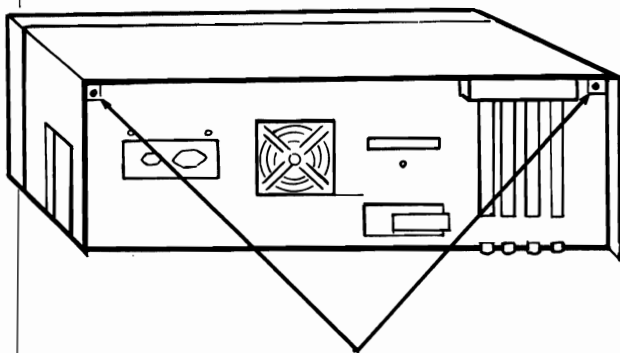


Texas Instruments Terminal Standard 320K Professional Computer

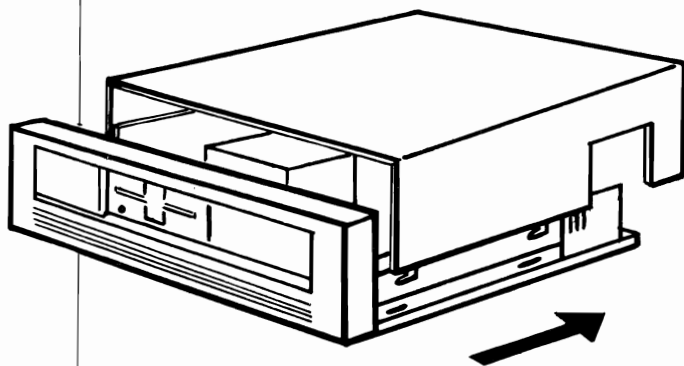
Removing the Cover

Caution: Before removing the cover of your computer, be sure to unplug your computer and all other options from their power source (wall outlet, power strip, etc.).

- Remove the two screws from the back of your computer.

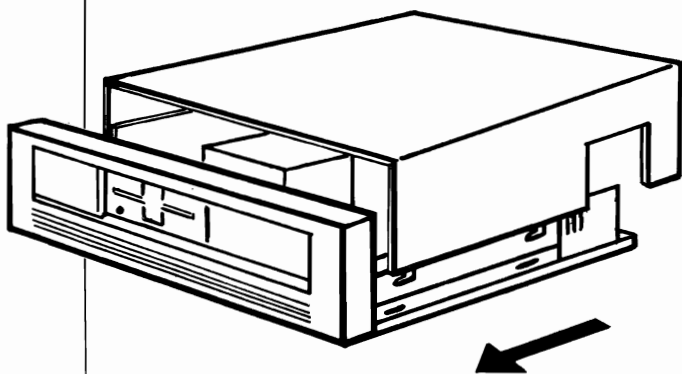


- Slide the cover toward the back slightly until the cover is released from the chassis, then lift it off.

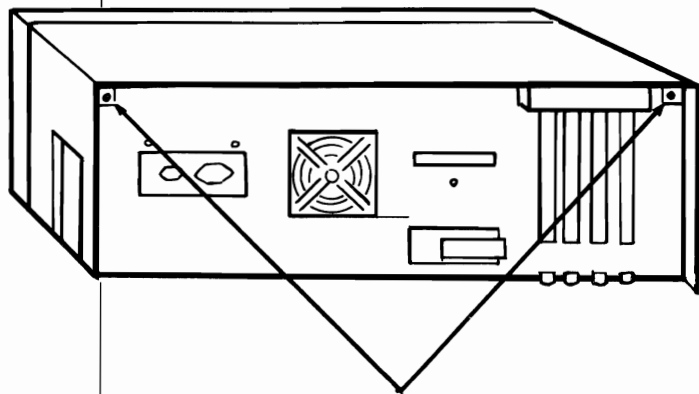


Replacing the Cover

- Lift the cover back onto the computer chassis. Fit the metal tabs on the bottom of the cover into the slots in the chassis. Slide the cover toward the front of the computer.



- Replace the two screws.



2

3

4

