



Netfinity 5600

**Start Here**





Netfinity 5600

**Start Here**

**Note**

Before using this *Netfinity Server Library* and the product it supports, be sure to read the information in the *Safety Information* booklet and the "Legal Information" section of this *Server Library*.

**First Edition (September 1999)**

INTERNATIONAL BUSINESS MACHINES CORPORATION PROVIDES THIS PUBLICATION "AS IS" WITHOUT WARRANTY OF ANY KIND, EITHER EXPRESS OR IMPLIED, INCLUDING, BUT NOT LIMITED TO, THE IMPLIED WARRANTIES OF MERCHANTABILITY OR FITNESS FOR A PARTICULAR PURPOSE. Some jurisdictions do not allow disclaimer of express or implied warranties in certain transactions, therefore, this statement may not apply to you.

This publication could include technical inaccuracies or typographical errors. Changes are periodically made to the information herein; these changes will be incorporated in new editions of the publication. IBM may make improvements and/or changes in the product(s) and/or the program(s) described in this publication at any time.

This publication was developed for products and services offered in the United States of America and the United Kingdom. It is possible that this publication may contain reference to, or information about, IBM products (machines and programs), programming, or services that are not announced in your country. Such references or information must not be construed to mean that IBM intends to announce such IBM products, programming, or services in your country.

Requests for technical information about IBM products should be made to your IBM reseller or IBM marketing representative.

No part of this publication may be reproduced or distributed in any form or by any means without prior permission in writing from the International Business Machines Corporation.

© Copyright International Business Machines Corporation 1999. All rights reserved.

Note to U.S. Government Users — Documentation related to restricted rights — Use, duplication or disclosure is subject to restrictions set forth in GSA ADP Schedule Contract with IBM Corp.

---

## Start Here

Thank you for purchasing an IBM® Netfinity® 5600 server. This “Start Here” section gives you an overview of the Server Library for the Netfinity 5600. “Start Here” also contains a list of the features and provides illustrations of some of the major components of the Netfinity 5600.

The *Netfinity Server Library* that comes with your server contains software CDs and a book that provides detailed information about set up and installation, hardware, software (ServerGuide® and Netfinity Manager), Advanced System Management, ServeRAID, getting help, and legal information.

Organize your Netfinity Server Library binder with the software CDs in the front, followed by the book.

---

## Contents

Overview of the Netfinity Server Library . . . . .	2
Reviewing the safety information . . . . .	3
Help information . . . . .	5
Inventory list . . . . .	5
System features . . . . .	6
Features at a glance . . . . .	6
Exploded view of the Netfinity 5600 server . . . . .	7
System board component locations . . . . .	8
Processor board component locations . . . . .	9

---

## Overview of the Netfinity Server Library

The following list describes the sections of the *Netfinity Server Library*.

### **Express Setup and Installation**

This section is written for all users, but it is designed with the experienced user in mind. Here you will find the information you need to set up and cable your server, start and configure your server, and install your network operating system (NOS).

### **Hardware Information**

This section contains detailed information, such as:

- Configuration Procedures
- Option Installation Instructions
- Rack Installation Instructions
- Solving Problems and Troubleshooting
- Server Records and Specifications

### **ServerGuide and Netfinity Manager Information**

This section contains detailed information about:

#### **ServerGuide**

Software setup and installation tools specifically designed for IBM Netfinity servers.

#### **Netfinity Manager**

A group of distributed applications designed to enhance the hardware systems-management capabilities of a network.

### **Advanced System Management Information**

This section contains detailed information about Advanced System Management, using the Netfinity Manager Advanced System Management services.

### **Getting Help, Service, and Information**

This section contains telephone numbers and Web site addresses where you can get assistance.

### **Legal Information**

This section contains detailed legal information (warranties, electronic emission statements, and so forth).

---

## Reviewing the safety information



Before installing this product, read the Safety Information.

Antes de instalar este produto, leia as Informações de Segurança.

在安裝本產品之前，請仔細閱讀 **Safety Information** (安全信息)。

Prije instalacije ovog produkta obavezno pročitajte Sigurnosne Upute.

Před instalací tohoto produktu si přečtěte příručku bezpečnostních instrukcí.

Læs sikkerhedsforskrifterne, før du installerer dette produkt.

Ennen kuin asennat tämän tuotteen, lue turvaohjeet kohdasta Safety Information.

Avant d'installer ce produit, lisez les consignes de sécurité.

Vor der Installation dieses Produkts die Sicherheitshinweise lesen.

Πριν εγκαταστήσετε το προϊόν αυτό, διαβάστε τις πληροφορίες ασφάλειας (safety information).

A termék telepítése előtt olvassa el a Biztonsági előírásokat!

Prima di installare questo prodotto, leggere le Informazioni sulla Sicurezza

製品の設置の前に、安全情報をお読みください。

본 제품을 설치하기 전에 안전 정보를 읽으십시오.

Пред да се инсталира овој продукт, прочитајте информацијата за безбедност.

Lees voordat u dit product installeert eerst de veiligheidsvoorschriften.

Les sikkerhetsinformasjonen (Safety Information) før du installerer dette produktet.

Przed zainstalowaniem tego produktu, należy zapoznać się z książką "Informacje dotyczące bezpieczeństwa" (Safety Information).

Antes de instalar este produto, leia as Informações sobre Segurança.

Перед установкой продукта прочтите инструкции по технике безопасности.

Pred inštaláciou tohto zariadenia si pečítajte Bezpečnostné predpisy.

Pred namestitvijo tega proizvoda preberite Varnostne informacije.

Antes de instalar este producto lea la información de seguridad.

Läs säkerhetsinformationen innan du installerar den här produkten.

安裝本產品之前，請先閱讀「安全資訊」。

1



## DANGER

Electrical current from power, telephone, and communication cables is hazardous.

To avoid a shock hazard:

- Do not connect or disconnect any cables or perform installation, maintenance, or reconfiguration of this product during an electrical storm.
- Connect all power cords to a properly wired and grounded electrical outlet.
- Connect to properly wired outlets any equipment that will be attached to this product.
- When possible, use one hand only to connect or disconnect signal cables.
- Never turn on any equipment when there is evidence of fire, water, or structural damage.
- Disconnect the attached power cords, telecommunications systems, networks, and modems before you open the device covers, unless instructed otherwise in the installation and configuration procedures.
- Connect and disconnect cables as described in the following table when installing, moving, or opening covers on this product or attached devices.

### To Connect:

1. Turn everything OFF.
2. First, attach all cables to devices.
3. Attach signal cables to connectors.
4. Attach power cords to outlet.
5. Turn device ON.

### To Disconnect:

1. Turn everything OFF.
2. First, remove power cords from outlet.
3. Remove signal cables from connectors.
4. Remove all cables from devices.

## Definitions of Attention, Caution, and Danger notices

**Attention:** Indicates situations that can potentially damage programs, devices, or data.

**Caution:** Indicates situations that are potentially hazardous to you.

**Danger:** Indicates situations that are potentially lethal or extremely hazardous to you.



---

## Help information

If you want help at any time during the set up, installation, or operation of your server, refer to the “Getting Help, Service, and Information” section of this *Server Library*. There you will find telephone numbers and Web site addresses where you can get assistance.

---

## Inventory list

The following is a list of the items shipped with your Netfinity 5600 server.

### Hardware:

- **Tower Models**

- Keyboard
- Mouse
- System power cord
- Two server keys and a power-on switch cover

The serial number and telephone number are on the keys.

**Note:** Record the server key number in your “Hardware Information” section of this *Server Library* under “Server records and specifications.” If you lose the keys, you can order replacement keys from the key manufacturer, providing you have the key number.

- Phone number:
  - (800) 299-5880 (in the U.S.)
  - (847) 537-1800 (in other countries)
- Web Site: <http://www.illinoislock.com>

- **Rack Models**

- Rack installation hardware kit
- System power cord
- A power-on switch cover

### Software:

- *IBM ServerGuide* CDs
- Other software packages

### Publications:

- *Netfinity Server Library*
- *Safety Information* booklet
- IBM Netfinity Rack Installation Template (rack models only)

If an item is missing or damaged, contact your place of purchase.

**Note:** Record the machine type, model number, and serial number of your server. You will need this information when you register your server with IBM.

Registering your server gives you access to information about updates, performance tips, and compatibility. Register your server at: <http://www.ibm.com/pc/register>

## System features

Refer to the information and illustrations on the following pages to familiarize yourself with the features of the Netfinity 5600 server.

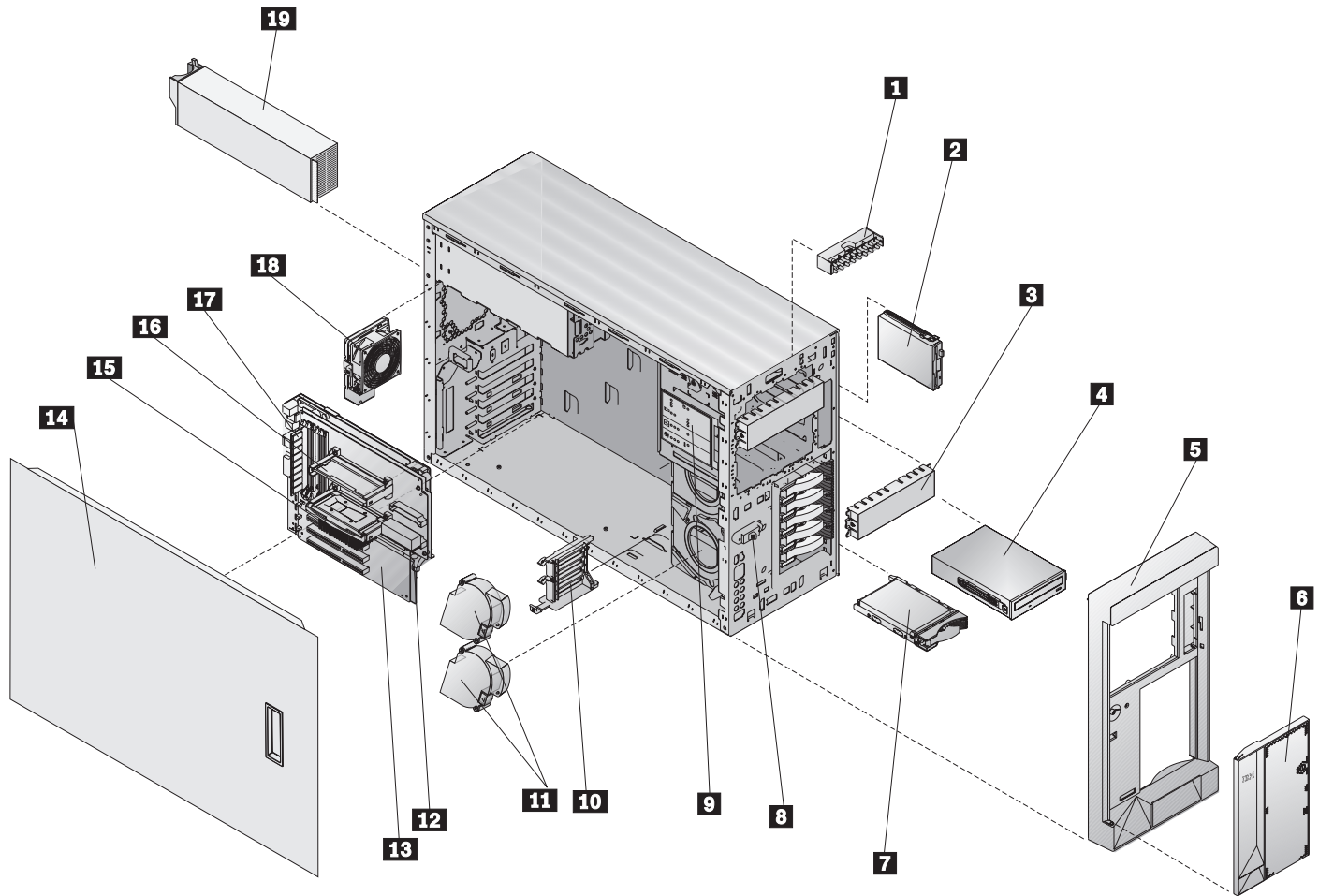
### Features at a glance

The following table summarizes the features of the Netfinity 5600. For detailed information about the features listed in the table, refer to the “Hardware Information” section of this *Server Library*.

<p><b>Microprocessor</b></p> <ul style="list-style-type: none"> <li>Intel® Pentium® III Xeon™ microprocessor with MMX™ technology and SIMD extensions</li> <li>32 KB of level-1 cache</li> <li>256 KB of level-2 cache (min.)</li> <li>Expandable to two microprocessors</li> </ul> <p><b>Memory</b></p> <ul style="list-style-type: none"> <li>Standard: 128 MB, expandable to 4 GB</li> <li>133 MHz, registered, error correcting code (ECC), synchronous dynamic random access memory (SDRAM) complying with PC 133 SDRAM Registered DIMM Specification, Revision 1.0 or later). (When installed in systems using 100 MHz front-side bus microprocessors, the memory operates at 100 MHz.</li> <li>Four dual inline memory-module (DIMM) sockets</li> </ul> <p><b>Diskette Drive</b></p> <ul style="list-style-type: none"> <li>Standard: One 3.5-inch, 1.44 MB</li> </ul> <p><b>Hard Disk Drives</b></p> <ul style="list-style-type: none"> <li>Up to six hot-swappable hard disk drives supported</li> </ul> <p><b>CD-ROM Drive</b></p> <ul style="list-style-type: none"> <li>Standard: 40X IDE</li> </ul> <p><b>Keyboard and Auxiliary Device</b> (standard only on tower models)</p> <ul style="list-style-type: none"> <li>Keyboard</li> <li>Mouse</li> </ul> <p><b>Expansion Bays</b></p> <ul style="list-style-type: none"> <li>Six slim (1-inch) or three half-high (1.6-inch) hot-swap drive bays</li> <li>Three 5.25-inch non-hot-swap bays (one used by CD-ROM drive)</li> </ul>	<p><b>Expansion Slots</b></p> <p>Up to five adapters can be installed.</p> <ul style="list-style-type: none"> <li>Three 64-bit hot-plug PCI slots</li> <li>Two standard (non-hot-plug) 32-bit PCI slot</li> </ul> <p><b>Upgradable Microcode</b></p> <ul style="list-style-type: none"> <li>BIOS, diagnostics, and Netfinity Advanced System Management processor upgrades (when available) can update EEPROMs on the system board</li> </ul> <p><b>Security Features</b></p> <ul style="list-style-type: none"> <li>Door and side cover lock (tower model only)</li> <li>Power-on and administrator passwords</li> <li>Selectable drive-startup</li> <li>Keyboard password</li> <li>Systems management security <ul style="list-style-type: none"> <li>User log-in password</li> <li>Read-only or read/write access</li> <li>Dial back</li> </ul> </li> </ul> <p><b>Predictive Failure Analysis (PFA) Alerts</b></p> <ul style="list-style-type: none"> <li>Power supplies</li> <li>Fans</li> <li>Memory</li> <li>Hard disk drives</li> <li>Microprocessors</li> <li>Voltage regulator modules (VRMs)</li> </ul>	<p><b>Integrated Functions</b></p> <ul style="list-style-type: none"> <li>Two serial ports</li> <li>Two universal serial bus (USB) ports</li> <li>One parallel port</li> <li>Mouse port</li> <li>Keyboard port</li> <li>Video port</li> <li>Advanced System Management Information port</li> <li>Two SCSI ports (one internal, one external)</li> <li>10BASE-T/100BASE-TX Ethernet port (controller on system board)</li> <li>Redundant Ethernet capability, through the use of an optional network interface card (NIC)</li> <li>Netfinity Advanced System Management processor on system board</li> <li>Dedicated Advanced System Management I/O port</li> <li>Video controller (with 4 MB video memory) compatible with: <ul style="list-style-type: none"> <li>Super video graphics array (SVGA)</li> <li>Video graphics adapter (VGA)</li> </ul> </li> </ul> <p><b>Power Supply</b></p> <ul style="list-style-type: none"> <li>Two 250 W (115–230 V ac) <ul style="list-style-type: none"> <li>Standard - 500 W non-redundant, 250 W redundant</li> <li>Optional - Additional 250 W power supply is available for 500 W redundancy</li> </ul> </li> <li>Automatic voltage range selection</li> <li>Built-in overload and surge protection</li> <li>Automatic restart after a loss of power</li> </ul> <p><b>Redundant Cooling</b></p> <ul style="list-style-type: none"> <li>Three hot-swap fans</li> </ul>
---	---	--

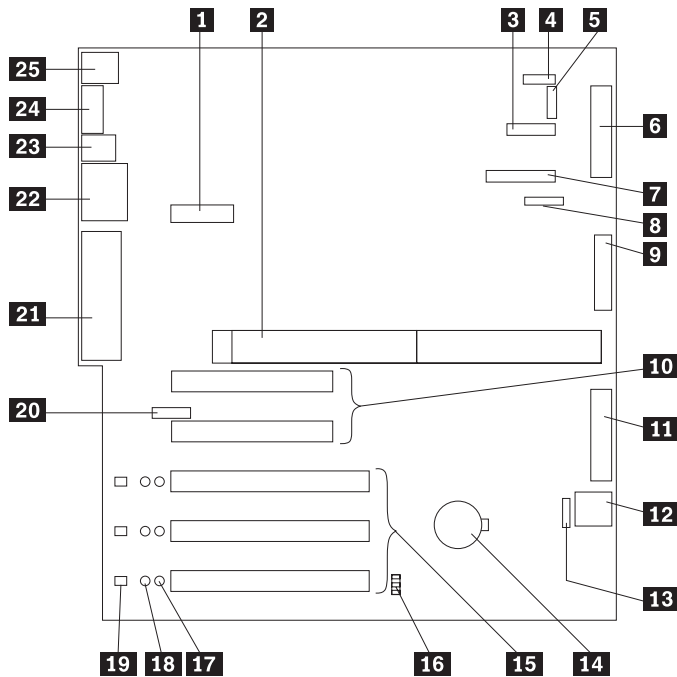
Intel, MMX, Pentium, and Pentium III Xeon are trademarks or registered trademarks of Intel Corporation.

## Exploded view of the Netfinity 5600 server



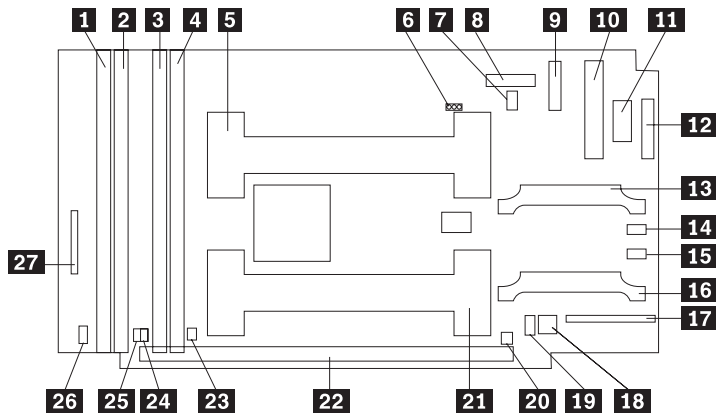
- |           |                                  |           |  |
|-----------|----------------------------------|-----------|--|
| <b>1</b>  | Operator information panel       | <b>12</b> | Processor board  |
| <b>2</b>  | Diskette drive                   | <b>13</b> | System board   |
| <b>3</b>  | Removable media bay filler panel | <b>14</b> | Side cover   |
| <b>4</b>  | CD-ROM drive                     | <b>15</b> | Primary microprocessor                                     |
| <b>5</b>  | Bezel                            | <b>16</b> | Microprocessor terminator<br>(or secondary microprocessor) |
| <b>6</b>  | Front door                       | <b>17</b> | DIMM sockets   |
| <b>7</b>  | Hot-swap hard disk drive         | <b>18</b> | Fan  |
| <b>8</b>  | Side cover release lever         | <b>19</b> | Power supply   |
| <b>9</b>  | Diagnostic panel                 |           |  |
| <b>10</b> | Adapter card support bracket     |           |  |
| <b>11</b> | Fan assembly                     |           |  |

## System board component locations



- |   |   |
|---|---|
| <p><b>1</b> Dual serial and PCI hot-plug control switch connector (J1)</p> <p><b>2</b> Microprocessor board connector (J4, J8)</p> <p><b>3</b> Operator information panel connector (J29)</p> <p><b>4</b> Reserved (J32)</p> <p><b>5</b> Reserved (J10)</p> <p><b>6</b> Diskette drive connector (J23)</p> <p><b>7</b> Diagnostic LED panel connector (J6)</p> <p><b>8</b> Reserved (J17)</p> <p><b>9</b> Internal LVD (low voltage differential) SCSI connector (J25) (with extender cable on bracket)</p> <p><b>10</b> PCI slots 1 and 2 (on primary PCI bus A)</p> <p><b>11</b> IDE connector (J27)</p> <p><b>12</b> Power control and reset panel cable connector (J18)</p> | <p><b>13</b> Advanced System Management Information connector (J35)</p> <p><b>14</b> Battery</p> <p><b>15</b> PCI (hot-plug) slots 3–5 (on primary PCI bus B)</p> <p><b>16</b> Jumper block (J20)</p> <p><b>17</b> PCI slot Power Good LEDs</p> <p><b>18</b> Internal PCI slot Attention LEDs</p> <p><b>19</b> External PCI slot Attention LEDs</p> <p><b>20</b> Advanced System Management adapter connector (J21)</p> <p><b>21</b> External LVD SCSI/Parallel port connector (J19)</p> <p><b>22</b> Serial/video port connector (J11)</p> <p><b>23</b> USB 1 and USB 2 port connectors (J9) (USB 2 is below USB 1.)</p> <p><b>24</b> Ethernet port connector (J7)</p> <p><b>25</b> Mouse and keyboard connectors (J5) (The mouse connector is above the keyboard connector)</p> |
|---|---|

## Processor board component locations



- |           |                                   |           |   |
|-----------|-----------------------------------|-----------|---|
| <b>1</b>  | DIMM connector 4 (J1)             | <b>14</b> | VRM 2 Error LED (CR19)  |
| <b>2</b>  | DIMM connector 3 (J2)             | <b>15</b> | VRM 1 Error LED (CR17)  |
| <b>3</b>  | DIMM connector 2 (J3)             | <b>16</b> | VRM 1 connector (J5)  |
| <b>4</b>  | DIMM connector 1 (J4)             | <b>17</b> | Fans 1 and 2 connector (J8)   |
| <b>5</b>  | Microprocessor 2 connector (U6)   | <b>18</b> | Switch block 2 (SW2)  |
| <b>6</b>  | Reserved (J15)                    | <b>19</b> | Switch block 1 (SW1) (might not be present on your server)                |
| <b>7</b>  | Microprocessor 2 Error LED (CR13) | <b>20</b> | Microprocessor 1 Error LED (CR12)   |
| <b>8</b>  | Reserved (J19)                    | <b>21</b> | Microprocessor 1 connector (U5)   |
| <b>9</b>  | Power supply connector (J6)       | <b>22</b> | System board connectors (J9 and J25) (on reverse side of processor board) |
| <b>10</b> | Power supply connector (J11)      | <b>23</b> | DIMM 1 Error LED (CR8)  |
| <b>11</b> | Power supply connector (J12)      | <b>24</b> | DIMM 2 Error LED (CR9)  |
| <b>12</b> | Power supply connector (J14)      | <b>25</b> | DIMM 3 Error LED (CR10)   |
| <b>13</b> | VRM 2 connector (J13)             | <b>26</b> | DIMM 4 Error LED (CR11)   |
|           |                                   | <b>27</b> | Fan 3 connector (J10)   |



Part Number: 37L6995

Printed in U.S.A.

September 1999

37L6995

