

Hardware Handbook

First Edition (August 1994)

The following paragraph does not apply to any state or country where such provisions are inconsistent with local law: INTERNATIONAL BUSINESS MACHINES CORPORATION PROVIDES THIS PUBLICATION "AS IS" WITHOUT WARRANTY OF ANY KIND, EITHER EXPRESS OR IMPLIED, INCLUDING, BUT NOT LIMITED TO, THE IMPLIED WARRANTIES OF MERCHANTABILITY OR FITNESS FOR A PARTICULAR PURPOSE. References to IBM products, programs, or services do not imply that IBM intends to make them available outside the United States.

This publication could contain technical inaccuracies or typographical errors. Changes are periodically made to the information herein; these changes will be made in later editions. IBM may make improvements and/or changes in the product(s) and/or program(s) at any time.

Address comments about this publication to IBM Corporation, Dept. D80/962-2, 455 Park Place, Lexington, KY 40511-1856 USA. Information you supply may be used by IBM without obligation.

For copies of publications related to this product, call toll free 1-800-IBM-7282 in the Continental U.S.A. In Canada, call toll free 1-800-465-7999.

© Copyright International Business Machines Corporation 1994. All rights reserved.

Table of contents

Notices	vii
Safety information	vii
Trademarks	viii
Hardware and software assistance	viii
About this book	ix
How this book is organized	ix
Related information	x
Part 1: Reference information	1
Chapter 1: Setting up and using a monitor	3
Using the tilt/swivel stand	3
Adjusting monitor controls	4
Contrast and brightness controls	4
Image controls	5
Rotary image controls	6
Push button image controls	6
Power saver feature	8
Monitor settings	9
Selecting monitor settings	9
Monitor Frequency	10
Monitor Resolution, Number of Colors, and Font Size	11
Performance tips	12
Chapter 2: System performance	13
Using Rapid Resume Manager	13
How Rapid Resume saves information	14
Installing a printer driver	15
Controlling the volume on multimedia systems	17
Adjusting the speaker volume	17
Adjusting the headphone volume	17

Chapter 3: Modem information	19
About built-in modems	19
Connecting your modem to the telephone network	19
Types of built-in modems	19
Operating your modem	20
Tips on using your modem	21
Using the Auto Answer feature	21
Using the telephone with your modem	21
Disabling Call Waiting	21
How modems work	23
Modem connection process	23
Data modems	23
Connecting to other data modems	24
Fax modems	25
Choosing fax software applications	25
Communications settings	26
Changing modem addresses	26
Modem commands	28
Modem return codes	31
S registers	32
 Chapter 4: Troubleshooting	 37
Problem solving steps	37
Troubleshooting tables	40
Error codes, descriptions, and corrective actions table	52
 Chapter 5: Working with the Configuration Utility	 59
Using the Configuration Utility	59
Starting the Configuration Utility	59
Making changes with the Configuration Utility	61
Rapid Resume options	62
Advanced Configuration Utility options	64

Part 2: Installing options	67
Chapter 6: Working with your system unit	69
How to begin	69
Identifying parts of the system unit	70
Specifications of the system unit	71
Preparing to install adapter cards	72
Adapter card specifications	72
Adapter card settings	72
Installing adapter cards	73
Installing a video adapter card	74
Preparing to install drives	76
Installing additional drives	77
IDE/AT interface drives	77
Guidelines for attaching additional IDE/AT interface drives	78
Diskette interface	78
Installing and removing a drive in bay 1	80
Installing and removing a drive in bay 2 or 3	81
Installing and removing a drive in bay 4	82
Installing and removing a hard disk in bay 5	83
Installing and removing a hard disk in bay 6	84
Chapter 7: Working with your system board	85
How to begin	85
Removing the adapter cards and the riser card	86
Identifying parts of the system board	88
Specifications for the system board	89
Installing an upgrade processor	90
Jumper instructions for processor upgrades	92
Installing and removing memory modules	93
Installing memory modules	93
Removing memory modules	94
Upgrading video memory	95
Replacing the battery	96

Appendix A: Reference tables	97
Memory map	97
System Input/Output (I/O) addresses	98
System board interrupts	100
DMA channel assignments	101
Index	103

Notices

References in this publication to IBM* products, programs, or services do not imply that IBM intends to make these available in all countries in which IBM operates. Any reference to an IBM product, program, or service is not intended to state or imply that only IBM's product, program, or service may be used. Any functionally equivalent product, program, or service that does not infringe any of IBM's intellectual property rights may be used instead of the IBM product, program, or service. Evaluation and verification of operation in conjunction with other products, except those expressly designated by IBM, are the user's responsibility.

IBM may have patents or pending patent applications covering subject matter in this document. The furnishing of this document does not give you any license to these patents. You can send license inquiries, in writing, to the IBM Director of Commercial Relations, IBM Corporation, Purchase, NY 10577.

Safety information

The construction of the IBM Aptiva* Personal Computer provides extra protection against the risk of electrical shock. The IBM Aptiva PC has a power cord with a three-prong plug that is required to ground metal parts. It is the responsibility of the person installing the computer to connect it to a properly grounded electrical outlet. Seek professional assistance before using an adapter or extension cord; these devices could interrupt the grounding circuit.

If the computer is connected to an electrical outlet that is incorrectly connected to the building wiring, serious electrical shock could result.

For continued protection against the risk of electrical shock:

- Connect your computer only to an electrical outlet of the correct voltage. If you are unsure about the voltage of the electrical outlet you are using, contact your local power company.
- If your computer has cables other than the power cords, you must connect them before plugging the power cords into an electrical outlet. Before removing these cables, you must first unplug the power cords from the outlet.
- If your computer has a telephone connection, do not touch the telephone cords when there is lightning in the area.
- Do not use or store the computer in an area where it can become wet.
- Make sure all replacement parts have characteristics identical or equivalent to the original parts. Other parts may not have the same safety features.
- Personal injury or electrical shock may result if you undertake actions other than those specifically described in this book. This is particularly true if you try to service or repair the power supply, monitor, or built-in modem. Always refer service or repairs to qualified service personnel.

Caution:

Your computer uses lithium batteries. There may be a risk of fire, explosion, or burns if the batteries are handled incorrectly. To ensure safety:

- *Do not recharge, disassemble, heat, or incinerate a lithium battery.*
- *Replace the battery with an identical or equivalent type lithium battery.*
- *Discard used lithium batteries according to local country dispositions.*

Trademarks

The following terms, denoted by an asterisk (*) in this publication, are trademarks or service marks of the IBM Corporation in the United States and other countries:

- Aptiva
- AT
- IBM
- OS/2
- Rapid Resume

The following terms, denoted by double asterisks (**), are trademarks in this publication.

This term...	Is a trademark of...
Hayes	Hayes Corporation
Intel	Intel Corporation
Microsoft	Microsoft Corporation
Novell Netware	Novell Incorporated
OverDrive	Intel Corporation
PFS:WindowWorks	SoftKey International Incorporated
UNIX	Novell Incorporated
VESA	Video Electronics Standards Association
Windows	Microsoft Corporation
Windows NT	Microsoft Corporation
Works for Windows	Microsoft Corporation

Hardware and software assistance

See your *Services and Support Guide* for information on getting hardware and software assistance.

About this book

The *Hardware Handbook* contains general information about using The IBM Aptiva* Personal Computer. It also provides hardware specifications and installation instructions for most options that you can add to your computer.

For example, this book can help you:

- Select software settings that let you get the best performance from your monitor
- Install a printer driver
- Control the volume on multimedia systems
- Send commands to your modem
- Determine the cause of many computer problems and fix them yourself
- Install and remove adapter cards
- Install and remove diskette drives, hard disk drives, tape drives, and CD-ROM drives
- Add memory
- Upgrade your processor
- Change your battery

How this book is organized

This book has two parts and an appendix.

“Part 1. Reference information” contains information about

- Using monitors and modems
- Using Rapid Resume Manager
- Installing printer drivers
- Controlling the volume on multimedia systems
- Troubleshooting problems
- Using the computer’s Configuration Utility.

“Part 2. Installing options” contains instructions for installing options in your system unit and on your system board.

“Appendix A. Reference tables” contains technical reference information that you may need when installing options.

Related information

The following publications and online documentation contain more information about your computer:

Read me first. This booklet contains instructions to help you unpack, setup, and start using your computer.

Services and Support Guide. This folder contains important information about hardware service and software support for your computer. Here you will find information about using the 1-800-number (for hardware assistance) and IBM support services (for answers to questions about your new computer). This folder also contains your warranty and license agreement.

A Guide to All the Extras. This folder contains information about a wide selection of additional software offerings. Be sure to read this information to take full advantage of all The IBM Aptiva Personal Computer offerings.

Online documentation. The software that came pre-loaded on your computer includes online tutorials and exercises that can help you learn how to use your computer. We suggest you start exploring the online documentation by double-clicking on the Learning Library icon in Program Manager.

Reference information **Part 1**

In this part, you will find these chapters:

- “Setting up and using a monitor” describes how the monitor controls work and explains how to set up the software that lets you get the best performance from your monitor.
- “System performance” explains how your computer will function when you have Rapid Resume Manager features enabled, how to install a printer driver, and how to control the volume on multimedia models of the IBM Aptiva PC.
- “Modem information” describes the modems that come on some models of The IBM Aptiva Personal Computer, their features, and how they work. This chapter also explains how to send modem commands and includes a table of frequently used commands.
- “Troubleshooting” describes potential computer problems and their solutions.
- “Working with the Configuration Utility” explains how to use the Utility to change your computer’s hardware information.

Setting up and using a monitor 1

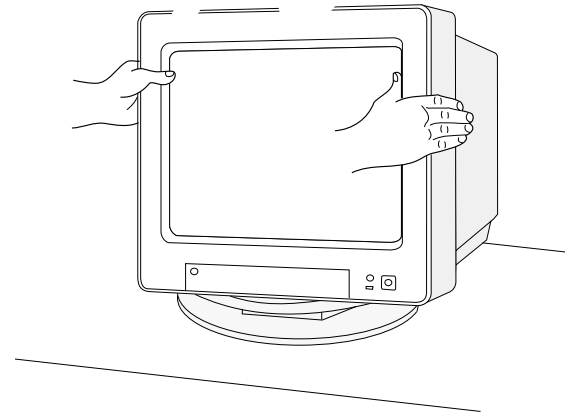
You should have already followed the setup instructions in the *Read Me First* booklet to connect the monitor to the system unit.

Using the tilt/swivel stand

Your monitor may come with a tilt/swivel stand that lets you adjust the screen to a comfortable viewing angle. (Your tilt/swivel stand may come preinstalled. If it is not preinstalled, see the installation instructions that came with your monitor.)

To use the tilt/swivel stand, grasp the monitor with both hands and:

- Pull downward to lower the monitor.
- Push upward to raise the monitor.
- Push side to side to turn the monitor.



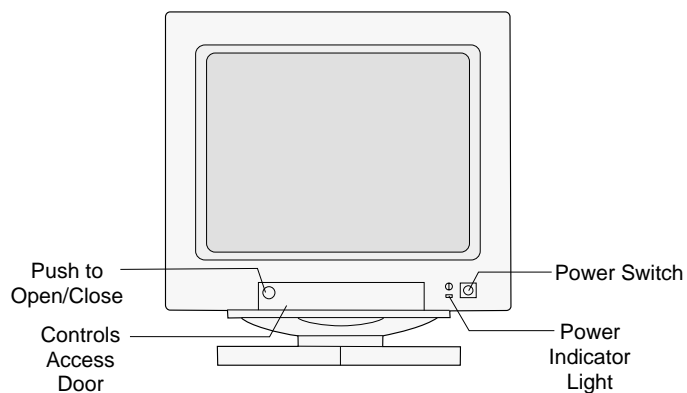
Adjustment tips:

- Tilt the monitor at an angle that gives you the least reflection from lights and windows. This usually means positioning the screen at a right angle to any windows.
- Position the monitor so that the top of the screen is slightly below your eye level.

Adjusting monitor controls

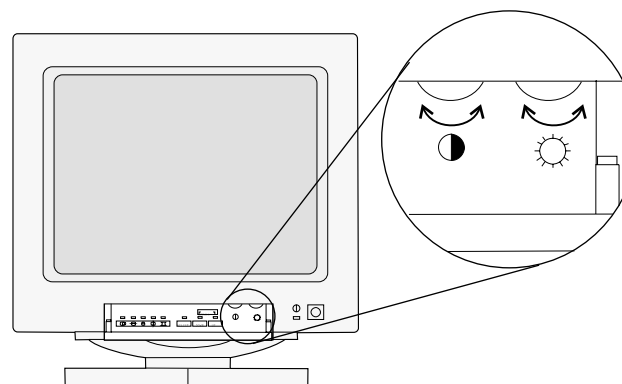
Your monitor has controls for adjusting the image that you see on the screen. The instructions on the next few pages will help you identify and adjust these controls.

The following picture shows a typical monitor. Your monitor may or may not have a controls access door. Push in on the door to open it.





Contrast and brightness controls

Use the contrast and brightness controls to sharpen and change the intensity of the image on your screen. (The controls on your monitor may not be located behind a door as shown in the following picture.)



Most monitors have symbols above the controls that identify the control function.

	Contrast	Makes the image sharper.
	Brightness	Makes the image lighter or darker.

To adjust the contrast and brightness controls:

1. Be sure the monitor and system unit are turned on. (The power indicator lights on the monitor and system unit are lit when they are on.)
2. Adjust the monitor controls until you get the effect you want.







Adjustment tips:

- Set the brightness level so that the background (the black visible area just outside the data/text area) just disappears.
- Set the contrast level so that text does not appear fuzzy. The edges of the characters should remain sharp.

Image controls

Some monitors have controls that let you adjust the shape and position of the images you see on the screen. These image controls are located on the front of the monitor underneath the screen, typically behind a door.

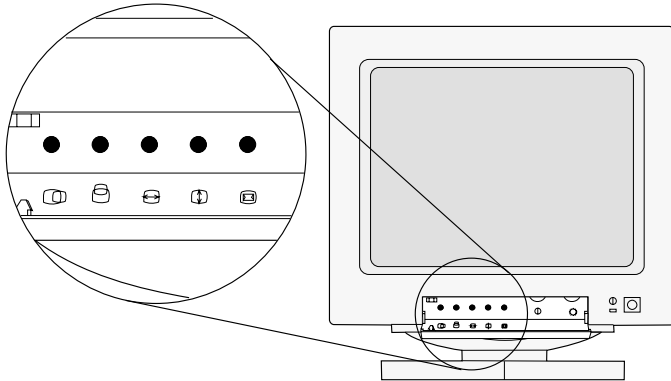
The following are symbols for common image controls. The symbols are located next to the controls. Your monitor may have some or all of these controls.

	Centers the screen image horizontally.
	Centers the screen image vertically.
	Adjusts the horizontal size of the screen image.
	Adjusts the vertical size of the screen image.
	Adjusts the vertical sides of the image from appearing to bow in or out.
	Adjusts the angles of the vertical sides of the image.

If your monitor has image controls, they could be either *rotary* or *push button* controls.

Rotary image controls

You turn knobs to adjust rotary image controls. The knob for each control is located next to the symbol.



To adjust a rotary image control, turn the knob to the left or right until you get the effect you want.

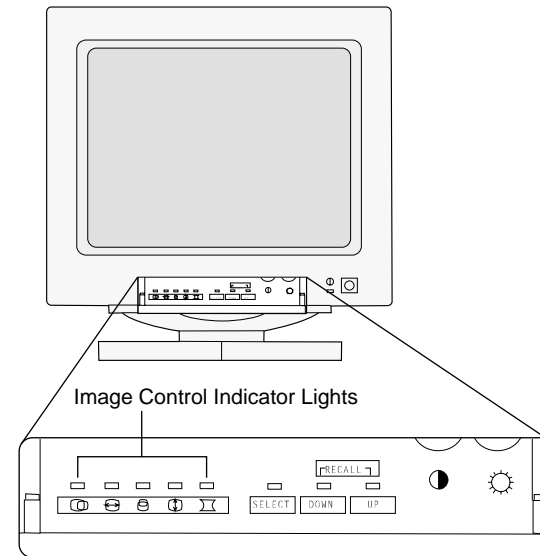
Push button image controls

You adjust some image controls with push buttons. The way that you adjust the push button image controls depends on whether you have a monitor *with* or *without* indicator lights.

Monitors with image control indicator lights

If your monitor has an indicator light next to each image control symbol, follow these steps to adjust the image controls:

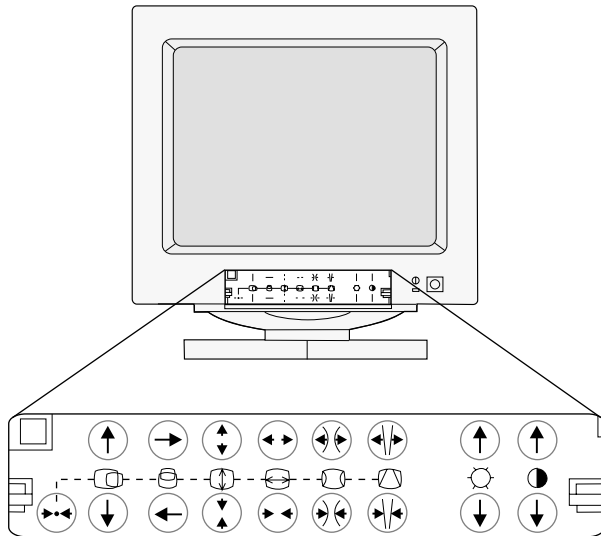
1. Press **SELECT** until the light next to the symbol for the image control you want to adjust is lit.
2. Press **DOWN** to decrease the selected effect or press **UP** to increase the selected effect.



note: *If the monitor cable is disconnected from the system unit, the lights next to the symbols will flash consecutively.*

Monitors without image control indicator lights

If your monitor has push buttons next to each image control symbol, adjust the image controls by pressing the arrows next to the symbols to increase or decrease the effect. *After you make all of your adjustments, you must wait 5 seconds for the monitor to save the new setting.*




Adjustment tip:

- Use push button image controls to minimize the black border around the data/text area on the screen by adjusting the image size out to the edges of the monitor casing.

Recall function

For monitors with push button image controls, the image control settings for common display modes have been preset at the factory. (A display mode is the combination of the monitor's resolution and horizontal frequency settings. For example, 720x400 at 70Hz.) For some display modes, you can return to (recall) the image control settings set at the factory. For monitors:

- With image control indicator lights, you press **UP** and **DOWN** together to recall factory settings.
- Without image control indicator lights, you press and hold the Reset button, , for about 4 seconds to recall factory settings.

Example:

If you have selected a display mode of 720x400 at 70Hz, common for DOS, and you change the image settings while you are in that mode, you can use the Recall function to return to the factory image control setting.

Power saver feature

Your monitor may have a power saver feature, which allows the monitor to save energy when it has not been used for a specified amount of time. Your IBM Aptiva Personal Computer comes with a special feature called Rapid Resume*, which lets your monitor and computer use this power saver feature. The Aptiva Index describes the Rapid Resume features and gives you step-by-step instructions for setting it up. You can use the Aptiva Index by double-clicking on its icon in Program Manager.

note:

The monitor's power indicator light will begin to flash soon after the system unit turns off when Rapid Resume features are enabled.

Monitor settings

The following definitions will help you understand some of the terms used to describe monitor characteristics.

Table 1: Monitor terms and definitions

Term	Definition
display mode	A resolution setting associated with a vertical frequency setting (and sometimes a color setting). For example, 640x480 at 72 Hz, 256 colors.
horizontal frequency	Rate (in kilohertz [kHz]) at which each line on the screen is drawn.
interlaced	Method of producing an image by drawing only alternating lines until the entire image is completed.
noninterlaced	Method of producing an image by drawing each line, one after the other, until the entire image is completed.
pel (or pixel)	A picture element. A small rectangle or portion of an image that together with other pels make up the entire image.
resolution	The number of pels required to display an image horizontally and vertically. for example, 640x480 means 640 pels horizontally and 480 pels vertically.
SVGA	Super video graphics array. A video standard that provides some of the higher text and graphics resolutions.
vertical frequency	Rate (in hertz [Hz]) at which the entire image is drawn on the screen. Also called "refresh rate".

Selecting monitor settings

These are the monitor settings that you can select.

- **Monitor Frequency.** Sets the computer's video output frequency to match the monitor's frequency.
- **Monitor Resolution.** Determines the amount of information that can appear on the screen.
- **Number of Colors.** Sets the number of colors that can be displayed on the screen.
- **Font Size.** Sets the size of the characters displayed on the screen.

The values you can choose for Monitor Resolution and Number of Colors depend on the:

- Monitor's horizontal frequency setting.
- Amount of video memory installed on the computer's system board. The amount of video memory installed on your system board is listed in the Configuration Utility. For instructions on using the Configuration Utility, see page 59.

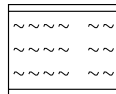
Monitor Frequency

If your monitor and system unit came:

- *Packaged together*, your monitor frequency was set correctly at the factory to give you the best performance from your monitor. You do not need to complete the following steps unless you attach a different monitor.
- *Separately*, complete the following steps to get the best performance from your monitor.

You select the Monitor Frequency setting in the Configuration Utility. To select the Monitor Frequency setting:

1. If your monitor and system unit are turned:
 - a. *On*, close all of your applications and turn off the system unit. Then turn it on again.
 - b. *Off*, turn on your monitor, and then turn on your system unit.
2. Press the F1 key when this symbol appears in the upper right corner of your screen:



This starts the Configuration Utility.

3. Press the Down Arrow key until the Monitor Frequency setting is highlighted.
4. Look in the documentation that came with your monitor to find the highest *horizontal frequency* that your monitor can support. Horizontal frequency is also called *horizontal scanning frequency*.

5. If the current Monitor Frequency setting is:

- a. Correct for your monitor, press Esc to exit the Configuration Utility.
- b. Not correct for your monitor, press the Left Arrow or Right Arrow key until you see the correct setting. (For additional information about this setting, press F1 while the setting is highlighted.)

Warning!

Do not select a setting that exceeds the capabilities of your monitor. If you do, your monitor will not function properly. If this happens, turn off your system unit and repeat steps 1 through 5.

To save your selection and exit the Configuration Utility, press Esc and then press Enter.

Monitor Resolution, Number of Colors, and Font Size

Once you have selected the correct monitor frequency, the computer knows which resolutions and colors your monitor can support. In Display Select (where you select Monitor Resolution, Number of Colors, and Font Size), you can only select those settings that are supported. Settings that are not supported are gray, and nothing happens when you click on them.

Of the settings that your monitor supports, you should select the ones that are most comfortable for you to work with. You can determine which settings are most comfortable to work with by selecting and trying each one.

To set the Monitor Resolution, Number of Colors, and Font Size settings, follow these steps:

1. Double-click on the *Custom Tools* icon, then click on the *Display Select* button.
2. Click on one of the resolution settings that is not grayed out.
3. Click on one of the color settings that is not grayed out.
4. Click on the font size that you prefer.

note: | For additional information about these settings, see the Help topics in Display Select.

Tips:

The highest resolution and color settings are not always best. For example:

- Higher resolutions display more pels. While this allows more text and graphics to be displayed, it makes them appear smaller. For most users, 640x480 or 800x600 is a comfortable resolution setting.
- When you select more colors, most software applications will slow down. Only choose as many colors as you need. A color setting of 256 typically provides the fastest performance.

Performance tips

Here are some general guidelines for working with your monitor:

- Place your monitor away from sources of magnetic interference, such as other monitors, unshielded speakers, and electric power lines. (The speakers that come with some models of the computer are shielded.)
- Keep the monitor screen clean by using a nonabrasive screen or glass cleaner. Do not spray the cleaner directly on the screen.
- Under some conditions, interference patterns, such as curved, shadowy lines, can occur. If these patterns appear on your screen, change your software application's background color or design.
- To extend the life of your monitor, turn it off at the end of each day.
- Check the documentation that came with your software application to see if it will let you select combinations of resolution and color. This could make viewing the screen more comfortable.

System performance **2**

This chapter covers a variety of topics that affect the performance of your system. It includes detailed information that will help you:

- Use the Rapid Resume Manager, an exclusive energy-saving feature found only on IBM Aptiva PCs
- Install a printer driver on your computer
- Control the volume on multimedia models of the IBM Aptiva PC

Using Rapid Resume Manager

Your IBM Aptiva Personal Computer comes with special features called Rapid Resume* Manager that make using your computer easier and more economical. Rapid Resume Manager has the following features:

- **Rapid Resume.** If you are using Windows**, OS/2*, or DOS, Rapid Resume remembers the state of your computer when you turn it off. The next time you turn on your computer, your applications and files will be open just as you left them. The Automatic Power Off option saves energy by turning your computer off after it has not been used for a period of time that you set.
- **Standby.** Lets your computer use less energy after it has been inactive for a period of time that you set.
- **Scheduler.** Turns on the computer for an activity that you specify, such as sending a fax.
- **Wake Up on Ring.** Turns on the computer when the phone rings to let you receive a fax.

The following table describes the way your computer will normally operate when one of the Rapid Resume Manager features is turned on (enabled). See the Aptiva Index for step-by-step instructions for enabling Rapid Resume Manager features.

Table 2: Rapid Resume Manager normal operation

What happens:	Explanation:
Task List appears after turning on the computer.	This is a normal feature of Rapid Resume. Use the Task List to return to an application or disable the Task List in the Rapid Resume Options window.
Delay before mouse works.	This is normal for the Standby feature of Rapid Resume. When your computer comes out of Standby, and the desktop reappears, it may take a few seconds for the mouse to become active.
Computer waits before turning off.	This is normal. In some cases, it can take up to several seconds before Rapid Resume saves the desktop and turns off the machine.
Can't start the computer from diskette if Rapid Resume is enabled.	After you turn on the computer, press Ctrl + Alt + Delete when you see the Rapid Resume screen. There may be a slight delay before the computer restarts.

Table 2: Rapid Resume Manager normal operation

What happens:	Explanation:
Computer comes on when the phone rings.	This is a normal feature of Wake Up on Ring. You can prevent this by disabling Wake Up on Ring in Rapid Resume Manager or in the Configuration Utility.
Computer comes on when you haven't pushed the on/off button.	This is a normal feature of Scheduler. If you don't want this to happen, disable Scheduler in Rapid Resume Manager or Wake Up on Alarm in the Configuration Utility.
System unit power indicator light is blinking, but system unit is turned off.	This is a normal feature of Wake Up on Ring. It indicates a fax may be waiting. With Wake Up on Ring enabled, you can select this feature in the Configuration Utility by enabling the Indicator option.
System unit and monitor are on, but nothing is displayed on the screen.	This is a normal function of the Standby feature. Press a key or move the mouse to exit Standby.

How Rapid Resume saves information

When you use Rapid Resume, the contents of memory are saved in a special file on your hard disk every time you turn off your computer. This is a hidden system file called "_PS1SAVE.DAT". With Rapid Resume enabled, it is created each time you start your computer by pressing Ctrl + Alt + Delete.

The size of this file depends on how much memory is installed on your computer. If you install additional memory, the size of the file increases when you press Ctrl + Alt + Delete to start your computer. If your hard disk does not have enough space for the _PS1SAVE.DAT file, Rapid Resume cannot be enabled until you create enough space for this file.

If you choose not to use Rapid Resume, you can delete the _PS1SAVE.DAT file to free some space on your hard disk. For more information about Rapid Resume and specific instructions on how to delete the _PS1SAVE.DAT file, see section 2.4 of the README.TXT file located in the PS1TOOLS directory of your computer.

Installing a printer driver

After you have attached your printer to your computer as described in the *Read Me First* booklet, you need to install the correct printer driver in Windows.

A printer driver is a file that describes the characteristics of your printer to the software. The software then uses the file to convert your text and graphics into a form that your printer can understand.

To install the correct printer driver:

1. At the Microsoft** Windows Program Manager screen, double-click on the First Steps icon.
2. Click on Set up your Printer.
3. Click on Start. The "Printers" window appears.
4. Click on Add>>.
5. Click on the name of your printer in the "List of Printers:" box. You may have to scroll through the list until you find the name of your printer.

If you do not see the name of your printer in the box, your printer may have an emulation mode that allows it to print like one of the printers in the list. Look in the documentation that came with your printer to find information on emulation modes. Then select the name of one of the printers it can emulate in this list.

If your printer came with a diskette, it may contain the printer driver your printer needs. Follow the instructions in the documentation that came with your printer to install this driver.

6. Click on Install... The name of your printer is now highlighted in the "Installed Printers:" box.
7. While the name of your printer is highlighted in the "Installed Printers" box, click on Set As Default Printer.

note:

*Most fax software packages allow you to set the fax modem as the default (current) printer. If your computer came with a fax modem, you must set the fax modem as the current printer while you are sending and receiving faxes from a Windows** program. When you are finished using the fax modem, change the current printer back for printing. For more information, see the online Aptiva Index entries pertaining to your fax software.*

8. Make sure the name of your printer appears in the "Default Printer" box. If it doesn't, repeat steps 4 through 7.
9. Click on Setup... to change the default settings for your printer. For example, you can select the paper source, paper size, and page orientation.

10. After you have made your selections, click on OK.

A port is a connection on the back of the system unit in which you plug a device, such as a printer. Most printers are parallel printers, and therefore should be attached to parallel ports.

note: *In the Connect window, you can assign your printer to a port. However, if you have a parallel printer and you attached it to your system unit as described in the Read Me First publication, Windows automatically selects the correct port (LPT1) for you.*

11. Click on Close to save your selections and exit the "Printers" window.

Controlling the volume on multimedia systems

If you have a multimedia model of The IBM Aptiva Personal Computer, you can control the volume in three ways:

- With the volume control on the speakers
- With the volume controls in the multimedia software that came with your system
- With the volume control on the CD-ROM drive on the front of the system unit (your system may not have this volume control). This volume control is used solely to control headphone volume and has no affect on the speakers.

The method you use to control the volume depends on whether you are listening to sound through the speakers or the headphones.

Adjusting the speaker volume

If you are listening to sound through the speakers, use the volume control on the front of the speaker to adjust the volume.

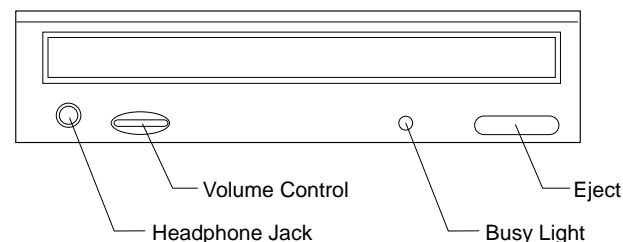
The volume control on the front of the speaker is affected by the volume control setting in the multimedia software that came with your computer. For example, if you turn the volume on the speaker all the way up, and no sound comes out of the speakers, the volume setting in your multimedia software is too low.

The multimedia software volume controls are located in either the Soundblaster group or the Multimedia Utilities group in Windows Program Manager.

Adjusting the headphone volume

You can plug your headphones into the headphone jack on the CD-ROM drive (not available on all systems) or the Out jack on the sound card on the back of the computer's system unit.

- On some IBM Aptiva PCs, a headphone jack is located on the CD-ROM drive on the front of the computer's system unit.



When your headphones are plugged into the headphone jack on the CD-ROM drive, they will pick up only the sound coming from an ordinary audio CD in the CD-ROM drive. The headphones will not pick up other sounds generated from your computer or any external device connected to the computer, such

as a MIDI (Musical Instrument Digital Interface) keyboard.

When your headphones are plugged into this jack, use the volume control on the CD-ROM drive to adjust the volume of the headphones. This volume control adjusts the volume of the headphones, but not the speakers. If you want to turn the speaker volume down while using the headphones, use the volume control on the speaker.

- On all multimedia models of the IBM Aptiva PC, the headphones can be plugged into the Out jack on the sound card on the back of the system unit. This is the same jack you plug your speakers into. You must disconnect your speakers to use this jack with your headphones.

If you plug your headphones into the jack on the sound card, the headphones will pick up all sounds generated from your computer and any external devices connected to the computer, such as a MIDI (musical) keyboard. The headphones will also pick up sound coming from a CD in the CD-ROM drive.

note:

When your headphones are plugged into the jack on the sound card, you must control the headphone volume through the volume control in the multimedia software on your computer. You cannot control the headphone volume from the volume control on the CD-ROM drive. To access the multimedia software, look in either the Soundblaster group or the Multimedia Utilities group in Windows Program Manager.

When using this jack, a few sounds may not be audible in the headphones, such as the beep when you turn on your computer.

Modem information 3

About built-in modems

Some IBM Aptiva PCs have a built-in modem (modulator-demodulator). Using a telephone network, a modem allows your computer to communicate with other computers or fax machines.

This chapter includes important information about connecting your modem to the telephone network and operating your modem. You'll find useful tips that will help you:

- Use the Auto Answer feature with your modem communications software
- Use the telephone with your modem
- Use the Wake Up on Ring feature if you replace your built-in modem

We've also included a section about how modems work to help you understand the problems you may encounter as you use your modem.

Connecting your modem to the telephone network

Modems are designed to operate over the public switched telephone network (PSTN or PSN). This is an *analog network* commonly used by most households and businesses. Connect the modem to an analog net-

work *only*. If you are not sure about your telephone line, contact your local telephone company.

Warning!

- *Excessive voltages can occur on telephone lines, especially during lightning storms. To avoid any possible damage to sensitive electronic parts, unplug the computer and the telephone cords during such storms.*
- *Some businesses, schools, and buildings have digital telephone systems, known as digital private branch exchange (PBX) systems. These systems do not work with the modem. Connecting your modem to a digital telephone system may damage the modem.*

Types of built-in modems

Most IBM Aptiva PCs purchased in the U.S. and Canada that have built-in modems use one of the modems listed below. The modem you have depends on your computer's model and is shown on the box your computer came in.

2400 bps data modem with 9600 bps send fax and 4800 receive fax capabilities: This modem is GVC F-9424H/R1; it supports Class 1 fax commands.

14,400 bps data modem with 14,400 bps send and receive fax capability: This modem is GVC F-1114HV/R1 or /R6; it supports Class 2 fax commands and V.42bis.

note: *Some IBM Aptiva PCs in the U.S. and Canada, and some models in other countries, may have built-in modems with more features than the modems listed here. If you have one of these models, refer to the modem documentation that came with your computer.*

Operating your modem

You can operate your modem either through a modem communications software package or from your DOS prompt.

Most people use a communications program (software package) to operate their modem. Examples of these programs include Windows Terminal, PFS:Window-Works** Terminal, and Microsoft Works for Windows** Terminal. These programs allow you to operate your modem without using the Hayes** AT command set—the commands that modems understand. With these software packages, you operate your modem by choosing menu items from a screen on your computer. If you use a communications program, see the user's guide that came with the software for detailed instructions on operating your modem.

note: *Most modem communication programs also allow you to send specific AT commands to the modem.*

You can also send commands to your modem from the DOS (C:>) prompt. Operating your modem with DOS is difficult and generally for experienced modem users

only. With DOS, you must type long AT command strings and you may need to send a variety of commands for each transmission. Also, you are not always sure if your commands have been received and executed by the modem.

To communicate with a modem from DOS, use the ECHO command. Direct these commands to the port your modem is connected to. For example:

```
C:\ > echo ATSO=0&W0&W1>COM1 and press  
Enter.
```

This is an AT command that:

- Stores a 0 into S register 0 to turn Auto Answer off (ATS0=0). S registers are storage areas inside the modem. The S registers hold values that the command set uses to control modem operations. For more information on S registers, see page 32.
- The &W0&W1 portion of the command stores ATS0=0 into memory (NVRAM locations 0 and 1) for future use.
- The command is directed to the modem's port (>COM1).

Whether you use DOS or a modem communications program, you can send a wide variety of commands to your modem. For a detailed listing of modem commands see page 28.

Tips on using your modem

This section provides tips on:

- Using the Auto Answer feature with your modem communications software
- Using the telephone with your modem
- Using your computer's Wake Up on Ring feature if you decide to replace your built-in modem.

Using the Auto Answer feature

If you use a modem communications program, it may require your modem to be set for *Auto Answer*. The Auto Answer feature lets your computer answer calls from another computer automatically.

To start the Auto Answer feature from your communications software, use the command: `ATSO=n`. This command tells the modem to answer a call after a certain number of rings. To set the number of rings, replace `n` with any number from 1 to 255.

Turn AutoAnswer off when you are not using your modem. Otherwise, callers will be greeted with the modem tone. To turn Auto Answer off, use the command: `ATSO=0`.

note: *If you are using AutoAnswer with a fax software application, setting a high number of rings will allow you to answer the telephone before the fax software does.*

Your modem communications program determines how the modem operates with AutoAnswer. Some fax appli-

cations do not require you to type an AT command to turn Auto Answer on or off. For specific instructions, see the user's guide that came with the communications software.

If your computer came with fax software already installed, use the fax software documentation included in the box your computer came in or the fax software online Help for additional information.

Using the telephone with your modem

To avoid interrupting modem communications, follow these telephone operating procedures.

When using the telephone line for modem communications, do not pick up any telephone receiver on that line. If you do, communications will be interrupted.

Disabling Call Waiting

You may want to disable the Call Waiting feature while using your modem. With Call Waiting, communications can be interrupted when a second call is waiting to be answered.

To disable Call Waiting, contact your telephone company. Different telephone companies have different procedures for disabling this feature. Also, some telephone companies cannot disable Call Waiting. Your telephone company business office should be able to tell you the

procedures and *dialing sequence* required to disable Call Waiting.

A dialing sequence is similar to a command you type on your computer. For example, in some areas the following dialing sequence disables Call Waiting:

(# or *)70,,, (complete telephone number)

The dialing sequence you type on your computer might look like this: *70,,,5554343. The commas (,,,) pause the modem until the command is carried out, then the telephone number is dialed automatically.

Call waiting will be disabled only for the duration of your modem's current call and only from the calling end. For incoming calls, you may find it helpful to change the value of register S10 to a higher number. For more information on S registers, see page 32.

Your modem communications software determines how your modem operates with Call Waiting. For specific instructions, see the user's guide or online Help that came with the communications software.

If your computer came with fax software already installed, the fax software documentation was included in the box your computer came in.

How modems work

If you are having problems connecting to other modems, or are interested in learning more about how modems work, the information in this section can help you. This section discusses data modems, connecting to other data modems, fax modems, and choosing fax software applications.

Modem connection process

For two modems to connect, they must be of the *exact same* type and function. A data modem can only connect to a data modem and a fax modem can only connect to a fax modem. Many modern modems are designed with both data and fax capabilities. The data components of these data/fax modems can communicate with data modems, and the fax components can communicate with fax modems.

The connection process is controlled by software built into the modem. This connection process is called a *protocol*. The protocol of one modem communicates with the protocol of another and they “negotiate” to achieve a connection. These protocols must be compatible for the modems to connect.

The result of this negotiation determines the speed at which the two modems connect. Normally a 14,400 bits per second (bps) modem connects with a 9,600 bps modem at the lower speed of 9,600. But, because of phone line noise, they may connect at 2,400 bps. If you use a modem software package (such as Windows Terminal, PFS:WindowWorks, or Microsoft Works for Win-

dows), you should see the final connection speed on the screen. This rate remains constant throughout the session.

Data modems

Data modems send and receive data in the form of codes that represent letters, numbers, and spaces. Each letter of a word is represented by a code. These codes are sent in a series with a different code representing a space between words. Special applications, like word processors, use additional code sequences to indicate font type, bold, italic, and so on.

You use the *Attention* command set (sometimes called the *AT* or *Hayes* command set) to send commands to your data modem. The AT command set has evolved over the years, and some of its “standards” have also changed. Modem default settings and the more sophisticated modem commands, in particular, have changed over time.

Modem protocols govern the way a modem converts digital information from the computer into analog signals that can be transmitted over the telephone lines. Over time, standards have been created for these protocols. These standards are necessary so that modems made by different companies can exchange data.

Primarily, modem standards and recommendations in the United States have been set by two organizations:

- The International Telephone and Telegraph Corporation set the “Bell” standards.
- The International Consultative Committee on Telephony and Telegraphy set the “V.” (Vee Dot) recommendations.

Data modems use these standards for speeds up to 14,400 bps:

- Bell 103
- Bell 212A
- CCITT V.21, V.22, V.22bis, V.23, V.32, and V.32bis

Many modems support all of these standards. Older modems may support some but not all of these standards.

Connecting to other data modems

Phone line noise can cause loss of data and connection when modem speeds rise above 1200 bps. Over time, many different software transmission protocols, such as X-modem, MNP, and V.42bis, have been developed solely to detect and correct the errors caused by phone line noise. Not all of these protocols are compatible. This may be the reason you are unable to connect to another modem.

If your data modem uses any error detection and correction protocol, the modem on the other end must also have the same protocol. For example, if your data modem uses X-modem (one of the early protocols), the modem you’re connecting to must also use X-modem. This is why you are asked to choose a transfer type in

your software before downloading a file from a bulletin board.

Many different error detection and correction protocols are commonly used today. Examples of the earliest error detection and correction protocols include X-modem, Y-modem, and Kermit. These protocols are performed by software on your computer.

Recently developed protocols include the Microcom Network Protocol (MNP) and V.42bis. These protocols are performed by “firmware.” Firmware is software built into the modem. V.42bis is the newer of these two protocols. It has its own methods of error detection and correction, and also incorporates the MNP 4 and 5 protocols. As a result, modems with MNP 4 and 5 and modems with V.42bis can connect with each other.

If you cannot connect to another modem, it may be because the protocol you are using is not compatible with the protocol of the modem on the other end. If you’re having trouble connecting to other modems, try following these guidelines.

- If you know what protocols are available on the modem you are connecting to, enable a protocol on your modem that is supported by the other modem. Usually V.42bis works best if both modems support it.
- If you frequently connect to bulletin boards, you should buy a modem software package that includes many different software protocols. Different bulletin boards use different protocols.

- Many network services have their own proprietary protocols. To connect to these services, you often have to buy the protocol from the service. Other network services rely on CCITT V.42bis or MNP 4 and 5.

Important:

All error detection and correction protocols compress data to avoid slowing the transmission rate. However, combining protocols will not increase your transmission speed or significantly reduce transmission errors. For example, running V.42bis and X-modem together will not give you a greater compression rate or transmission speed than running V.42bis alone. Use only one protocol.

Fax modems

Fax modems send and receive facsimiles and generally transmit and receive pictures better than data. In a fax machine, a page is “read” by a scanner and broken into a series of dots representing light and dark portions of the page. These dots compose the pictures, graphics, letters, and numbers printed by the fax machine.

Important:

The scan rate option in your fax software determines the size of a fax and how much time it takes to transmit the file.

The fax machine scans a page line-by-line and records the number and position of each dot in a scan line. This information is converted into a special code and transmitted to another computer or fax machine. This transmission uses a set of transfer and modulation specifications called protocols.

Fax machines and modems are connected in *Groups*. The modem in your computer works with all Group 3 and most Group 2 fax machines.

Choosing fax software applications

If your computer did not come with preinstalled fax software, you must buy a fax software application to operate your fax modem. Also, if you add a fax modem to your computer, you need to purchase fax software.

You send commands to a fax modem (or the fax portion of a data modem) using a revised version of the AT command set. This revised version includes two different sets of commands: *Class 1* and *Class 2*. Some modems support one class of command while others support both. When buying a fax software application, choose the highest class that your modem supports.

note:

CAS and SENDFAX are two other commonly used command sets. These command sets are not supported by the built-in modems in IBM Aptiva PCs.

- If your computer has a 2400 bps modem with 9600 bps send fax and 4800 receive fax capabilities, your modem supports Class 1 fax commands.
- If your computer has a 14,400 bps built-in modem with 14,400 send and receive fax capabilities, your modem supports Class 2 fax commands.

Communications settings

The built-in modems in IBM Aptiva PCs are preset to COM1 SERIAL PORT 1. The addresses and interrupts supported by your computer are:

	Address	Interrupt
COM1	03F8	IRQ 4
COM2	02F8	IRQ 3
COM3	03E8	IRQ 4
COM4	02E8	IRQ 3

The built-in external serial ports on the back of your computer support these addresses and interrupts.

Port	Address	Interrupt
Serial A	03F8	IRQ 4
	03E8	
Serial B	02F8	IRQ 3
	02E8	

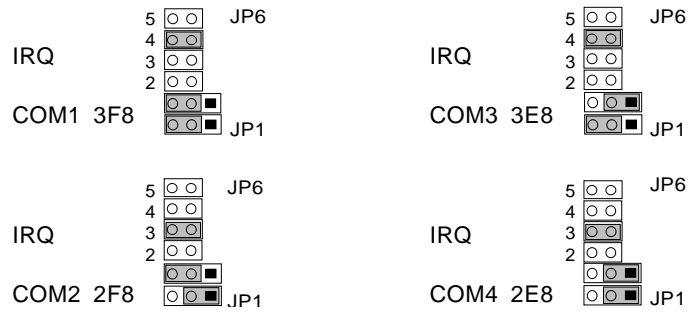
Conflicts may arise if you add adapter cards with serial ports or if you change the address settings on your modem. You can resolve most of these conflicts by using the Configuration Utility to change serial port addresses. See "Working with the Configuration Utility" on page 59 for more information.

Changing modem addresses

The modem address in your communications software must match the address setting on your modem. For example, if the modem address in the software is COM1 3F8, the DIP switches or jumpers on your modem must also be set for COM1 3F8. Help messages in your modem software will help you change your software address. The information below will help you set the DIP switches or jumpers on your modem correctly.

To change the hardware address settings on a built-in 14,400 bps data modem, locate the six DIP switches on the modem bracket on the back of the computer. Use the chart printed on the modem bracket to set the DIP switches for the correct address.

To change hardware address settings on a built-in 2400 bps data modem, you must reset jumpers on the modem. To access the modem jumpers, remove the cover from the computer. To remove the cover, see page 69. The illustration shows how you should set the jumpers for each address.



Modem commands

Table 3 lists the modem commands you are likely to use most often. The built-in modems are compatible with the Hayes AT command set. All commands in this table must be preceded by the letters AT unless otherwise indicated. Not all of the AT commands are listed here.

For example, locate Ds in the Code/Command column of Table 3. To tell your modem to dial a telephone number using touch-tone dialing, type ATDT followed by the telephone number and then press enter. The complete command might look like this: ATDT5554242. To dial the same telephone number using pulse dialing, you would type ATDP5554242. Spaces are not required in the commands unless otherwise indicated.

Table 3: Modem Commands

Code/Command	Function
AT	Begins the command line. The modem is ready to accept a command.
A/	Repeats the last command given, if it is not preceded by AT or followed by a carriage return.
A	Answers the call immediately.
Ds	The modem automatically dials a telephone number "s" where "s" is a complete telephone number. The command may also include the following codes: s=P Pulse dialing s=R Dial an "originate-only" modem s=T Touch-tone dialing s=, Pause while dialing s=@ Wait 30 seconds for a valid ringback followed by 5 seconds silence before next symbol s=; Return to command state after dialing s=! Go off-hook 0.5 seconds s=W Wait for dial tone
Ds=n	Dials one of four stored telephone numbers.
En	Sets Echo on/off n=0 Echo off n=1 Echo on

Table 3: Modem Commands (Continued)

Code/Command	Function
Hn	On/Off Hook n=0 On hook n=1 Off hook
Ln	Sets the volume of the speaker on the modem n=0 Low Volume n=1 Low Volume n=2 Medium volume n=3 High Volume
Mn	Controls when the modem speaker is in use n=0 Speaker Off n=1 Speaker is On except when receiving n=2 Speaker always On n=3 Speaker Off when dialing or receiving
On	Online n=0 Go online n=1 Retrain at 2400 bps
Qn	Sends result codes n=0 Result codes sent n=1 Result codes not sent
Vn	Determines whether the result code is sent in numbers or words. n=0 Result code is sent as numbers n=1 Result code is sent as words
Xn	Sets the type of Result code sent n=0 Basic Result code set (0 to 4) n=1 Extended result code set (0 to 5, and 10) n=2 Extended result code set (0 to 6, and 10) n=3 Extended result code set (0 to 7, and 10) n=4 The whole Result code is sent (0 to 10)

Table 3: Modem Commands (Continued)

Code/Command	Function
Z	Resets the modem to the defaults
Z0	Recalls modem profile 1
Z1	Recalls modem profile 2
&Zn=	Stores up to four telephone numbers in the modem's memory
&V	The modem answers with the active profile and the phone numbers stored in NVRAM
&W0	Saves the current register setting as profile 1
&W1	Saves the current register setting as profile 2
&F&W0&W1	Returns a modem profile to the original factory setting
+++	Escape sequence Return to command state
+FCLASS=?	Shows which class of fax commands the modem supports. If the modem answers: 0,1 it supports Class 1 commands 0,1,2 it supports Class 1 or Class 2 commands 0,2 it supports Class 2 commands

Modem return codes

The following table lists some codes that the modem sends to your computer in response to the commands you type. They are called return codes. Not all of the return codes are listed here.

The codes in this table are sent by the modem to your computer when you enter a modem command.

Table 4: Return Codes

Digit Code	Word Code	Meaning
0	OK	Command was carried out without error
1	Connect	Connected at 300 bits per second (bps)
2	Ring	Ringing signal detected
3	No carrier	Carrier is lost or not heard
4	Error	Error in the command line Invalid command Command line exceeds buffer Invalid character format
5	Connect 1200	Connected at 1200 bps
6	No dial tone	No dial tone during the time-out period
7	Busy	The line being called is busy
8	No answer	The line being called did not answer within the time-out period
10	Connect 2400	Connected at 2400 bps
	WORD FORM	Preceded and terminated by CR LF

S registers

S registers are information storage areas inside the modem. The AT command set uses the S registers to configure modem options. Some S registers have default settings. For normal modem operations, the default settings are usually adequate. However, special circumstances may require you to change some defaults. To change or read the value of an S register, begin the command with the letters AT. Not all of the S registers are listed here.

To read the value of an S register:

- Use the `ATSr?` command (r =register number 0-28).

For example, to read the value of S register 0, type `ATS0?` and press enter.

To change the value of an S register:

- Use the `ATSr=n` command (r =register number 0-28, n =the new value you want to assign).

For example, to change the value of S register 0 to 20 rings, type `ATS0=20` and press enter.

Table 5: S registers

Register	Function	Range/units	Default
S0	Auto-answer Ring	0-255 /rings	0
S1	Ring counter	0-255 /rings	0
S2	Escape code character	0-127 /ASCII	43
S3	Carriage return character	0-127 /ASCII	13
S4	Line feed character	0-127 /ASCII	10
S5	Backspace character	0-32, 127 /ASCII	8
S6	Dial tone wait time	0-255 /seconds	2
S7	Remote carrier wait time	1-255 /seconds	45
S8	Comma pause time	0-255 /seconds	2

Table 5: S registers (Continued)

Register	Function	Range/units	Default
S9	Carrier detect response time	0-255 /10ths of a second	6
S10	Carrier loss time	0-255 /10ths of a second	14
S11	Touch-tone dialing speed	50-255 /milliseconds	95
S12	Escape character detect time	0-25 /50ths of a second	50
S13	Reserved (Do not use)		None
S14	Echo, response, dialing, originate/answer	Bit-mapped register	None
S15	Reserved (Do not use)		None
S16	RDL, Clear-Down, Retrain Response	Bit-mapped register	None
S17	Reserved (Do not use)		None
S18	Modem test timer	0-255 /seconds	0
S19	Reserved (Do not use)		None
S20	Reserved (Do not use)		None
S21	Originate-only, line, DTR, DCD, DSR, and Long Space Disconnect	Bit-mapped register	None
S22	Speaker, M/B ratio and response	Bit-mapped register	None
S23	DTE data rate, parity, and guard tone	Bit-mapped register	None
S24	Reserved (Do not use)		None
S25	Data Terminal Ready delay	0-100 seconds	5
S26	RTS to CTS delay interval	0-255 /100ths of a second	1
S27	Async/Sync operation, clock source, DCE speed	Bit-mapped register	None
S28	Power-on connect, call-back security, CCITT/Bell mode		None

Modem regulations

FCC and telephone company requirements

If your IBM Aptiva Personal Computer has a built-in modem, the following Federal Communications Commission (FCC) and telephone company requirements apply:

1. The modem adapter card is located in the back of the system unit. It complies with Part 68 of the FCC rules. A label is affixed to the built-in modem that contains, among other things, the FCC registration number, USOC, and Ringer Equivalency Number (REN) for this equipment. If these numbers are requested, slide the top cover forward to see the label, and provide this information to your telephone company.
2. The REN is useful to determine the quantity of devices you may connect to your telephone line and still have those devices ring when your number is called. In most, but not all areas, the sum of the RENs of all devices should not exceed five (5.0). To be certain of the number of devices you may connect to your line, as determined by the REN, you should call your local telephone company to determine the maximum REN for your calling area.
3. If the built-in modem causes harm to the telephone network, the telephone company may discontinue your service temporarily. If possible, they will notify you in advance; if advance notice isn't practical, you will be notified as soon as possible. You will be advised of your right to file a complaint with the FCC.
4. Your telephone company may make changes in its facilities, equipment, operations, or procedures that could affect the proper operation of your equipment. If they do, you will be given advance notice so as to give you an opportunity to maintain uninterrupted service.
5. If you experience trouble with this built-in modem, contact your Authorized Seller, or the Product Support Center – Aptiva PC, IBM Corporation, Dept. BM3/Bldg. 201, Research Triangle Park, NC 27709-2195, 1-800-765-4747, Fax (919) 543-8716 for repair/warranty information. The telephone company may ask you to disconnect this equipment from the network until the problem has been corrected, or until you are sure the equipment is not malfunctioning.
6. No customer repairs are possible to the modem.
7. The modem may not be used on coin service provided by the telephone company. Connection to party lines is subject to state tariffs. Contact your state public utility commission or corporation commission for information.
8. When ordering network interface (NI) service from the Local Exchange Carrier, specify service arrangement USOC RJ11C.

Canadian Department of Communications compliance statement

This equipment does not exceed Class B limits per radio noise emissions for digital apparatus, set out in the Radio Interference Regulation of the Canadian Department of Communications.

Avis de conformité aux normes du Ministère des Communications du Canada

Cet équipement ne dépasse pas les limites de Classe B d'émission de bruits radioélectriques pour les appareils numériques, telles que prescrites par le Règlement sur le brouillage radioélectrique établi par le ministère des Communications du Canada.

Canadian Department of Communications certification label

Notice: The Canadian Department of Communications label identifies certified equipment. This certification means that the equipment meets certain telecommunications network protective, operational and safety requirements. The Department does not guarantee the equipment will operate to the user's satisfaction.

Before installing this equipment, users should ensure that it is permissible to be connected to the facilities of the local telecommunications company. The equipment must also be installed using an acceptable method of connection. In some cases, the company's inside wiring associated with a single line individual service may be extended by means of a certified connector assembly (telephone extension cord). The customer should be aware that compliance with the above conditions may not prevent degradation of service in some situations.

Repairs to certified equipment should be made by an authorized Canadian maintenance facility designated by the supplier. Any repairs or alterations made by the user to this equipment, or equipment malfunctions, may give the telecommunications company cause to request the user to disconnect the equipment.

Users should ensure for their own protection that the electrical ground connections of the power utility, telephone lines and internal water pipe system, if present, are connected together. This precaution may be particularly important in rural areas.

CAUTION:

Users should not attempt to make such connections themselves, but should contact the appropriate electric inspection authority, or electrician, as appropriate.

Étiquette d'homologation du Ministère des Communications du Canada

AVIS : L'étiquette du ministère des Communications du Canada identifie le matériel homologué. Cette étiquette certifie que le matériel est conforme à certaines normes de protection, d'exploitation et de sécurité des réseaux de télécommunications. Le ministère n'assure toutefois pas que le matériel fonctionnera à la satisfaction de l'utilisateur.

Avant d'installer ce matériel, l'utilisateur doit s'assurer qu'il est permis de le raccorder aux installations de l'entreprise locale de télécommunications. Le matériel doit également être installé en suivant une méthode acceptée de raccordement. L'abonné ne doit pas oublier qu'il est possible que la conformité aux conditions énoncées ci-dessus n'empêchent pas la dégradation du service dans certaines situations.

Les réparations de matériel homologué doivent être effectuées par un centre d'entretien canadien autorisé désigné par le fournisseur. La compagnie de télécommunications peut demander à l'utilisateur de débrancher un appareil à la suite de réparations ou de modifications effectuées par l'utilisateur ou à cause d'un mauvais fonctionnement.

Pour sa propre protection, l'utilisateur doit s'assurer que tous les fils de mise à la terre de la source d'énergie électrique, des lignes téléphoniques et des canalisations d'eau métalliques, s'il y en a, sont raccordés ensemble. Cette précaution est particulièrement importante dans les régions rurales.

CAUTION:

L'utilisateur ne doit pas tenter de faire ces raccordements lui-même, il doit avoir recours à un service d'inspection des installations électriques ou à un électricien, selon le cas.

LOAD NUMBER (LN)

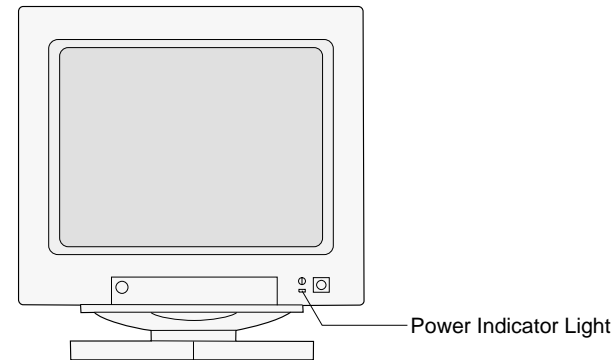
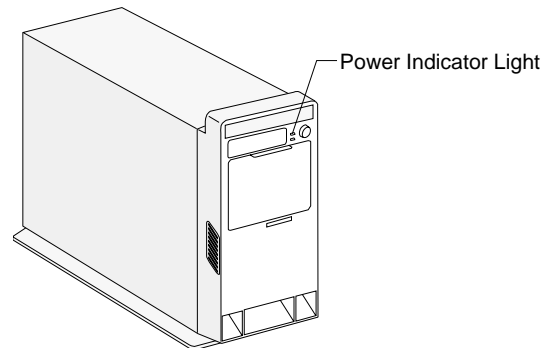
The load number (LN) assigned to each terminal device denotes the percentage of the total load to be connected to a telephone loop which is used by the device, to prevent overloading. The termination on a loop may consist of any combination of devices subject only to the requirement that the total of the load of all the devices does not exceed 100. The load number of the built-in modem is 10.

INDICE DE CHARGE (IC)

L'INDICE DE CHARGE (IC) assigné à chaque dispositif terminal indique, pour éviter toute surcharge, le pourcentage de la charge totale qui peut être raccordé à un circuit téléphonique bouclé utilisé par ce dispositif. L'extrémité du circuit bouclé peut consister en n'importe quelle combinaison de dispositifs pourvu que la somme des INDICES DE CHARGE de l'ensemble des dispositifs ne dépasse pas 100. L'indice de charge du modem intégré est de 10.

Problem solving steps

Step 1 Are the power indicator lights on the system unit and monitor lit?



Note: The locations of the power indicator lights may be different than those shown in these pictures.

Yes

Power is reaching the system unit and monitor. Go to Step 2.

No

- Press the on/off buttons on the system unit and monitor to make sure they are turned on.
- Make sure your system unit and monitor cables are correctly and securely connected. Make sure the system unit and monitor power cords are plugged into electrical outlets. Your *Read Me First* booklet shows how the cables should be connected.
- Make sure the electrical outlets you are using are not controlled by a wall or dimmer switch.
- If you are using a multiple outlet device (for example, a power surge protector or power strip), make sure it is plugged in and turned on.

If the problem continues, check your *Services and Support Guide* for information on obtaining service.

Step 2 Did the system unit beep after it was turned on?

Yes, more than once

There is a problem with the system unit.

- a. If an error code *is* displayed, find the code in “Error codes, descriptions, and corrective actions” on page 52 and take the action listed.
- b. If an error code *is not* displayed, check your *Services and Support Guide* for information on obtaining service.

Yes, once

The system unit has passed the power-on self test (POST). Go to Step 3.

No

There is a problem with the system unit.

- a. If you added hardware, remove it and restart the computer to see if the problem is corrected. For instructions on installing hardware in your system unit, see “Working with your system unit” on page 69. For instructions on installing options on your system board, see “Working with your system board” on page 85.
- b. Check that the processor and memory modules are correctly installed. For instructions, see “Working with your system board” on page 85.

If the problem continues, check your *Services and Support Guide* for information on obtaining service.

Step 3 Is anything displayed on the monitor?

Yes

There is a problem with the system unit if:

- A three or four digit error code appears. Look up the number in the error code table that begins on page 52.
- A blue box containing an error code and message appears. Follow the instructions in the message. For instructions on using the Configuration Utility, see page 59.
- A blinking cursor appears. Check your *Services and Support Guide* for information on obtaining service.
- The image on the screen is unreadable (the image is scrolling, blinking, or flashing). Follow these steps:
 - a. You may have selected a Monitor Frequency setting that your monitor does not support. Follow the steps under “Monitor Frequency” on page 10 to select another setting.
 - b. Disable the Power-on Password option in the Configuration Utility. Record any settings that you have changed (customized) from the default settings (for example, Monitor Frequency). You will have to re-enter these later. For instructions on using the Configuration Utility, see page 59.
 - c. Turn off the system unit. Reset your computer by holding down both mouse buttons while you turn on the system unit. Release the mouse buttons when something appears on your screen.

Note: Resetting your computer changes all of the settings in the Configuration Utility to the factory defaults. After resetting your computer, re-enter any customized settings in the Configuration Utility.

- The colors displayed are wrong. Check to make sure the monitor cable is correctly and securely connected to the system unit. Your *Read Me First* booklet shows how the cable should be connected.
- Nothing happens when you use the mouse or keyboard. Press the Ctrl + Alt + Delete keys at the same time to restart the computer.

If the problem you are having does not appear in this list, look for a description of the problem in the troubleshooting tables that begin on page 40.

No

There is a problem with the monitor.

- a. Make sure your monitor cables are correctly and securely connected. Your *Read Me First* booklet shows how the cables should be connected.
- b. Adjust the brightness and contrast controls. For instructions, see “Adjusting monitor controls” on page 4.

If the problem continues, check your *Services and Support Guide* for information on obtaining service.

Troubleshooting tables

Table 6: Troubleshooting: Hardware problems


If the problem is:	Here's what to do:
No beep during power-on self test (POST)	Make sure that the system unit is turned on.
Error code (and description), more than one beep in self-test, or continuous beep occurs	<p>If an error code:</p> <ul style="list-style-type: none"> • <i>Is displayed</i>, find the code in “Error codes, descriptions, and corrective actions” on page 52 and take the action listed. • <i>Is not displayed</i>, check your <i>Services and Support Guide</i> for information on obtaining service.
Computer turns off without warning	<ol style="list-style-type: none"> 1. If you have enabled the Standby feature, move the mouse to exit Standby. 2. If you have enabled the Rapid Resume feature and set up the Automatic Power Off option, or set the Scheduler feature to turn the system unit off, turn the system unit back on. 3. Make sure that the system unit and monitor power cords are securely plugged into electrical outlets. 4. Make sure that the cables are correctly and securely connected to the system unit. 5. Check for a blown fuse, tripped circuit breaker, or power failure. 6. Unplug the system unit power cord from the electrical outlet, wait 10 seconds, and then plug the power cord back into the electrical outlet. If the computer does not start immediately, push the on/off button on the system unit.
Can't enter password	<ol style="list-style-type: none"> 1. Make sure you are typing the correct password. 2. Make sure the keyboard cable is correctly and securely connected to the keyboard port (not the mouse port) on the back of the system unit. <p>The keyboard port has this symbol next to it to help you: </p> <ol style="list-style-type: none"> 3. If you have forgotten your password, check your <i>Services and Support Guide</i> for information on obtaining service.
<p>Note: If any of these problems continue, check your <i>Services and Support Guide</i> for information on obtaining service.</p>	

Table 6: Troubleshooting: Hardware problems (Continued)


If the problem is:	Here's what to do:
Can't read information on diskette or CD	<ol style="list-style-type: none"> 1. Make sure you are using the correct type of diskette. Make sure the diskette is formatted correctly. 2. Make sure the diskette or CD is inserted into the drive correctly. 3. Make sure the CD is clean and not scratched. 4. Try to read a diskette or CD that you know is good. If it works, the first diskette or CD is bad. If you can't read the information on the good diskette or CD, there may be a problem with your diskette or CD-ROM drive.
Can't send information (write) to diskette	<ol style="list-style-type: none"> 1. Make sure the diskette is formatted correctly. 2. Make sure the diskette is not write-protected. 3. Make sure you are sending information to the correct drive. 4. Make sure there is space on the diskette for the information. (Try using a blank, formatted diskette.)
Can't format diskette	<ol style="list-style-type: none"> 1. Make sure the diskette is not write-protected. 2. Make sure you are using the correct type of diskette.
Keyboard doesn't work or only some keys work	<ol style="list-style-type: none"> 1. Make sure the keyboard cable is correctly and securely connected to the keyboard port (not the mouse port) on the back of the system unit. <p>The keyboard port has this symbol next to it to help you: </p> <ol style="list-style-type: none"> 2. Move your fingers across the keys. Make sure no keys are stuck. 3. Make sure you are using a screen that allows typing. Some screens do not. 4. Turn the system unit off, wait 10 seconds, and then turn the system unit on again.
<p>Note: If any of these problems continue, check your <i>Services and Support Guide</i> for information on obtaining service.</p>	

Table 6: Troubleshooting: Hardware problems (Continued)


If the problem is:	Here's what to do:
Mouse does not move the cursor	<ol style="list-style-type: none"> 1. Move the mouse onto a mouse pad and try using it. 2. Make sure you are using a screen that allows the use of a mouse. Some screens do not. 3. Make sure the mouse cable is correctly and securely connected to the mouse port (not the keyboard port) on the back of the system unit. The mouse port has this symbol next to it to help you:  4. Clean the mouse. For instructions, select the Learning Library icon in Program Manager to see the <i>Computer Basics</i> tutorial that came on your system. 5. Turn the system unit off, wait 10 seconds, and then turn the system unit on again.
Modem/communications errors	<ol style="list-style-type: none"> 1. Make sure the telephone cord is securely plugged into the telephone outlet in the wall and into the system unit. Your <i>Read Me First</i> booklet shows how cables should be connected. 2. Make sure the telephone line works by plugging a telephone that works into the same telephone outlet that the computer was plugged into. Then make sure you can place a call. 3. Make sure you are calling the correct number, and that you are using the correct communications settings. For additional help, see the user's guide for your communications software. 4. Make sure no one is using the telephone while you are communicating with another computer. 5. If some communications programs work but not others, there may be a configuration problem. For additional help, see the user's guide for your communications software. 6. Make sure your modem cord is connected to an analog telephone line. For additional help, see "Modem information" on page 19. 7. Make sure the modem adapter card is installed correctly. For instructions on installing adapter cards, see "Working with your system unit" on page 69.
<p>Note: If any of these problems continue, check your <i>Services and Support Guide</i> for information on obtaining service.</p>	

Table 6: Troubleshooting: Hardware problems (Continued)

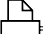
If the problem is:	Here's what to do:
<p>When the computer is turned on, a picture appears indicating a diskette should be inserted into drive A</p>	<ol style="list-style-type: none"> 1. Check Startup Sequence in the Configuration Utility. Make sure the Diskette and Hard Disk options are set to "Enabled". 2. Insert the Recovery diskette into drive A, and press F1. The Recovery diskette is the one that you were instructed to create in First Steps. Follow the instructions on your screen to restore the operating system files to your computer's hard disk. 3. If you are not able to restore the operating system files to your computer's hard disk or if you did not make a Recovery diskette, check your <i>Services and Support Guide</i> for information on obtaining service.
<p>Printer error</p>	<ol style="list-style-type: none"> 1. Make sure the printer cable is correctly and securely connected to the printer and to the parallel (printer) port on the back of the system unit. The printer port has this symbol next to it to help you:  2. Make sure the printer power cord is securely connected to an electrical outlet. 3. Make sure the printer is ready for printing. (If the Ready light is on, but not flashing, the printer is ready.) 4. Make sure the correct printer driver is selected in the software, if required. For instructions on selecting a printer driver, see "Installing a printer driver" on page 15. 5. Make sure the paper and the cartridge containing the print material (ink, ribbon, or toner) are loaded correctly. 6. Turn the printer and system unit off, and wait 10 seconds. Now turn the printer on <i>first</i>, and then the system unit. 7. Make sure the Parallel Port is not set to "Disabled" in the Configuration Utility. 8. Make sure Parallel Port Mode is set to "Compatible" in the Configuration Utility. 9. For additional help, see the user's guide that came with the printer.
<p>Note: If any of these problems continue, check your <i>Services and Support Guide</i> for information on obtaining service.</p>	

Table 7: Troubleshooting: Software problems

If the problem is:	Here's what to do:
Computer automatically turns off instead of entering Standby.	Make sure the Standby timer is set to a shorter period of time than the Automatic Power Off timer.
You hear 3 beeps when you turn the computer off.	Sometimes installing new software changes your AUTOEXEC.BAT file. If you installed new software, make sure the following line is still in the AUTOEXEC.BAT file, and "REM" does not appear at the beginning of the line: C:\PS1TOOLS\PS1PFILE
You turn on the computer to resume where you left off. When you enter Windows, the computer restarts on its own.	<ol style="list-style-type: none"> 1. EMM386 or an upper memory manager program may not be set up properly. Rename the CONFIG.SYS file in the Windows directory (do not delete it), and use the CONFIG.SYS file in the DOS directory by copying it to the Windows directory. 2. If you upgraded your processor, you may need to change the following line in the CONFIG.SYS file to make the values for "I=" and "X=" match these: DEVICE=C:\DOS\EMM386.EXE NOEMS I=E000-EEFF X=EF00- FEFF
Computer doesn't go into Standby or automatically power off when the set time has elapsed.	<ol style="list-style-type: none"> 1. If the computer does not automatically turn off, make sure the Automatic Power Off option is enabled in Rapid Resume or in the Configuration Utility. For instructions on using the Configuration Utility, see page 59. 2. Make sure you don't touch the mouse or keyboard, and don't start an application that involves using the hard disk, such as File Manager or a Windows screen saver. These activities make the timer start over.
Note: If any of these problems continue, check your <i>Services and Support Guide</i> for information on obtaining service.	

Table 7: Troubleshooting: Software problems (Continued)

If the problem is:	Here's what to do:
<p>POST error occurs when you turn on the computer to resume where you left off.</p>	<ol style="list-style-type: none"> 1. Turn the system unit off, wait 10 seconds, and then turn the system unit on again. 2. If you have changed your hardware (installed or removed an option), return it to its previous configuration. Try starting the computer again. If the error is corrected, save any work that you want to keep and disable Rapid Resume. Reinstall your hardware. For instructions on installing options in your system unit, see "Working with your system unit" on page 69. For instructions on installing options on your system board, see "Working with your system board" on page 85.
<p>The Rapid Resume Features screen does not appear in the Configuration Utility and the Rapid Resume Manager icon does not appear in Windows.</p>	<p>Check your <i>Services and Support Guide</i> for information on obtaining service.</p>
<p>Computer locks up when you turn it on.</p>	<p>If adapter cards are in the computer, make sure the Initialize Adapter Cards option in the Configuration Utility is set to "Reload Device Drivers".</p>
<p>When you turn the computer on, the Windows desktop is not as you left it when you turned the computer off.</p>	<ol style="list-style-type: none"> 1. Make sure another person hasn't used the computer and changed the Windows desktop. 2. Check that Rapid Resume is enabled. 3. If the Initialize Adapter Cards option in the Configuration Utility is set to "Reload Device Drivers", check that "RESUME.EXE" is in the AUTOEXEC.BAT file (make sure "REM" does not appear in front of "RESUME.EXE"). 4. If you are using Windows, check that the APM BIOS Mode option in the Configuration Utility is set to "32 Bit Protected". If you are using OS/2 2.1 or a later version, check that the APM BIOS Mode option in the Configuration Utility is set to "16 Bit Protected". 5. Check that "POWER.EXE" is in the CONFIG.SYS file (make sure "REM" does not appear in front of "POWER.EXE").
<p>Note: If any of these problems continue, check your <i>Services and Support Guide</i> for information on obtaining service.</p>	

Table 7: Troubleshooting: Software problems (Continued)

If the problem is:	Here's what to do:
<p>Computer turns off without saving information.</p>	<ol style="list-style-type: none"> 1. Check that Rapid Resume is enabled. 2. If you are using Windows, check that the APM BIOS Mode option in the Configuration Utility is set to "32 Bit Protected". If you are using OS/2 2.1 or a later version, check that the APM BIOS Mode option in the Configuration Utility is set to "16 Bit Protected". 3. Check that "POWER.EXE" is in the CONFIG.SYS file. 4. EMM386 or an upper memory manager program may not be set up properly. Rename the CONFIG.SYS file in the Windows directory (do not delete it), and use the CONFIG.SYS file in the DOS directory by copying it to the Windows directory. 5. If you upgraded your processor, you may need to change the following line in the CONFIG.SYS file to make the values for "I=" and "X=" match these: DEVICE=C:\DOS\EMM386.EXE NOEMS I=E000-EEFF X=EF00-FFFF
<p>You pressed the on/off button on the system unit, but the computer has not turned off after 5 minutes.</p>	<p>Check your <i>Services and Support Guide</i> for information on obtaining service.</p>
<p>Application is not active when you turn the computer on to resume working.</p>	<ol style="list-style-type: none"> 1. Restart the application. Some applications will not operate correctly with Rapid Resume. 2. If adapter cards are in the computer, make sure the Initialize Adapter Cards option in the Configuration Utility is set to "Reload Device Drivers".
<p>Adapter cards don't work after you turn the computer on to resume working.</p>	<p>Make sure the Initialize Adapter Cards option in the Configuration Utility is set to "Reload Device Drivers". Some adapter cards do not operate correctly with Rapid Resume.</p>
<p>Computer turns off or screen goes blank during activity (for example, when using a joystick or printing).</p>	<ol style="list-style-type: none"> 1. Press the on/off button. 2. Increase the Automatic Power Off time. 3. Disable Rapid Resume and Standby during long periods of activity such as joystick use or printing.
<p>Note: If any of these problems continue, check your <i>Services and Support Guide</i> for information on obtaining service.</p>	

Table 7: Troubleshooting: Software problems (Continued)

If the problem is:	Here's what to do:
You added hardware or installed new software and you want to cancel Rapid Resume and restart the computer.	Press Ctrl + Alt + Delete when you see the Rapid Resume screen. There may be a slight delay before the computer restarts.
Problems using or connecting to networks after turning on the computer to resume working where you left off.	<ol style="list-style-type: none"> 1. Try reconnecting to your network drives. 2. Make sure network drivers, network start commands, and other network commands come before "RESUME.EXE" in the AUTOEXEC.BAT file. 3. Log off the network before turning off the computer. 4. Use the Standby feature for energy savings instead of Rapid Resume.
Computer shuts off without pressing the on/off button.	<ol style="list-style-type: none"> 1. Check the Scheduler feature in Rapid Resume Manager to see if it is set to turn the computer off. 2. Check to see if the Automatic Power Off feature is enabled in the Configuration Utility. For instructions on using the Configuration Utility, see page 59.
You set the computer to start when the phone rings in order to receive a fax, but it receives a regular phone call instead.	<p>Either disable the Wake Up on Ring feature in Rapid Resume Manager or the Configuration Utility, or disable the Auto Answer feature in your fax software. For instructions on using the Configuration Utility, see page 59.</p> <p>You can also purchase a telephone line sharing device, which will direct calls where you specify (to either an answering machine or a fax modem).</p>
The phone rings and the computer turns on, but a fax isn't received.	See the documentation that came with your fax software to make sure it is set up to answer the phone. You may also need to increase the number of rings required before the software answers the telephone.
A power failure occurred, and the last state of the computer was not saved.	Enable the Standby Snapshot option in Rapid Resume Manager or in the Configuration Utility to help prevent this from occurring again. For instructions on using the Configuration Utility, see page 59.
Note: If any of these problems continue, check your <i>Services and Support Guide</i> for information on obtaining service.	

Table 7: Troubleshooting: Software problems (Continued)

If the problem is:	Here's what to do:
<p>An error code appears after you turn your computer on using Rapid Resume.</p>	<p>If you do not have any work that you want to save, press Enter to continue. If you have work that you want to save:</p> <ol style="list-style-type: none"> 1. Turn the computer off. 2. If you have: <ul style="list-style-type: none"> • <i>Not changed</i> your hardware, find the error code in "Error codes, descriptions, and corrective actions" on page 52 and follow the suggested actions. • <i>Changed</i> your hardware (installed or removed an option), return it to its previous configuration. Then wait 10 seconds and turn the computer on. If the error does not occur again, save any work that you want to keep.
<p>Note: If any of these problems continue, check your <i>Services and Support Guide</i> for information on obtaining service.</p>	

Table 8: Troubleshooting: Monitor problems

If the problem is:	Here's what to do:
Discolored screen	<ol style="list-style-type: none"> 1. Move the monitor away from any equipment that might cause magnetic interference; for example, other monitors, audio speakers, or microphones. (Some models of the computer come with microphones and speakers, which are shielded to prevent magnetic interference.) Turn the monitor off, wait 30 minutes, and then turn the monitor on again. 2. Select a new video device driver.
Picture shape on monitor screen is poor	Adjust the monitor controls. For instructions, see "Adjusting monitor controls" on page 4 if you are using a monitor that came packaged with your system unit. If you are using a monitor that you purchased separately, see the documentation that came with the monitor.
White screen	<ol style="list-style-type: none"> 1. Make sure the monitor cable is correctly and securely connected to the system unit. 2. Make sure the system unit and monitor power cords are securely plugged into electrical outlets. 3. Make sure the system unit and monitor are turned on. 4. If available, connect another monitor to your system unit. If the problem is corrected, something may be wrong with your monitor.
Flickering or unsteady picture on monitor screen	<ol style="list-style-type: none"> 1. Select lower resolution and color settings in Display Select. 2. If your monitor is located close to another monitor, move them farther apart. 3. Change the video device driver in your software application.
Screen is an intense yellow, magenta (purple or red-blue), or cyan (blue-green) color	Check your <i>Services and Support Guide</i> for information on obtaining service.
Adjustments from earlier use were not saved	<ol style="list-style-type: none"> 1. Use the monitor controls to adjust the image for the display mode you are using. 2. You may have selected more user definable modes than the monitor can save. When this occurs, the newest mode replaces the oldest mode.
Image control indicator lights on the monitor flash consecutively	Make sure the monitor cable is correctly and securely connected to the system unit.
Note: If any of these problems continue, check your <i>Services and Support Guide</i> for information on obtaining service.	

Table 8: Troubleshooting: Monitor problems (Continued)

If the problem is:	Here's what to do:
<p>Any of the following:</p> <ul style="list-style-type: none"> • Totally blank screen • No cursor displayed • Only the cursor is displayed • Screen is unreadable • Other monitor problems 	<ol style="list-style-type: none"> 1. Make sure the monitor cable is correctly and securely connected to the system unit. 2. Make sure the system unit and monitor power cords are securely plugged into electrical outlets. 3. Make sure the system unit and monitor are turned on. (The power indicator lights on the system unit and the monitor are lit when they are on.) 4. Adjust the monitor controls. 5. Change the background colors in your software application or try using a different software application. 6. If you have enabled the Standby feature, press any key or move the mouse to return to exit Standby. 7. If you have enabled the Rapid Resume feature and set up the Automatic Power Off option, turn the system unit back on. 8. Unplug the system unit power cord from the electrical outlet, wait 10 seconds, and then plug the power cord back into the electrical outlet. If the computer does not start immediately, push the on/off button on the system unit.
<p>Note: If any of these problems continue, check your <i>Services and Support Guide</i> for information on obtaining service.</p>	

Table 9: Troubleshooting: Multimedia component problems

If the problem is:	Here's what to do:
Windows "Drive Not Ready" message appears	<ol style="list-style-type: none"> 1. If you are using a CD, make sure the CD is properly inserted into the CD-ROM drive. Wait for the Busy light to go out, and then click on the Retry button in the Windows box. 2. If you are using a diskette, make sure the diskette is properly inserted into the diskette drive. Wait for the Busy light to go out, and then click on the Retry button in the Windows box. 3. Remove and inspect the CD. Clean it if necessary.
CD-ROM does not play	Check that the side of the CD with the label is facing up in the tray.
No sound comes out of the speakers	<ol style="list-style-type: none"> 1. Check that all speaker connections are correct and secure. For instructions, see the <i>Read Me First</i> booklet. 2. Check that the speakers are turned on. 3. Check that the speaker volume control is not set at the minimum setting. 4. Check that the AC adapter is correctly connected and securely plugged into an electrical outlet. 5. Check that the speaker batteries are good. 6. Check the volume settings in the application you are using (if present). 7. Check the volume settings in the sound card mixer application, if in use.
CD-ROM drive "skips" or plays music erratically	<ol style="list-style-type: none"> 1. Remove and inspect the disc. Clean the disc if necessary. 2. Check to see if there is something causing the computer to vibrate which may lead to "skipping" of data.
No sound comes out of the headphones	<ol style="list-style-type: none"> 1. Check that the headphone connection is correct. For an audio CD, use the headphone jack on the CD-ROM drive, if provided. For multimedia applications, use the audio output jack on the sound card. For more information, see "Controlling the volume on multimedia systems" on page 17. 2. If you are using the headphone jack on the front of the CD-ROM drive, adjust the volume control located on the CD-ROM drive. 3. Check the volume settings in the application you are running (if present). 4. Check the volume settings in the sound card mixer application, if in use.
Note: If any of these problems continue, check your <i>Services and Support Guide</i> for information on obtaining service.	

Error codes, descriptions, and corrective actions table

Table 10: Error codes, descriptions, and corrective actions

Error Code	Description	Here's what to do:
101 102 103 104 105 106	System Board Error	Turn the system unit off, wait 10 seconds, and then turn the system unit on again.
107	System Board Error/Memory Error	<ol style="list-style-type: none"> 1. A memory module (SIMM) has failed. Make sure SIMMs are inserted correctly. For instructions on inserting SIMMs, see "Installing and removing memory modules" on page 93. 2. Turn the system unit off, wait 10 seconds, and then turn the system unit on again.
108	System Board Error	Turn the system unit off, wait 10 seconds, and then turn the system unit on again.
110	System Board Parity Error	<ol style="list-style-type: none"> 1. A memory module (SIMM) has failed. Make sure SIMMs are inserted correctly. For instructions on inserting SIMMs, see "Installing and removing memory modules" on page 93. 2. Turn the system unit off, wait 10 seconds, and then turn the system unit on again.
111 114	I/O Channel Parity Error Adapter ROM Error	<ol style="list-style-type: none"> 1. Make sure all adapter cards are installed correctly. For instructions on installing adapter cards, see "Working with your system unit" on page 69. 2. Turn the system unit off, wait 10 seconds, and then turn the system unit on again.
<p>Notes:</p> <ol style="list-style-type: none"> 1. An X shown as part of the error code in this table represents any number between 0 and 9. 2. If any of these errors continue, check your <i>Services and Support Guide</i> for information on obtaining service. 		

Table 10: Error codes, descriptions, and corrective actions (Continued)

Error Code	Description	Here's what to do:
161	Bad CMOS Battery	Make sure the battery is installed correctly. If the error continues, install a new battery. For instructions on installing the battery, see "Replacing the battery" on page 96.
162	Configuration Error	<p>If you are using Rapid Resume, and you do not have any work that you want to save, press Enter to continue. If you have work that you want to save:</p> <ol style="list-style-type: none"> 1. Turn the system unit off. 2. If you have: <ul style="list-style-type: none"> • <i>Not changed</i> your hardware, press Enter to go into the Configuration Utility. Press Escape, and then press Enter. The error should not reoccur. • <i>Changed</i> your hardware (installed or removed an option), return the computer to its previous configuration. Then wait 10 seconds and turn the system unit on. If the error does not occur again, save any work that you want to keep and reinstall your hardware. If the error occurs again, check your <i>Services and Support Guide</i> for information on obtaining service. <p>If you are <i>not</i> using Rapid Resume, or you have saved your work:</p> <ol style="list-style-type: none"> 1. Press Enter while the error message is displayed to start the Configuration Utility. Verify that the options with ► next to them were supposed to change. If so, press Esc, then press Enter to save the configuration. If options changed that were not supposed to, check your <i>Services and Support Guide</i> for information on obtaining service. 2. Turn the system unit off, wait 10 seconds, and then turn the system unit on again. If the error occurs again, check your <i>Services and Support Guide</i> for information on obtaining service.
<p>Notes:</p> <ol style="list-style-type: none"> 1. An X shown as part of the error code in this table represents any number between 0 and 9. 2. If any of these errors continue, check your <i>Services and Support Guide</i> for information on obtaining service. 		

Table 10: Error codes, descriptions, and corrective actions (Continued)

Error Code	Description	Here's what to do:
163	Date and Time Incorrect	The clock module on the system board may not be set correctly. To set the correct date and time, press Enter while the error message is displayed to use the Configuration Utility. For instructions on using the Configuration Utility, see page 59.
164	Memory Size Error	<ol style="list-style-type: none"> 1. If you added memory after Rapid Resume turned the computer off, press Enter while the error message is displayed to enter the Configuration Utility. Press Escape, and then press Enter. You will lose any data that you did not save before the computer turned off. 2. If you have removed memory from your computer, press Enter while the error message is displayed to make sure the new memory size is correct on the Configuration Utility screen. For instructions on using the Configuration Utility, see page 59. If you have not removed memory from your computer, check your <i>Services and Support Guide</i> for information on obtaining service.
20X	Memory Error	Make sure memory modules (SIMMs) are inserted correctly and completely. For instructions on inserting SIMMs, see "Installing and removing memory modules" on page 93.
262	Memory Parity Configuration Error	If you added non-parity memory modules to your computer, press Enter while the error message is displayed to make sure the new memory size is correct in the Configuration Utility. For instructions on using the Configuration Utility, see page 59.
<p>Notes:</p> <ol style="list-style-type: none"> 1. An X shown as part of the error code in this table represents any number between 0 and 9. 2. If any of these errors continue, check your <i>Services and Support Guide</i> for information on obtaining service. 		

Table 10: Error codes, descriptions, and corrective actions (Continued)



Error Code	Description	Here's what to do:
30X	Keyboard Error	<p>1. Make sure the keyboard and mouse cables are correctly and securely connected to the ports on the back of the system unit. The keyboard port has this symbol next to it to help you:</p>  <p>The mouse port has this symbol next to it to help you: </p> <p>2. Make sure that a key on the keyboard or a mouse button is not being held down.</p>
662	Diskette Drive Configuration Error	If you removed a diskette drive, press Enter while the error message is displayed to make sure the Diskette Drive setting is correct in the Configuration Utility. If the setting is not correct, change the setting. For instructions on using the Configuration Utility, see page 59.
762	Math Coprocessor Configuration Error	If you changed your processor, press Enter while the error message is displayed to make sure the Math Coprocessor setting is correct in the Configuration Utility. If the setting is not correct, change the setting. For instructions on using the Configuration Utility, see page 59.
962	Parallel Port Configuration Error	If you changed a hardware option, press Enter while the error message is displayed to make sure the Parallel Port setting is correct in the Configuration Utility. If the setting is not correct, change the setting. For instructions on using the Configuration Utility, see page 59.
1101	Serial Port Error	Turn the system unit off, wait 10 seconds, and then turn the system unit on again.
<p>Notes:</p> <p>1. An X shown as part of the error code in this table represents any number between 0 and 9.</p> <p>2. If any of these errors continue, check your <i>Services and Support Guide</i> for information on obtaining service.</p>		



Table 10: Error codes, descriptions, and corrective actions (Continued)

Error Code	Description	Here's what to do:
1162	Serial Port Configuration Error	If you changed a hardware option, press Enter while the error message is displayed to make sure the Serial Port setting is correct in the Configuration Utility. If the setting is not correct, change the setting. For instructions on using the Configuration Utility, see page 59.
1762	Hard Disk Configuration Error	<ol style="list-style-type: none"> 1. Make sure the cables to all drives are securely attached. 2. Press Enter while the error message is displayed to make sure the settings for the drive options are correct in the Configuration Utility. If the settings are not correct, change them. For instructions on using the Configuration Utility, see page 59.
1780/1790 1781/1791	Drive 1 (Hard Disk) Error Drive 2 (Hard Disk) Error	<ol style="list-style-type: none"> 1. Make sure the cables to all drives are securely attached. 2. Press Enter while the error message is displayed to make sure the Processor option's speed setting is correct in the Configuration Utility. (Find the processor speed [in MHz] on the label attached to the front of your system unit.) If the setting is not correct, check your <i>Services and Support Guide</i> for information on obtaining service. 3. Make sure the hard disk signal cable is attached to the correct connector on the system board and the jumper settings on the drive are correct. For information about drive connectors and settings, see "Installing additional drives" on page 77.
1782/1792 1783/1793	Drive 3 (Hard Disk) Error Drive 4 (Hard Disk) Error	<ol style="list-style-type: none"> 1. Make sure the cables to all hard disk drives are securely attached. 2. Make sure the hard disk signal cable is attached to the correct connector on the system board and the jumper settings on the hard disk are correct. For information about drive connectors and settings, see "Installing additional drives" on page 77.
<p>Notes:</p> <ol style="list-style-type: none"> 1. An X shown as part of the error code in this table represents any number between 0 and 9. 2. If any of these errors continue, check your <i>Services and Support Guide</i> for information on obtaining service. 		

Table 10: Error codes, descriptions, and corrective actions (Continued)

Error Code	Description	Here's what to do:
1962	Boot Sequence Error	<ol style="list-style-type: none"> 1. Press Enter while the error message is displayed to make sure the Adapter Card option is set correctly in the Configuration Utility. If the setting is not correct, change the setting. For instructions on using the Configuration Utility, see page 59. 2. Make sure all adapter cards are installed correctly. For instructions on installing adapter cards, see page 73.
2401	Video Error	<ol style="list-style-type: none"> 1. Make sure the monitor cables are correctly and securely connected to the system unit. 2. If a video adapter card is installed, make sure it is inserted correctly. For instructions on installing a video adapter card, see page 74. 3. If the error continues, remove the video adapter card. If removing the card corrects the error, replace the card with a new one.
2462	Video Configuration Error	<ol style="list-style-type: none"> 1. Make sure the monitor cables are correctly and securely connected to the system unit. 2. If a video adapter card is installed, press Enter while the error message is displayed to enter the Configuration Utility. Press Esc, then press Enter to exit the Configuration Utility and save the new configuration. 3. Press Enter while the error message is displayed to make sure the settings for the Video Controller, Video Memory, and Monitor Frequency options are correct in the Configuration Utility. For instructions on using the Configuration Utility, see page 59.
<p>Notes:</p> <ol style="list-style-type: none"> 1. An X shown as part of the error code in this table represents any number between 0 and 9. 2. If any of these errors continue, check your <i>Services and Support Guide</i> for information on obtaining service. 		

Table 10: Error codes, descriptions, and corrective actions (Continued)

Error Code	Description	Here's what to do:
5962	CD-ROM Configuration Error	<p>1. Check that all drive cables are correctly and securely connected.</p> <p>2. If you added, removed, or moved any drives in your system unit, press Enter while the error message is displayed to enter the Configuration Utility. Verify that only the options for the drives you changed have ► next to them. Press Esc, then press Enter to exit the Configuration Utility and save the new configuration.</p> <p>If options changed that were not supposed to, check your <i>Services and Support Guide</i> for information on obtaining service.</p>
860X	Pointing Device Error	<p>1. Make sure the keyboard and mouse cables are correctly and securely connected to the ports on the back of the system unit. The keyboard port has this symbol next to it to help you:</p> <p style="text-align: center;"></p> <p>The mouse port has this symbol next to it to help you: </p> <p>2. Make sure that a key on the keyboard is not being held down.</p>
<p>Notes:</p> <p>1. An X shown as part of the error code in this table represents any number between 0 and 9.</p> <p>2. If any of these errors continue, check your <i>Services and Support Guide</i> for information on obtaining service.</p>		

Working with the Configuration Utility 5

Using the Configuration Utility

The Configuration Utility lets you view and change important information about your computer and its hardware. You may need to use the Configuration Utility in these situations:

- If you add or replace a hardware option (such as a diskette drive, memory module, math coprocessor, or monitor), and you want to verify or make a change.
- To verify a change after removing a hardware option.
- If you get an error code and message.

You can also use the Configuration Utility to:

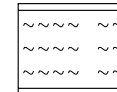
- Check the computer's hardware features. For example, you can use this program to check the amount of memory or the size of the hard disk in your computer.
- Change the computer's serial and parallel port settings, and the parallel port mode.
- Set up or change a password on your computer.
- Change the date and time on your computer
- Reduce the amount of energy your computer uses by setting up the computer's Rapid Resume features.

Starting the Configuration Utility

The Configuration Utility displays screens that let you *view* information about how your computer is set up (called the *configuration*), or *change* certain information on your computer.

There are two ways to display the Configuration Utility screen:

- If you have an error, your computer shows a *popup window* with an error code and description. Press Enter to get the Configuration Utility screen.
- When you turn your computer on, this symbol appears:



Press F1 while the symbol is displayed to get the Configuration Utility screen.

The Configuration Utility screens display the type of information shown here. The actual screens on your computer may look slightly different, but they operate the same way.

Here are the keys you use to move through and make changes to the Configuration Utility screens.

Keys	Function
↑ ↓	Use these arrow keys to highlight an option.
← →	Use these arrow keys to make a selection and change an option.
F1	Press this key if you want more information about an option or general information on using the screen.
F2	Press this key if you want more information about your computer's energy-saving Rapid Resume feature.
Page Down	Press this key to see the next page (screen).
Page Up	Press this key to go to the previous page (screen).

- Brackets [] show you which options can be changed on the screen.
- The ► symbol on the screen shows you that an option has been changed.

Now that you know how to work with the Configuration Utility screens, read the rest of this chapter to learn about the options you can change on the screen.

The image shows three screenshots of the Configuration Utility screens, labeled Page 1 of 4, Page 2 of 4, and Page 3 of 4. Annotations explain various elements:

- Page 1 of 4:** Shows system information like Processor (80486DX2), BIOS Date (05/02/94), Memory (7808 KB), Video Controller (CL-GD5434), and Drives. Brackets indicate that options like [Enabled], [128 KB], [Undefined], [424 MB Hard Disk], and [Not Installed] can be changed.
- Page 2 of 4:** Shows options like Diskette Drive A/B, Serial Port A/B, Parallel Port, Mouse, Keyboard Speed, Keyboard NumLock, Power-on Password, Date, and Time. An arrow points to the Serial Port B option, indicating it has been changed (shown with a ► symbol).
- Page 3 of 4:** Shows Rapid Resume Features, Standby, Wake Up on Ring, and Wake Up on Alarm. A note indicates that pressing Page Down moves to the next screen.
- Annotations:**
 - "Indicates current page" points to the page number in the top right.
 - "Brackets indicate that this option can be changed" points to various options in brackets.
 - "Arrow indicates that this option has been changed" points to the ► symbol next to Serial Port B.
 - "Press Page Down key for next screen" points to the bottom right of the screen.
 - "Use these keys" points to a legend at the bottom of the screen.

Legend:
 Use ↑ and ↓ to highlight an option.
 Use ← and → to make a selection.
 F1 = Help Page Up = Previous Page Down = Next Esc = Save/Exit

Making changes with the Configuration Utility

You can only change some of the information that appears on the Configuration Utility screen. The information you can change is always enclosed in brackets like this: []. The entries on your screen that you can't change provide useful information about your computer and its hardware. For example, if the mouse is not working or installed incorrectly, the entry will show if it is disabled or not installed.

Here are the options you can change on the Configuration Utility screens:

Internal Cache. This option shows the amount of internal cache memory on your computer's system board. You cannot add internal cache memory to your computer.

Cache memory is special buffer storage that holds frequently used instructions and data, and works faster than main storage. With cache memory installed, your applications and programs run faster. You can disable cache memory to slow down your computer.

Monitor Frequency. This option lets you change the monitor frequency. If you attach a monitor to your computer that did not come boxed with your system, you must select the correct monitor frequency on the Configuration Utility screen. This monitor frequency setting affects the monitor's *refresh rate*; that is, the rate at which the monitor redraws the image on the screen. Super VGA (SVGA) and multifrequency monitors can refresh text and images faster than other types of monitors. For more information on monitors and setting the

monitor frequency, see "Setting up and using a monitor" on page 3.

Drive 2. This option indicates whether a second drive has been connected to the Local Bus connector on the system board.

note:

Drive 1 on the Configuration Utility screen is the hard disk that came with your computer. Drive 1 is attached to the Local Bus connector on the system board.

If you are adding a second IDE hard disk to your system, it must also be connected to the Local Bus connector. For more information, see page 77.

Drive 4. This option indicates whether a drive has been attached to the ISA Bus connector on the system board. If both a CD-ROM and a hard disk are connected to the ISA Bus connector, the jumpers on the hard disk must be set for master mode for it to appear as Drive 3 on the Configuration Utility screen. The CD-ROM must be set as the slave device. It will appear as Drive 4 on the screen.

If a hard disk is the only drive attached to the ISA Bus connector, it appears as Drive 3 on the Configuration Utility screen. If two hard disks are attached to the this connector, they appear as Drives 3 and 4 on the screen. For more information on adding hard drives to your computer, see page 77.

Diskette Drive (A: or B:). This option shows you an entry for each diskette drive on your computer. If you add or change a diskette drive, you must select the correct diskette drive type on the Configuration Utility screen.

Serial Port. This option lets you change the serial port addresses. Your computer has either one or two serial ports. Each serial port has a special *address* (identifying location) assigned to it. If you add adapter cards to your computer that have additional serial ports, you must make sure that each serial port has a different address.

Serial port A can only be set as address 3F8-IRQ4 or 3E8-IRQ4. Serial port B can only be set as address 2F8-IRQ3 or 2E8-IRQ3. If you change serial port addresses on the Configuration Utility screen, you may also need to make changes to your software. For instructions on changing your software, see the user's guide or online information that came with the software.

Parallel Port. This option lets you change the parallel port address. Your computer has one parallel port with a special address (identifying location) assigned to it. If you add adapter cards to your computer that have additional parallel ports, you must make sure that each parallel port has a different address.

If you change parallel port addresses on the Configuration Utility screen, you may also need to make changes to your software. For instructions on changing your software, see the user's guide or online information that came with your software.

Parallel Port Mode. This option lets you change the mode of the parallel port. The standard mode for the parallel port is the Compatible mode.

Power-on Password. This option lets you create a *power-on password* to restrict the use of your computer. Each time the computer is turned on, you must enter this password *before* you can use the computer.

A password can be up to seven characters long (letters, numbers, or both). Once you create your password, *be sure to write it down and put it in a secure place.*

Date and Time. These options let you change the date and time on your computer. Your changes take effect immediately.

Type the date in the format shown on the screen. Type the time in 24-hour format. For example:

- 12 midnight is 00:00
- 12 noon is 12:00
- 1 p.m. is 13:00

Rapid Resume options

Page 3 of the Configuration Utility contains the Rapid Resume options. *Rapid Resume* is an exclusive IBM energy-saving feature with many useful options. Rapid Resume can:

- Save the current state of your computer when you turn it off. Any applications or programs open when the computer is turned off will be open when the computer is turned back on.
- Automatically turn off your computer when you have not used the mouse, keyboard, or hard disk for an amount of time you select. If you have an energy-saving monitor, it will also turn off.

- Put your computer in a *Standby* mode to conserve energy when you have not used the mouse, keyboard, or hard disk for an amount of time you select.
- Reduce the time your computer takes to start up.
- Automatically turn on your computer when the phone rings so that your computer can receive a fax.
- Automatically turn on your computer at a date and time you choose.

Here are the Rapid Resume options you can change:

APM BIOS Mode. The Basic Input/Output System (*BIOS*) is the machine language that runs your computer. The APM BIOS Mode option shows you the advanced power management (APM) mode that your operating system's APM driver should use when it communicates with BIOS.

note: | *If you are using the OS/2 operating system, select 16 Bit Protected for the APM BIOS Mode.*

Rapid Resume. This option lets you turn Rapid Resume on (enabled) or off (disabled).

Automatic Power Off. If you are using the Rapid Resume feature, this option lets you set the amount of time that will pass before your computer turns off automatically. For example: 30 minutes means that if the mouse, keyboard, or hard disk are not used for 30 minutes, the computer turns off automatically.

note: | *Only energy-saving monitors will turn off automatically with Rapid Resume.*

The current state of the computer is saved before the computer turns off. Any applications or programs open

when the computer powers off will be open when you turn the computer back on.

Initialize Adapter Cards. If you are using the Rapid Resume feature, this option indicates whether your adapter cards will be restarted (initialized) when you turn on your computer.

Standby. This option lets you set the amount of time that will pass before your computer starts conserving energy. For example: 15 minutes means that if the mouse, keyboard, or hard disk are not used for 15 minutes, your display goes blank and the hard disk in your computer starts using less power.

note: | *Only energy-saving monitors power down during Standby.*

If you are using the Automatic Power Off feature, the time you set for Standby must be less than the time you set for Automatic Power Off. Otherwise, your computer will turn off before it enters Standby.

Standby Snapshot. This option lets you have the state of your computer saved when it enters Standby. If the electricity goes out or your computer is turned off while in Standby, the computer resumes at the saved state when you turn it back on. Any applications or programs open when the computer turned off will be open when the power returns.

Monitor Mode. This option may or may not appear depending on the type of processor installed in your computer. If you see this option, you can change the power mode used to blank the monitor during Standby.

If you have an energy-saving monitor, the VESA DPMS setting turns the monitor back on fastest.

note: *Only energy-saving monitors will power down during Standby.*

Halt CPU when Idle. This option lets you halt the CPU during Standby. This conserves power without affecting the operation of your computer.

Wake Up on Ring. This option lets you have the computer turn on automatically when the phone rings. This is useful if you have a fax modem and use your computer to receive faxes.

note: *With Wake Up on Ring, your computer may turn on automatically when you dial out on a rotary or pulse telephone. If this occurs, disable the Wake Up on Ring feature and use it only when you know you will have incoming fax communications. You can also prevent this from occurring by installing a telephone line sharing device which will direct calls where you specify (to either an answering machine or a fax modem).*

Indicator. If you are using the Wake Up on Ring feature, and you enable the Indicator option, the power light will blink to indicate the computer turned itself on to answer the phone. The Indicator resets when you turn the computer on.

Wake Up on Alarm. This option allows the computer to turn on automatically at a date and time you specify. Choose the date and time in the Alarm Date and Alarm Time fields. If you select Daily Event, you can set the Alarm Time, but not the Date.

Alarm Date and Time. If you are using the Wake up on Alarm feature, these options let you set the date and time you want the computer to turn on automatically. Enter the date in the format shown on the screen.

Type the time in 24-hour format. For example:

- 12 midnight is 00:00
- 12 noon is 12:00
- 1 p.m. is 13:00

Advanced Configuration Utility options

Page 4 of the Configuration Utility includes Startup Sequence and other advanced options.

Startup Sequence. When you turn your computer on, it looks for the operating system files. Use the Startup Sequence option to tell your computer where to look for these files. The computer can search for these files on a diskette, an adapter card, a network, or a hard disk.

Power Switch. If you see this option, and your computer is plugged into a power strip, choose the Power Strip setting to turn your computer on from the switch on the power strip. Choose the On/Off setting to turn the computer on from the on/off button on your computer. If you are using Rapid Resume, you should choose the On/Off setting.

Disk BIOS Translation. This option lets your computer use IDE hard disks larger than 528 MB with most operating systems.

note: *You may need to disable this option if you are using Novell Netware** with IDE hard disks larger than 528 MB.*

Parameter Table Type. This option tells your computer whether to use Enhanced or Standard Disk Parameter Tables with IDE hard disks larger than 528 MB. Most operating systems use Enhanced tables.

note: *You may need to use Standard tables with the UNIX** operating system.*

Local Bus IDE Mode. This option lets you choose a mode for drives connected to the Local Bus connector (Drive 1 and Drive 2) on your system board. This option is set for High Performance at the factory. To get the best disk performance, it is recommended that you run these drives in High Performance mode.

Read Prefetch. If the Local Bus IDE mode is set for High Performance, you can enable this option for maximum hard disk performance.

note: *A CD-ROM drive connected at the Drive 1 location may require this option to be disabled. Some operating systems, such as Windows NT** and OS/2**, may also require this option to be disabled.*

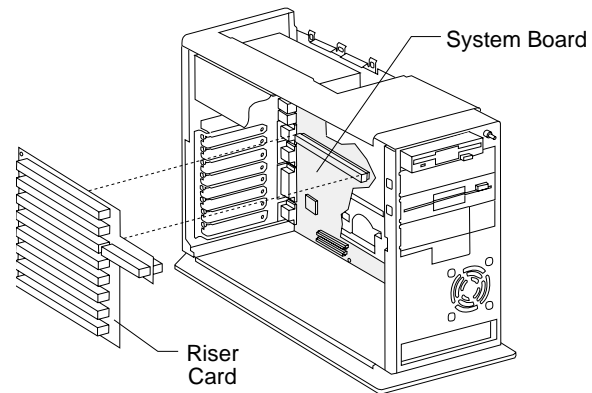
Operate without Keyboard. This option lets you avoid a POST error when the keyboard is disconnected. This option is useful if your computer will be used as a network server.

Installing options **Part 2**

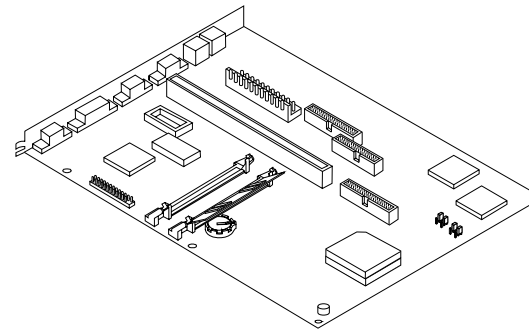
In this part, you will find these chapters:

- “Working with your system unit” Explains how to install adapter cards and drives in your system unit.
- “Working with your system board” Explains how to install the following options on your system board:
 - Single inline memory modules (SIMMs)
 - Upgrade processors
 - Video memory
 - Replacement batteries

This is how the system board looks when installed in your system unit:



This is an example of how the system board is shown in “Chapter 8. Working with your system board” in order to make the parts of the system board easier to see.



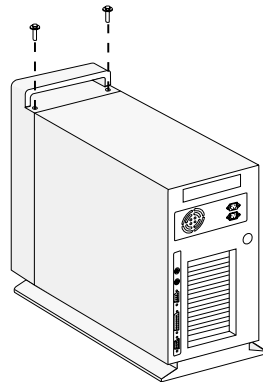
Working with your system unit 6

How to begin

Follow these simple precautions:

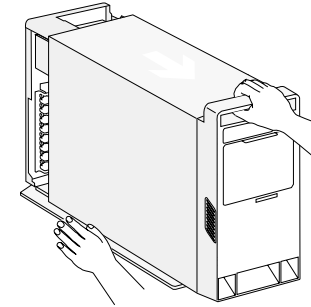
1. Turn off the system unit, monitor, and any external options (such as a printer).
2. Disconnect the telephone cord and any external cables.
3. Remove the system unit cover:

a. Remove the screws.



(Back View)

b. Slide the cover forward.



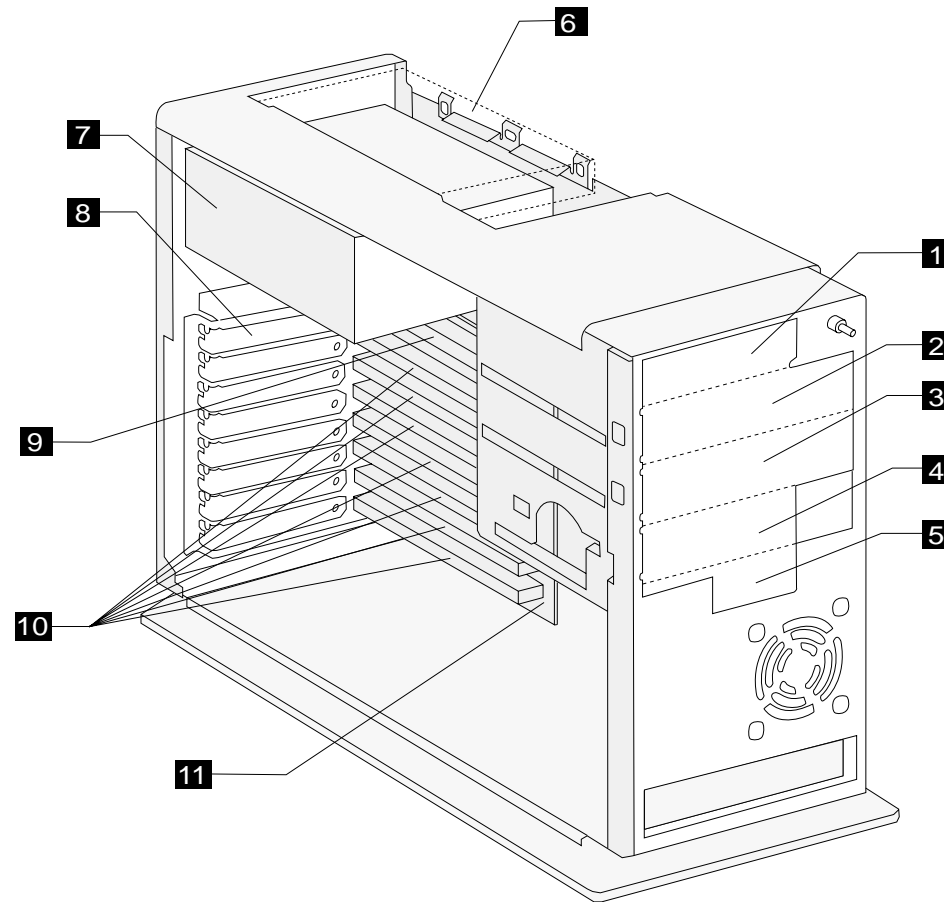
(Front View)

Important:

To prevent electrostatic charge from damaging any part of your computer, touch the computer's bare metal frame before you unplug the system unit, or wear an antistatic wrist strap while making hardware changes.

4. Unplug the system unit and monitor from the electrical outlets.
5. Unplug the power cords of any external options from the electrical outlets.

Identifying parts of the system unit



Specifications of the system unit

The system unit of your computer has six bays and eight adapter card slot/connectors. (Bays are locations for drives.) On most models, three bays come with drives already installed. Later, you may want to purchase a drive to install in an empty bay.

Diskette drives use the standard diskette advanced technology (AT*) interface. Hard disks use an integrated drive electronics (IDE) AT interface. Your computer supports the American National Standards Institute (ANSI) standard for AT attachment disk drives.

- 1** Bay 1. This bay can hold a 3.5-inch slim drive, such as a diskette or tape drive.
- 2** Bay 2. This bay can hold up to a 5.25 inch half high drive, such as a diskette, tape, or CD-ROM drive.
- 3** Bay 3. This bay can hold up to a 5.25-inch half high drive, such as a diskette, tape, or CD-ROM drive.
- 4** Bay 4. This bay can hold up to a 3.5-inch half high drive, such as a diskette or tape drive.
- 5** Bay 5. This bay can hold a 3.5-inch slim hard disk.
- 6** Bay 6. This bay can hold up to a 3.5-inch slim hard disk.
- 7** Power supply. Capable of providing 145 watts of power to the system unit.

- 8** Adapter card slots. Openings for adapter cards.
- 9** Adapter card connector 1. Holds AT adapter cards.
- 10** Adapter card connectors 2 – 8 . Hold AT adapter cards.
- 11** Riser card. This card holds the adapter card connectors.

Preparing to install adapter cards

The system unit has slots for eight adapter cards. In some system units, there is an extension to one of the adapter card connectors that allows you to install a VESA local bus adapter card.

Adapter card specifications

Use the following table to help you determine what type and size of adapter card to install in each slot/connector. *You can install a card in any empty slot in which the card fits.*

Location	Specifications
Slot/connector 1	Can hold a half-length ISA AT adapter card.
Slot/connector 2-8	Can hold a half-length, three-quarter length, or full-length ISA AT adapter card.

Adapter card settings

When you install an adapter card, you may have to set switches or move jumpers to make the card work properly with any other adapter cards that may be installed. You must make sure the settings are correct. Look in the documentation that came with the card for instructions on setting switches, moving jumpers, or changing system settings. If the documentation refers you to information about your computer's I/O addresses, system board interrupt requests (IRQs), or DMA channel assignments, you can find this information in "Appendix A" beginning on page 97.

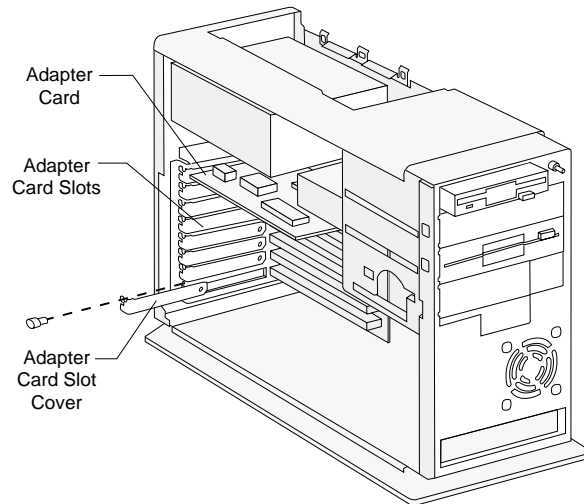
Installing adapter cards

Before you install an adapter card, you must remove the system unit cover. For instructions, see page 69.

For some hardware changes, you may need to remove preinstalled adapter cards. For instructions on removing adapter cards, see page 86. *(Be sure to notice where the cables connect to the cards. You will need to reattach the cables when you reinstall the adapter cards.)*

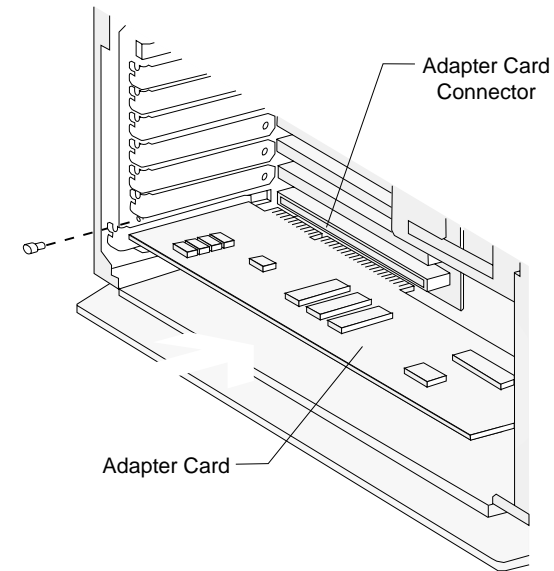
To install an adapter card:

1. Remove the adapter card slot cover screw. Then remove the slot cover.



(Front View)

2. Align and insert the adapter card into the adapter card connector. Insert the screw.



note:

After making hardware changes, reinstall any adapter cards you removed and all necessary screws. Reconnect the cables, if necessary.

Installing a video adapter card

Before you install an adapter card, you must remove the system unit cover. For instructions, see page 69.

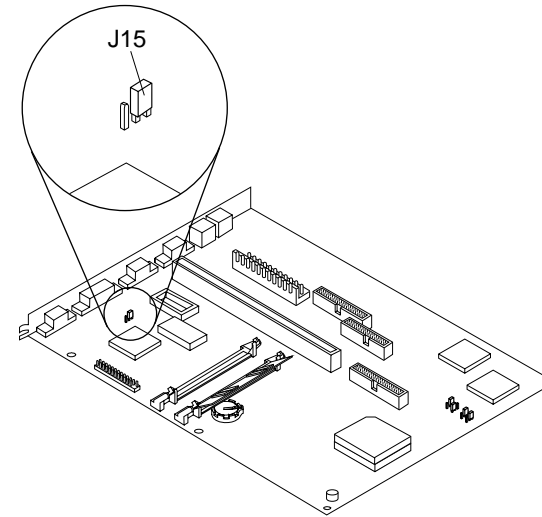
For some hardware changes, you may need to remove preinstalled adapter cards. For instructions on removing adapter cards, see page 86. If these adapter cards have cables attached, disconnect them. *(Be sure to notice where the cables connect to the cards. You will need to reattach the cables when you reinstall the adapter cards.)*

To upgrade your video controller, you must reset (move) the video jumper before installing a video adapter card. This jumper is labeled on your system board as *J15*.

To reset the jumper:

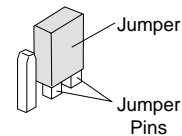
1. Remove all adapter cards and the riser card to access the system board. Follow the instructions on page 86 to remove the adapter cards and the riser card.

2. Locate jumper *J15* on the system board.

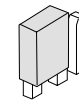


3. Remove the jumper from its current position (this could be Position 1 or Position 2). If the jumper is in Position 1, move it to Position 2. If the jumper is in Position 2, move it to Position 1. See the example.

Position 1



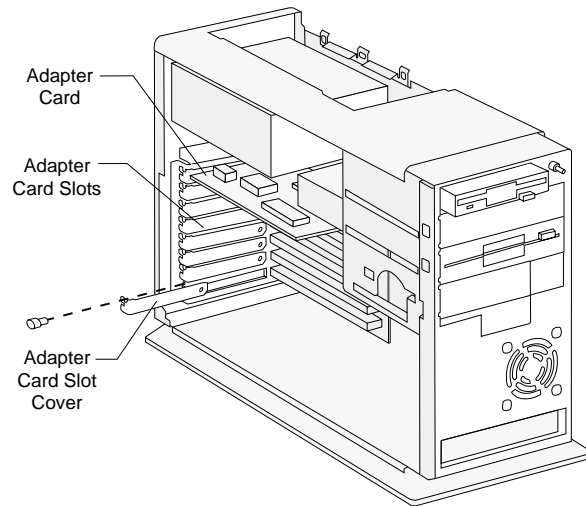
Position 2



4. Reinstall the riser card and adapter cards you removed in step 1. *(Steps continued on the next page.)*

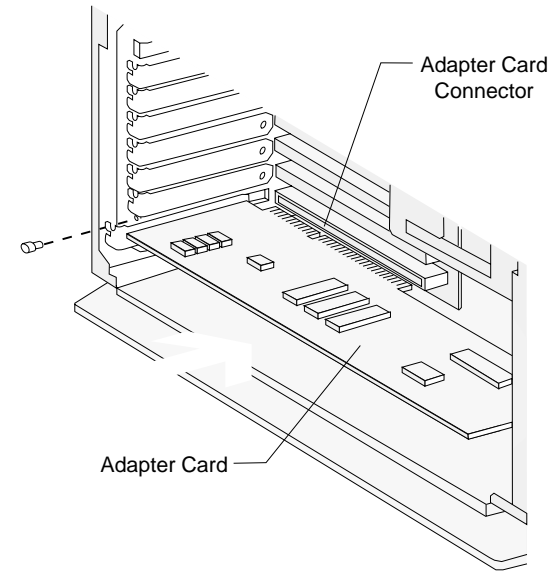
5. Install the video adapter card in any empty slot/
connector in which it fits.

a. Remove the screw and then the adapter card
slot cover.

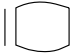


(Front View)

b. Align and insert the adapter card into the
adapter card connector. Insert the screw.



6. Plug your monitor cable into the video adapter
card slot to the back of the system unit (instead of the
monitor connector on the back of the system unit,

which has  next to it.)

Preparing to install drives

Before you install an additional:

- Drive (of any type), you may need to purchase power and signal cables.
- Hard disk, see “Installing additional drives” on page 77.

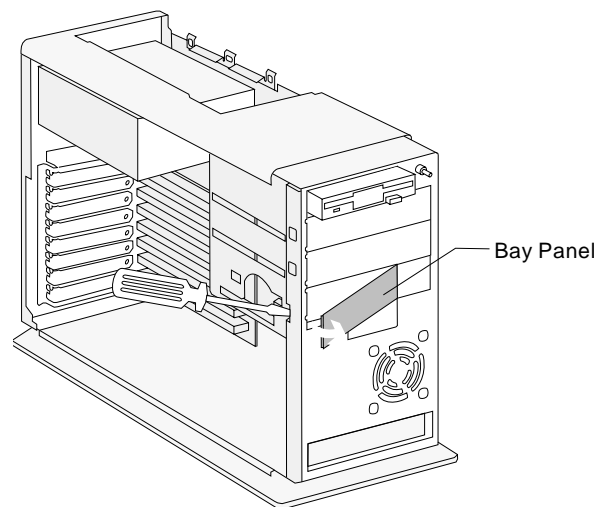
Use the following table to help you determine where to install your drive. *You can install a drive in any empty bay in which the drive fits.*

Bay	Drive Specifications	Bay Capacity
1	Can hold a 3.5-inch slim drive, such as a diskette or tape drive.	101.6 x 25.4 mm (4.0 x 1.0 in.)
2	Can hold up to a 5.25-inch half high drive, such as a diskette, tape, or CD-ROM drive.	149 x 41.3 mm (5.87 x 1.625 in.)
3	Can hold up to a 5.25-inch half high drive, such as a diskette, tape, or CD-ROM drive.	149 x 41.3 mm (5.87 x 1.625 in.)
4	Can hold up to a 3.5-inch half high drive, such as a diskette or tape drive.	101.6 x 41.3 mm (4.0 x 1.625 in.)
5	Can hold a 3.5-inch slim hard disk.	101.6 x 25.4 mm (4.0 x 1.0 in.)
6	Can hold a 3.5-inch slim hard disk	101.6 x 25.4 mm (4.0 x 1.0 in.)

Note: Using the appropriate installation hardware, you can install smaller drives than those listed here.

Before you install a drive, make sure you remove the system unit cover. For cover removal instructions, see page 69.

1. If you are installing a drive in bay 2, 3, or 4, you may need to remove the bay panel first. Use a small, flat-blade screwdriver and refer to the illustration as an example.



(Front View)

2. To ensure that a drive is aligned properly in a bay, do the following:
 - a. Insert each screw and tighten loosely.
 - b. Then tighten all screws securely.

Installing additional drives

When you install additional drives, you have to make sure to use signal (also called data) cables that are attached to the correct connectors. The system board has three connectors for signal cables:

- Local Bus connector (labeled J9 on your system board)
- ISA Bus connector (labeled J10 on your system board)
- Diskette connector (labeled J7 on your system board)

See pages 88 and 89 to identify the connectors.

note: *To install additional drives, you may have to purchase signal and power cables.*

You should attach drives to connectors according to the following table.

Connector	Interface type	Description
Local Bus connector (J9)	IDE/AT Local Bus	Provides the fastest data transfer rate. Preferred location for first and second hard disk drives.
ISA Bus connector (J10)	IDE/AT	Provides normal data transfer rate. Should be used for a third or fourth hard disk drive or for slower devices, such as CD-ROM drives or IDE/AT interface tape drives.
Diskette connector (J7)	Standard diskette AT	Should be used for diskette drives or diskette interface tape drives.

IDE/AT interface drives

Two drives can be attached to each IDE/AT connector with the proper cables. When two drives are attached to one connector, one drive is the Master device, and the other is the Slave device. Jumper settings on the drives determine which drive is the Master and which is the Slave. If you are installing an additional drive, see Table 11 on page 79 for information on the connectors and settings you should use.

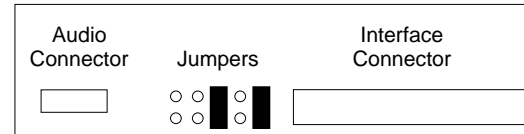
The hard disk that came preinstalled in your computer is attached to the Local Bus connector and is set as a Master device. If your computer came with a CD-ROM drive, it is attached to the ISA Bus connector and is set as a Master device.

Guidelines for attaching additional IDE/AT interface drives

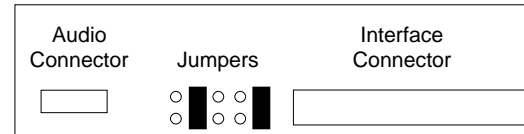
- If only one drive is attached to a connector, it must be set as a Master device.
- On each connector, there can be only one drive set as the Master device and one drive set as the Slave device.
- A maximum of four IDE drives can be attached to your computer, two on the Local Bus connector, and two on the ISA Bus connector.
- If a hard disk shares the same connector with a drive that requires a software device driver (such as a CD-ROM drive), the hard disk should be set as the Master device.

If a CD-ROM drive came with your computer, the following pictures show how to set the CD-ROM jumper on the back of the drive to make it a Master or Slave device. If you have attached another type of drive to the ISA Bus connector, see the documentation that came with that drive to find the jumper location and instructions for setting it.

Jumper setting for CD-ROM drive as Master device:



Jumper setting for CD-ROM drive as Slave device:



See “Connectors and settings for additional drives” on page 79 for information on setting and attaching IDE/AT interface drives.

Diskette interface

Two drives can be attached to the Diskette connector with the proper cables. All drives attached to the Diskette connector should be set to the Drive 0 address. You set this address with a switch on the drive.

See “Connectors and settings for additional drives” on page 79 for information on setting and attaching Diskette interface drives.

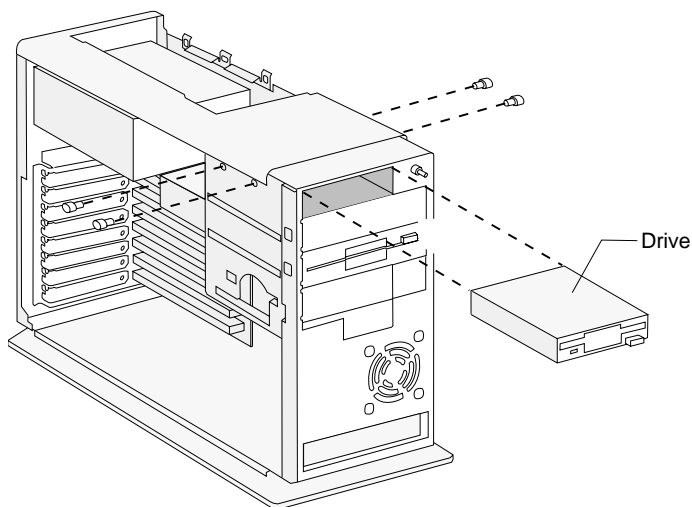
Table 11: Connectors and settings for additional drives

If you install a:	Use system board connector:	Set the new drive:
First or second hard disk drive	Local Bus	<ul style="list-style-type: none"> • As the Master device if it is the only drive attached to the connector. • As the Master device if another type of drive other than a hard disk is already attached to the connector. When you set the new hard disk as the Master device, you must set the drive that is already installed as the Slave device. • As the Slave device, if a hard disk is already attached to the connector. You do not need to change any jumper settings on the hard disk that is already installed.
Third or fourth hard disk drive	ISA Bus	<ul style="list-style-type: none"> • As the Master device if it is the only drive attached to the connector. • As the Master device if another type of drive other than a hard disk is already attached to the connector. When you set the new hard disk as the Master device, you must set the drive that is already installed as the Slave device. • As the Slave device, if a hard disk is already attached to the connector. You do not need to change any jumper settings on the hard disk that is already installed.
CD-ROM drive (or another type of drive that requires a software device driver)	ISA Bus	<ul style="list-style-type: none"> • As the Master device, if it is the only drive attached to the connector. • As the Slave device, if another drive is already attached to the connector. You do not need to change any jumper settings on the drive that is already installed.
Diskette drive	Diskette	To the Drive 0 address. If the new drive is a 5.25" device, you must purchase a signal cable with a 'card edge' connector. Attach the card edge connector to the 5.25" drive. If the new drive is a 3.25" device, you may have to purchase a signal cable. You do not need to change any jumper settings on the drive that is already installed.
For instructions on changing a drive's setting, see the documentation that came with the new drive.		

Installing and removing a drive in bay 1

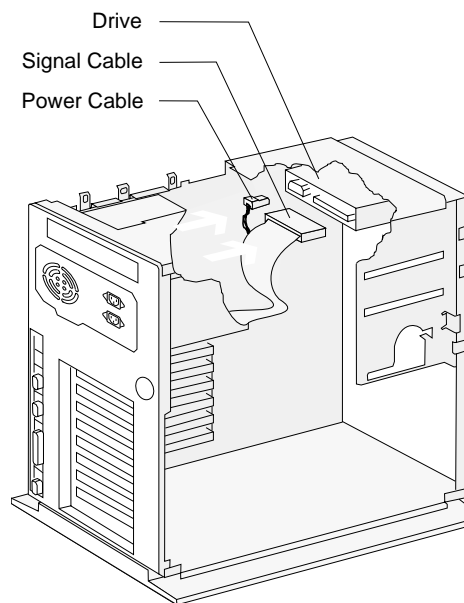
Bay 1 can hold a 3.5-inch slim drive, such as a diskette, or tape drive. For drive removal, reverse the steps shown below.

1. Insert the drive into the bay. Align the screw holes and insert the four screws.



(Front View)

2. Connect the power and signal cables to the drive.



(Back View)

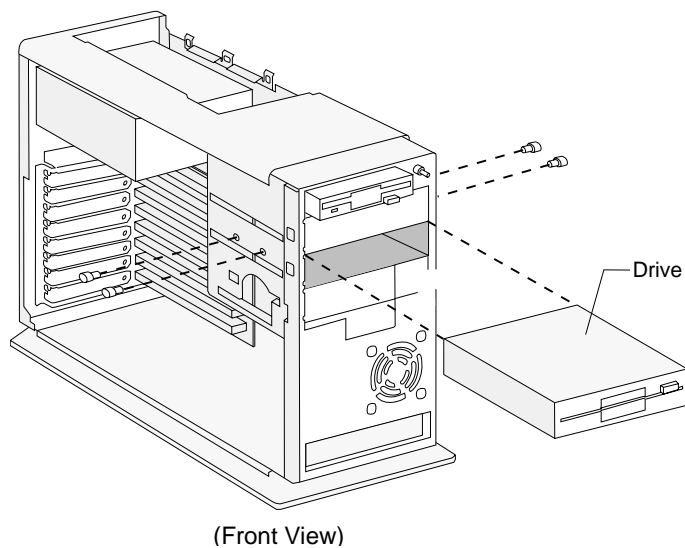
note:

If you are adding a diskette drive or a tape drive that attaches to the Diskette connector, make sure the signal cable you plug into the drive is attached to the Diskette connector on the system board. To identify the Diskette connector on the system board, see "Identifying parts of the system board" on page 88.

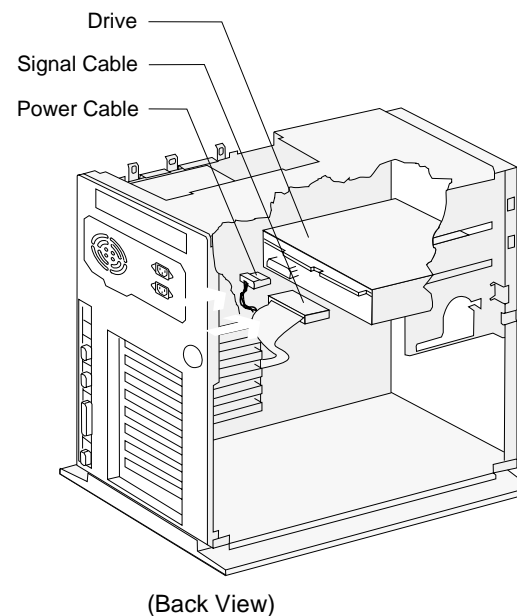
Installing and removing a drive in bay 2 or 3

Bay 2 or 3 can hold up to a 5.25-inch half high drive, such as a diskette, tape, or CD-ROM drive. For drive removal, reverse these steps.

1. Insert the drive into the bay. Align the screw holes and insert the four screws.



2. Connect the power and signal cables to the drive.



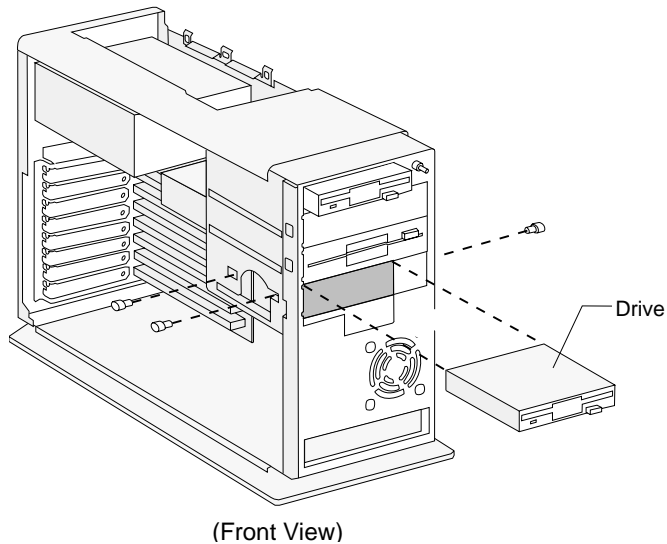
note:

If you are adding a diskette drive or tape drive that attaches to the diskette connector, make sure the signal cable you plug into the drive is attached to the Diskette connector on the system board. If you are adding a CD-ROM, it is recommended that you use the signal cable attached to the ISA Bus connector on the system board. To identify the connectors on the system board, see page 88.

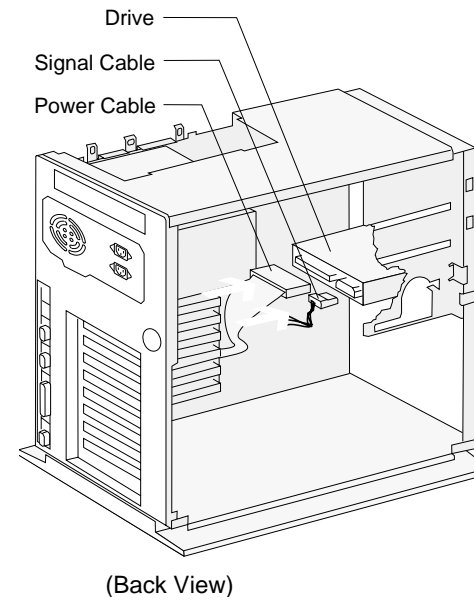
Installing and removing a drive in bay 4

Bay 4 can hold up to a 3.5-inch half high drive, such as a diskette or tape drive. For drive removal reverse these steps.

1. Insert the drive into the bay. Align the screw holes and insert the three screws.



2. Connect the power and signal cables to the drive.



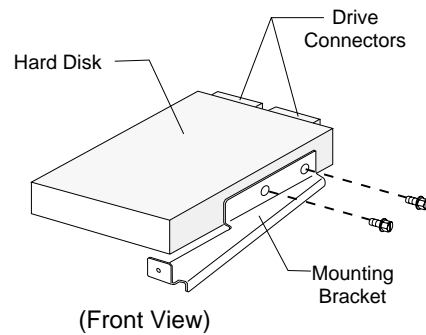
note:

If you are adding a diskette drive or a tape drive that attaches to the Diskette connector, make sure the signal cable you plug into the drive is attached to the Diskette connector on the system board. To identify the Diskette connector on the system board, see "Identifying parts of the system board" on page 88.

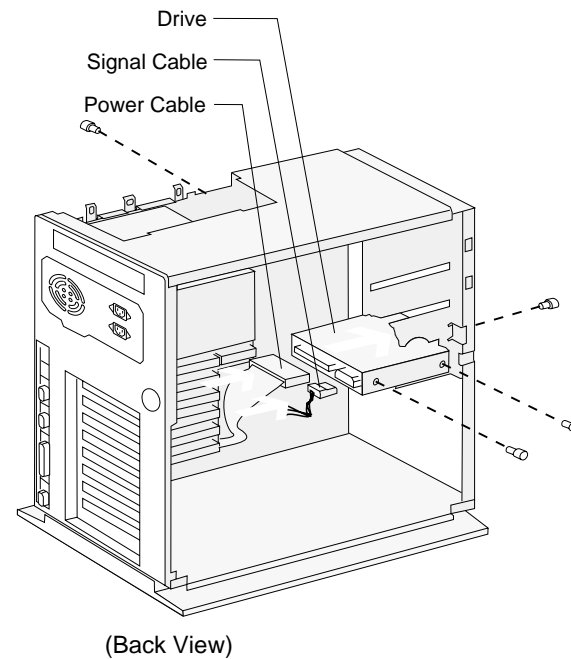
Installing and removing a hard disk in bay 5

Bay 5 can hold a 3.5-inch slim hard disk. For hard disk removal, reverse these steps.

1. To attach the mounting bracket, align the screw holes and insert the two screws.



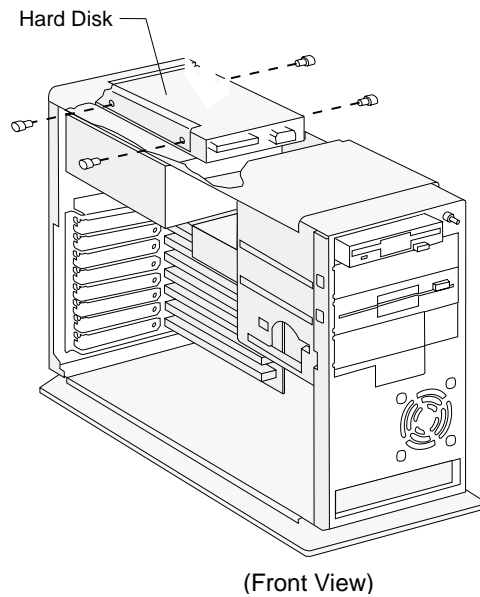
2. Insert the hard disk (with the bracket attached) into the bay. Align the screw holes and insert the four screws. Connect the power and signal cables. (To ensure that your hard drive functions properly, read "Installing additional drives" on page 77 before connecting the cables.)



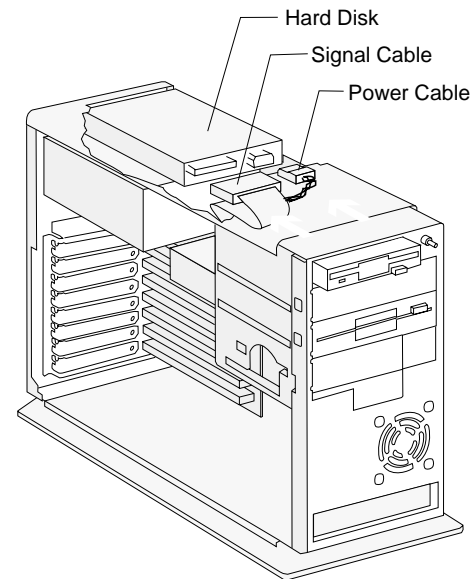
Installing and removing a hard disk in bay 6

Bay 6 can hold a 3.5-inch slim hard disk. For hard disk removal, reverse these steps.

1. Insert the drive into the bay. Align the screw holes and insert the four screws.



2. Connect the power and signal cables. (To ensure that your hard drive functions properly, read "Installing additional drives" on page 77 before connecting the cables.)



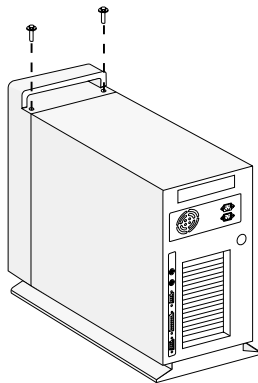
Working with your system board 7

How to begin

Follow these simple precautions:

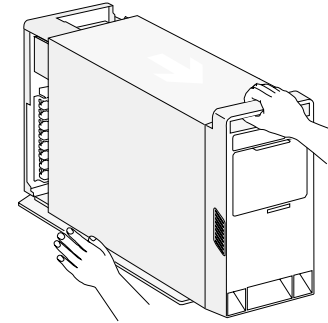
1. Turn off the system unit, monitor, and any external options (such as a printer).
2. Disconnect the telephone cord and any external cables.
3. Remove the system unit cover:

a. Remove the screws.



(Back View)

b. Slide the cover forward.



(Front View)

Important:

To prevent electrostatic charge from damaging any part of your computer, touch the computer's bare metal frame before you unplug the system unit, or wear an antistatic wrist strap while making hardware changes.

4. Unplug the system unit and monitor from the electrical outlets.
5. Unplug the power cords of any external options from the electrical outlets.

Removing the adapter cards and the riser card

Before you make changes to the system board, you may need to remove the adapter cards and the riser card.

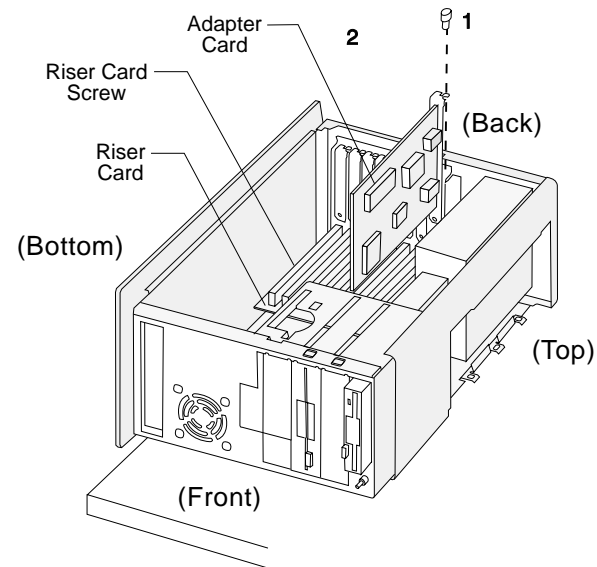
1. Rest your system on a sturdy, flat surface. Turn the system unit so that the system board faces you.

Lay the system unit on its side. To ensure that the system unit lays flat, make sure the base (bottom) of the system unit hangs over the edge of your work surface as shown in the illustration.

2. Remove all adapter cards from the adapter card slots.

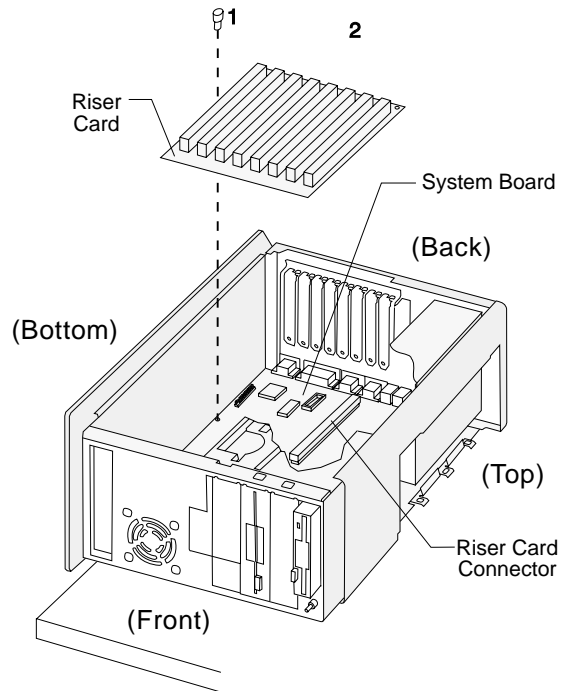
To remove an adapter card:

Remove the adapter card screw. Carefully pull the adapter card straight out of the slot so that the card's components do not bend. If an adapter card has cables, disconnect them. Be sure to notice where the cables connect to the cards. You will have to reconnect these cables when you reinstall the card.



Removing the adapter cards and riser card (continued)

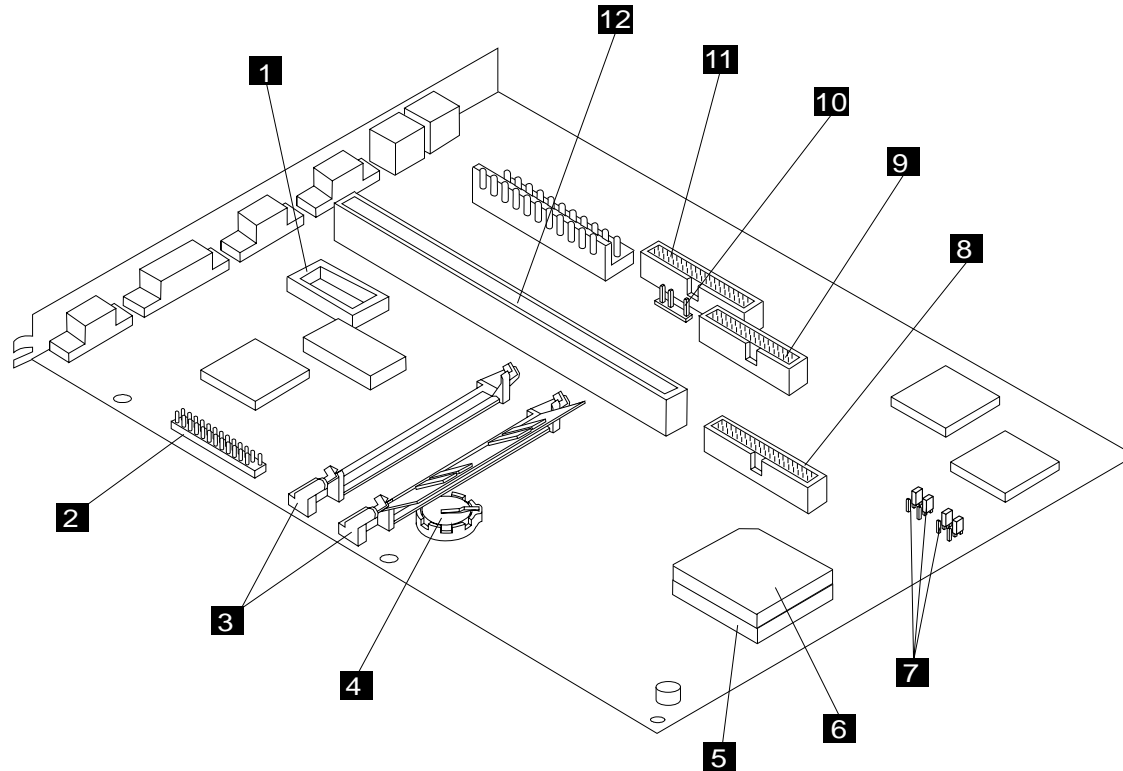
3. Remove the riser card screw. Then remove the riser card.



4. After making changes to the system board, remember to:
 - a. Reinstall the riser card and all adapter cards.
 - b. Insert all screws and tighten them securely.
 - c. Reconnect all cables

Identifying parts of the system board

If you plan to add or replace hardware in your computer, you will need to know the layout of the *system board*. This picture shows an example of the system board in your computer. Simply match the system board in your computer to this example to identify the parts of the system board. The items on the next page correspond to the numbered locations on the picture.



Specifications for the system board

The system board is the main circuit board in the system unit. It supports a variety of devices, such as the mouse and keyboard, and provides other basic computer functions. The system board is sometimes called the *planar* or *motherboard*. The system board shown on page 88 has the following parts:

- 1** Video memory. If your system board has an empty socket here, you can upgrade the video memory to a maximum of 1MB. If your system board has a memory module installed in this socket, or it does not have this socket, the system board already has 1MB of video memory installed.

Specifications: 40-pin, surface mount package (SOJ), 256K x 16, 70 nanoseconds (ns), dynamic random access memory (DRAM)
- 2** VESA feature connector. Used for video and graphics adapter cards.
- 3** Memory module sockets (for SIMMs). Memory modules are also called *single inline memory modules* or *SIMMs*. You can upgrade the memory on your system board to a maximum of 64MB. Some system boards come with 4 or 8MB already installed.

Specifications: 72-pin; 32-bit or 36-bit; 2MB, 4MB, 8MB, 16MB, or 32MB; 70 or 80 ns for 25 or 50 megahertz (MHz), 70 ns for 33 or 66 MHz; gold contacts, DRAM.
- 4** Battery. Replace the battery with a 3-volt (CR2032) lithium battery only.

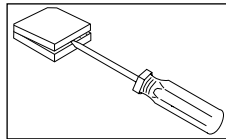
- 5** Processor socket. This is where you install an upgrade processor.
- 6** Processor. You can upgrade the existing processor.
- 7** Processor jumpers. You may have to reset these jumpers if you install an upgrade processor.
- 8** Local Bus connector. Holds signal cables that attach to drives.
- 9** Diskette connector. Holds signal cables that attach to drives.
- 10** Wake Up on Ring connector. Holds the Wake Up on Ring cable attached to the internal modem.
- 11** ISA Bus connector. Holds signal cables that attach to drives.
- 12** Riser card connector. The riser card holds the adapter card connectors.

Installing an upgrade processor

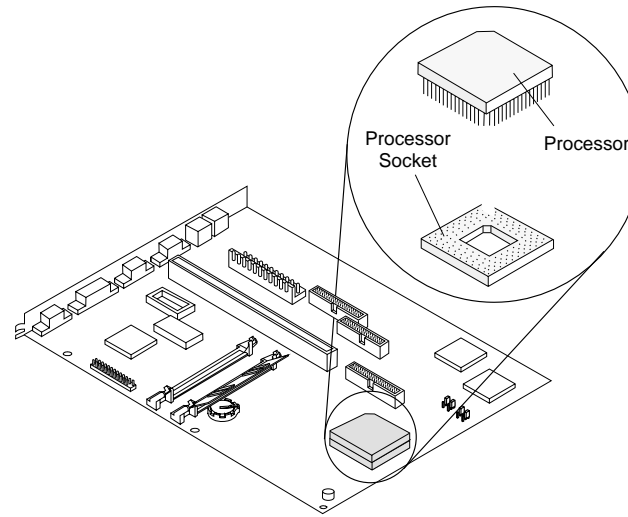
Before beginning these steps, you may have to remove installed adapter cards and the riser card. Follow the instructions on page 86 to remove the adapter cards and the riser card. Remember to reinstall any hardware you removed when you are finished.

To remove the old processor:

1. Use a small, flat-blade screwdriver to loosen the old processor.

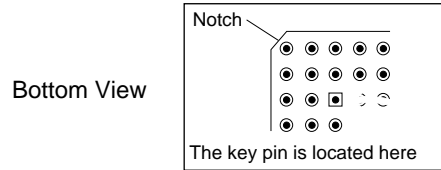


2. Lift the processor out of the processor socket.

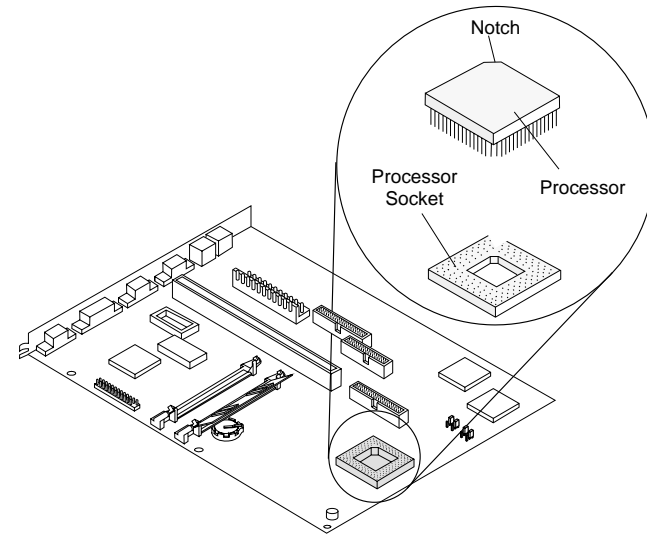


To install the upgrade processor:

1. Turn the processor so that the pin side (bottom) is facing you. Locate the corner of the processor that has the notch and key pin. The key pin looks like the other pins except that it has a square base.



2. Position the processor notch over the socket as shown. Then place the processor firmly into the socket.



3. Follow the instructions on page 92 to reset the jumper.

Jumper instructions for processor upgrades

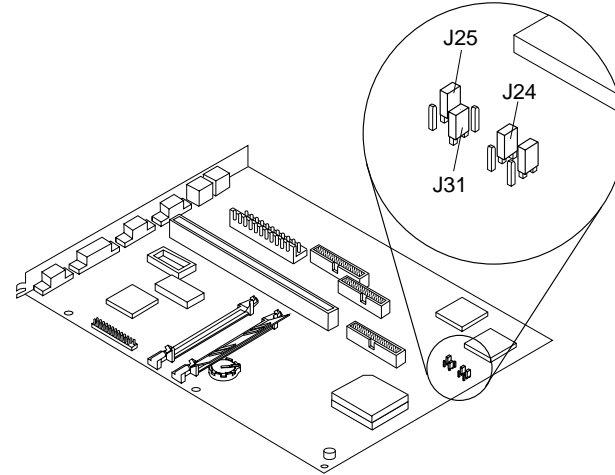
Your computer comes with the jumpers *preset* for the old processor. If you upgrade your processor, you may need to *reset* (move) the processor jumpers. These jumpers are labeled *J24*, *J25*, and *J31* on your system board.

Use the following table to determine whether you need to reset any jumpers.

If your processor is a:	And you upgrade to:	Then:
486SX	a 487 math coprocessor or an Intel OverDrive processor	Move J24, J25, and J31
	486SX2, 486DX, or 486DX2	Move J25 and J31
486DX	486SX2 or 486DX2	Do not move the jumpers
486DX	an Intel OverDrive processor	Move J24
486SX2 or 486DX2	an Intel OverDrive processor	Move J24

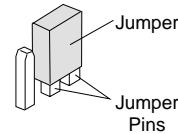
To move the jumpers, do the following:

1. Locate the jumper you need to reset.

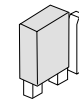


2. Lift the jumper from its current position (this could be Position 1 or Position 2). If the jumper is currently in Position 1, move it to Position 2. If the jumper is currently in Position 2, move it to Position 1. See the *example*.

Position 1



Position 2



note: Remember to reinstall all hardware you removed to access the processor socket.

Installing and removing memory modules

Before beginning these steps, you must remove installed adapter cards and the riser card. Follow the instructions on page 86 if you need to remove the adapter cards and the riser card.

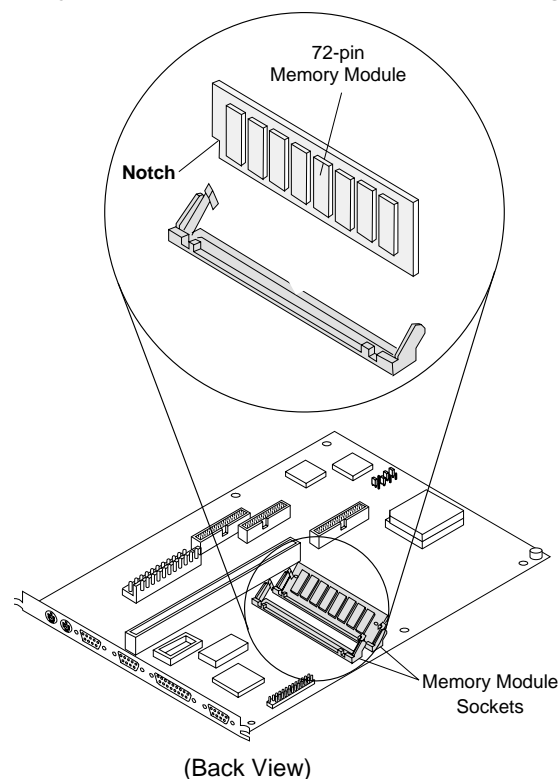
Your computer will come with at least one memory module already installed. If your system board has an empty memory module socket, you can install an additional memory module. You can also replace the existing memory modules with more powerful ones. The maximum amount of memory you can install on your system board is 64MB.

Installing memory modules

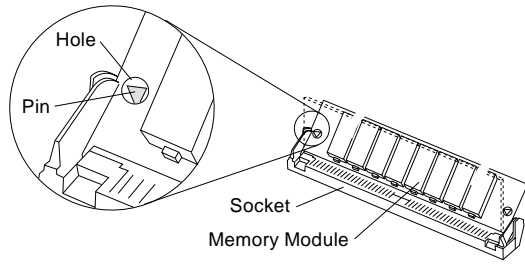
To install an additional memory module in an empty socket:

1. Find the notched edge of the module, and position it as shown.

2. Insert the module straight down into the socket until the connectors line up and the module is firmly in place. *(Steps continued on next page.)*



3. Press back *firmly* on the memory module until both sides *click*, locking into place. The newly installed memory module will be at an angle with pins showing through the holes on each side.



note:

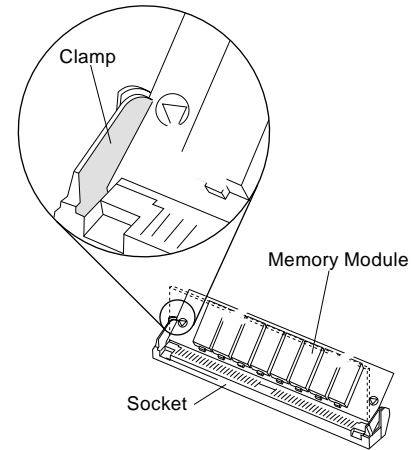
Remember to reinstall all hardware you removed to access the memory module sockets.

Removing memory modules

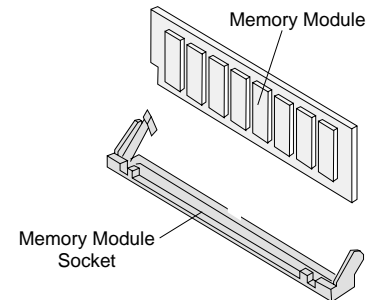
To remove a memory module from its socket:

1. Locate the two clamps that hold the memory module in place (as shown in the following picture). One clamp holds the left edge of the module and the other clamp holds the right.

2. At the same time, push both clamps outward (away from the edges of the module). The module will release and move forward.



3. Lift the module straight out of the socket.



Upgrading video memory

Before beginning these steps, you must remove any installed adapter cards and the riser card. Follow the instructions on page 86 to remove the adapter cards and the riser card.

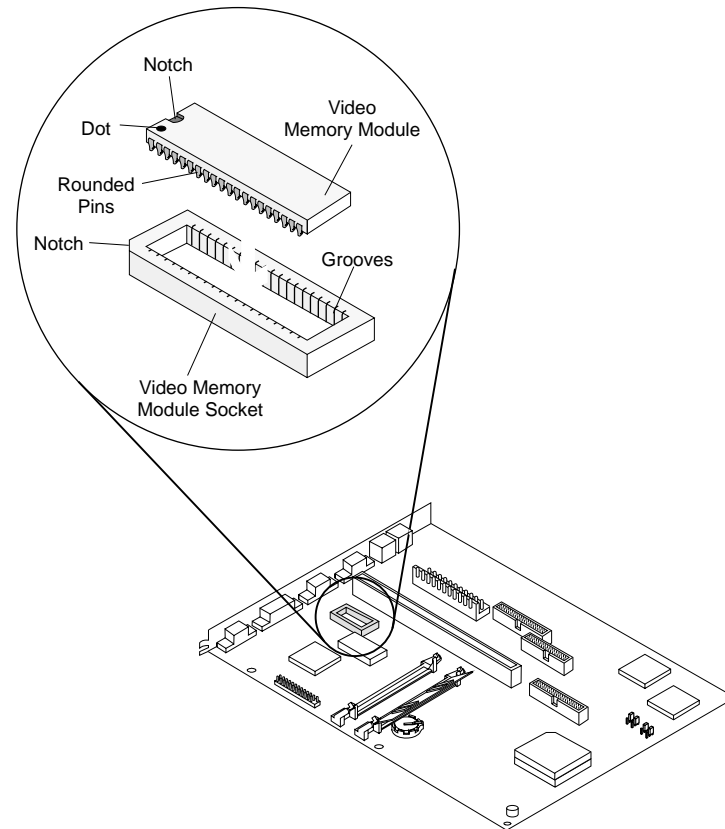
If your system board has an *empty* video memory module socket, you can upgrade the video memory to a maximum of 1MB. If your system board has a video memory module installed in this socket, or it does not have this socket, it already has 1MB installed.

To install a video memory module:

1. One end of the video memory module will have a dot, a notch, or both. Locate the dot or notch on the video memory module.
2. Position the end of the video memory module with the dot or notch as shown.
3. Align the pins on the sides of the memory module with the grooves in the memory module socket.
4. Press straight down *firmly* on the module to insert it into the socket. A properly inserted module will sit completely inside the socket.

note:

Remember to reinstall all hardware you removed to access the video memory module socket.



Replacing the battery

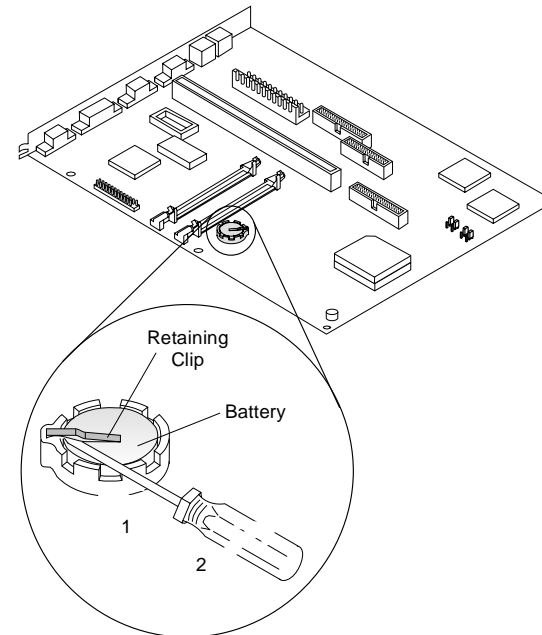
Before beginning these steps, you must remove any installed adapter cards and the riser card. Follow the instructions on page 86 to remove the adapter cards and the riser card.

You may also need to remove the memory modules to access the battery. Follow the instructions on page 94 to remove the memory modules.

To replace the battery:

1. Place the blade of a small, flat-blade screwdriver under the rear edge of the retaining clip.
2. Turn the screwdriver one quarter turn, raising the clip while pressing down on the old battery to remove it.
3. Raise the retaining clip, and insert a new 3-volt (CR2032) lithium battery in its place.

note: *Remember to reinstall all hardware you removed to access the battery.*



Memory map

This table shows the hexadecimal addresses for the system memory regions. You may use this information for adapter cards that require you to set up memory regions.

Table 12: Memory map

Address range	Description
0-640KB (0-9FFFFH)	Base memory
640-768KB (A0000-BFFFFH)	VGA mode video memory
768-800KB (C0000-C7FFFH)	Video BIOS
800-896KB (C8000-DFFFFH)	Adapter card memory or upper memory
896-959KB (E0000-EFBFFFH)	Available for upper memory
959-1024KB (EFC00-FFFFFFH)	System BIOS (some may be available for upper memory)
1024KB-64MB (100000-3FFFFFFFH)	Extended memory

System Input/Output (I/O) addresses

This table shows the hexadecimal addresses for each of the system board I/O functions. You may want to use this information if you install an adapter card that requires you to set I/O addresses.

Table 13: System I/O addresses

Address range (hexadecimal)	Function
0000-001F	DMA controller
0020-0021	Interrupt controller 1
0040-0043	System timers
0060	Keyboard/mouse controller
0061	System control port B
0064	Keyboard/mouse controller
0070-0071	RTC/CMOS and NMI mask
0080-008F	DMA controller
0092	System control port A
00A0-00A1	Interrupt controller 2
00C0-00DF	DMA controller
00EC-00ED	Reserved
00F0-00FF	Math coprocessor
0102	SVGA controller
0108-0109	Reserved
0170-0177, 0376	Secondary IDE controller

Table 13: System I/O addresses (Continued)

Address range (hexadecimal)	Function
01F0-01F7, 03F6	Primary IDE controller
0278-027F	Parallel port 3
02E80-02EF	Serial port 4
02F8-02FF	Serial port 2
0378-037F	Parallel port 2
03C0-03CF, 3D4, 3D5, 03DA	Super VGA controller
03E8-03EF	Serial port 3
03F0-03F5, 03F7	Diskette controller
03F8-03FF	Serial port 1
46E8	SVGA controller
FC20-FC2F	Reserved

System board interrupts

This table shows the system interrupt requests (IRQs) and their functions. You may use this information if you install an adapter card that requires you to set IRQs.

Table 14: System board interrupts

Interrupt request (IRQ)	Function
SMI	Power management
NMI	Parity error or I/O channel check
0	Timer
1	Keyboard
2	Cascade to IRQ8-IRQ15
3	Serial port B
4	Serial port A
5	User available
6	Diskette
7	Parallel port
8	Real-time clock
9	Redirect cascade (user available)
10	User available
11	User available
12	Mouse
13	Math coprocessor
14	Primary IDE
15	Secondary IDE

DMA channel assignments

This table shows the channel assignments for direct memory access (DMA). DMA allows I/O devices to transfer data directly to and from memory. You may need to select an open DMA channel if you add an I/O device that uses DMA.

Table 15: DMA channel assignments

DMA channel	Assignment
0	User available
1	User available
2	Diskette
3	User available
4	Cascade
5	User available
6	User available
7	User available

Note: In ECP bi-directional mode, the parallel port may be set to use either DMA channel 3 or DMA channel 1. Jumpers JP8 and JP9 control which DMA channel is used.

Index

Numerics

- 101 System Board Error 52
- 107 System Board Error 52
- 108 System Board Error 52
- 110 System Board Parity Error 52
- 1101 Serial Port Error 55
- 111 I/O Channel Parity Error 52
- 114 Adapter ROM Error 52
- 1162 Serial Port Configuration Error 56
- 161 Bad CMOS Battery 53
- 162 Configuration Error 53
- 163 Date and Time Incorrect 54
- 164 Memory Size Error 54
- 1762 Hard Disk Configuration Error 56
- 1780/1790 Drive 1 (Hard Disk) Error 56
- 1781/1791 Drive 2 (Hard Disk) Error 56
- 1782/1792 Drive 3 (Hard Disk) Error 56
- 1783/1793 Drive 4 (Hard Disk) Error 56
- 1962 Boot Sequence Error 57
- 20X Memory Error 54
- 2401 Video Error 57
- 2462 Video Configuration Error 57
- 262 Memory Parity Configuration Error 54
- 30X Keyboard Error 55
- 5962 CD-ROM Configuration Error
 - CD-ROM Configuration Error 58
- 662 Diskette Drive Configuration Error 55
- 762 Math Coprocessor Configuration Error 55
- 860X Pointing Device Error 58
- 962 Parallel Port Configuration Error 55

A

- about this book ix
- adapter card
 - changing settings 72
 - I/O addresses 98
 - installing 72
 - IRQs (interrupt requests) 100
 - specifications 72
- Adapter ROM Error 52
- APM BIOS mode 63
- Auto Answer 21
- Automatic Power Off 63

B

- Bad CMOS Battery 53
- battery
 - installing 96
 - location 88–89
 - replacing 96
 - safety information vii
- bay
 - capacities 71, 76
 - panel, removing 76
- Boot Sequence Error 57

C

- cache memory
 - defined 61
 - internal 61
- cache system BIOS 65
- Call Waiting 21
- CD-ROM drive
 - installing and removing 81

- colors, monitor 9, 11
- Configuration Error 53
- Configuration Utility 59–65
- connector
 - ISA Bus 77
 - Local Bus 77
- controls
 - adjusting monitor 4–7
 - monitor
 - Contrast and Brightness 4
 - image 5–7

D

- Date and Time Incorrect 54
- Date, setting 62
- disk BIOS translation 65
- Diskette Drive Configuration Error 55
- DMA (Direct Memory Access) channel assignments 101
- Drive 1 (Hard Disk) Error 56
- Drive 2 (Hard Disk) Error 56
- Drive 3 (Hard Disk) Error 56
- Drive 4 (Hard Disk) Error 56
- drives
 - changing settings in the Configuration Utility 62
 - diskette connector location 88–89
 - installing and removing
 - CD-ROM 81
 - diskette 80–82
 - hard disk 83–84
 - tape 80–82
 - preparing to install 76
 - specifications 76
 - where to install 76

E

- error codes 52–58
 - 101 System Board Error 52
 - 107 System Board Error 52
 - 108 System Board Error 52
 - 110 System Board Parity error 52
 - 1101 Serial Port Error 55
 - 111 I/O Channel Parity Error 52
 - 114 Adapter ROM Error 52
 - 1162 Serial Port Configuration Error 56
 - 161 Bad CMOS Battery 53
 - 162 Configuration Error 53
 - 163 Date and Time Incorrect 54
 - 164 Memory Size Error 54
 - 1762 Hard Disk Configuration Error 56
 - 1780/1790 Drive 1 (Hard Disk) Error 56
 - 1781/1791 Drive 2 (Hard Disk) Error 56
 - 1782/1792 Drive 3 (Hard Disk) Error 56
 - 1783/1793 Drive 4 (Hard Disk) Error 56
 - 1962 Boot Sequence Error 57
 - 20X Memory Error 54
 - 2401 Video Error 57
 - 2462 Video Configuration Error 57
 - 262 Memory Parity Configuration Error 54
 - 30X Keyboard Error 55
 - 5962 CD-ROM Configuration Error 58
 - 662 Diskette Drive Configuration Error 55
 - 762 Math Coprocessor Configuration Error 55
 - 860X Pointing Device Error 58
 - 962 Parallel Port Configuration Error 55

F

- fax modem 25
 - choosing software applications 25
 - Class 1 and Class 2 commands 25
 - groups 25
 - using Auto Answer with fax applications 21
- font size, displayed on monitor 9, 11
- frequency, monitor 9–10

G

- groups, fax modem 25

H

- hard disk 61
 - choosing modes for 65
 - installing and removing 77, 83, 84
 - ISA Bus connector 88–89
 - Local Bus connector 88–89
 - local bus IDE mode 65
 - parameter table type 65
 - preparing to install 76
 - read prefetch 65
 - using IDE disks larger than 528MB 65
- Hard Disk Configuration Error 56
- hardware
 - assistance viii
 - configuration, viewing and changing 59
- headphones
 - adjusting the volume 17

I

- I/O Channel Parity Error 52
- installing options 67
- interrupt requests (IRQs) 100
- IRQs 100
- ISA Bus connector 77

J

- jumpers
 - processor 92
 - video adapter card 74

K

- Keyboard Error 55

L

- Local Bus connector 77
- local bus IDE mode 65
 - read prefetch 65

M

- Math Coprocessor Configuration Error 55
- memory
 - DMA channel assignments 101
 - RAM 93
- Memory Error 54
- memory module, see *SIMM*
- Memory Parity Configuration Error 54
- Memory Size Error 54
- modem 19
 - AT commands 28
 - changing software and hardware addresses 26
 - communications settings 26
 - connecting to the telephone network 19
 - connection process 23–24
 - DIP switches 26
 - fax 25
 - jumper settings 27
 - operating 20
 - protocol 23–24
 - standards 24
 - return codes 31
 - S registers 20, 32

- software packages 20
- telephone operating procedures 21
 - disabling Call Waiting 21
- types of built-in 19
- Wake Up on Ring 64
- monitor
 - adjusting controls 4–7
 - changing the frequency
 - in the Configuration Utility 61
 - changing the mode 63
 - colors 9, 11
 - controls
 - Contrast and Brightness 4
 - image 5–7
 - display modes 9
 - font size 9, 11
 - frequency 9, 10
 - performance 10, 11, 12
 - power saver feature 8
 - problems with 39
 - resolution 9, 11
 - setting up and using 3
 - settings 9
 - terms and definitions 9
 - using the tilt/swivel stand 3
- motherboard, see *system board*

N

Notices vii

O

- online
 - documentation x
 - tutorials x
- operate without keyboard 65

P

- parallel port
 - changing settings for 62
- Parallel Port Configuration Error 55
- parallel port mode
 - changing settings for 62
- parameter table type 65
- password, creating 62
- performance
 - monitor 10, 11, 12
- planar, see *system board*
- Plug and Play adapter cards
 - configuring 72
- Pointing Device Error 58
- POST error
 - avoiding when keyboard is disconnected 65
- power indicator lights
 - location 37
 - used for problem solving 37
- power saver feature
 - monitor 8
- printer driver
 - defined 15
 - installing 15
- problem solving
 - beeps as indicator 38
 - blank screen 50
 - CD-ROM does not play 51
 - CD-ROM drive "skips" or plays music erratically 51
 - error codes 52–58
 - hardware problems 40–43
 - can't enter password 40
 - can't format diskette 41
 - can't read information on diskette or CD 41
 - can't send information (write) to diskette 41
 - computer shuts down without warning 40
 - error code (and description), more than one beep in self-test, or continuous beep occurs 40
 - insert diskette picture appears 43
 - mouse does not move cursor 42
 - no beep during power-on self test (POST) 40
 - printer error 43
- monitor problems 39, 49–50
 - adjustments not saved 49
 - discolored screen 49
 - flickering image 49
 - indicator lights flash consecutively 49
 - poor picture shape 49
 - screen color is intense yellow, magenta, or cyan 49
 - white screen 49
- multimedia problems 51
- no cursor displayed 50
- no sound from headphones 51
- no sound from speakers 51
- only cursor is displayed 50
- steps 37
- unreadable screen 50
- using indicator lights 37
- Windows "Drive Not Ready" message appears 51
- processor
 - installing upgrades 90
 - jumper location 88–89
 - location 88–89
 - removing 90
 - resetting jumpers 92
 - socket location 88–89
- publications
 - other IBM Aptiva Personal Computer x

R

Rapid Resume

- APM BIOS mode 63
- Automatic Power Off 63
- defined 13, 62
- Standby
 - changing settings 63
 - halting the CPU 64
- Standby snapshot 63
- turning on and off 63
- using adapter cards with 63

Rapid Resume Manager

- features
 - Rapid Resume 13
 - Scheduler 13
 - Standby 13
 - Wake Up on Ring 13
- normal operation 13–48

read prefetch 65

reference information 1

resolution, monitor 9, 11

riser card

- connector
- location 88–89
- removing 87

S

safety information vii

- grounding your computer vii
- protecting against electrical shock vii

Scheduler

- defined 13

serial port

- changing settings for 62
- Serial Port Configuration Error 56
- Serial Port Error 55

settings

- monitor 9–11

SIMM (single inline memory module)

- installing 93
- removing 94
- socket location 88–89

software

- additional offerings x
- choosing fax applications 25
- modem 20

Standby 63

- defined 13, 63

startup sequence 64

system board 85–96

- hexadecimal address for I/O functions 98

- identifying parts 88–89

- interrupt requests (IRQs) 100

System Board Error 52

System Board Parity Error 52

system unit 69–84

- drive bay capacities 71
- identifying parts 70–71
- installing adapter cards 72
- installing drives 76–84
- removing the cover 69, 85
- specifications 71

T

time, setting 62

trademarks viii

- IBM viii

- other company's viii

troubleshooting 37–58

V

VESA

- feature connector location 88–89
- local bus adapter card 72

video adapter card

- installing 74

Video Configuration Error 57

Video Error 57

video memory

- installing 95
- upgrading 95

volume

- adjusting on multimedia systems 17
 - headphones 17
- control on CD-ROM drive 17
- controls in multimedia software 17
- speaker 17

W

Wake Up on Alarm

- defined 64
- setting the date and time 64
- turning on and off 64

Wake Up on Ring

- defined 13, 64
- indicating phone calls received 64
- turning on and off 64

Wake Up on Ring connector

- location 88–89

warranty and license agreement x