

IBM Personal Computer

S00N-4019-00

**PC 300 Series  
Aptiva (Type 2173)**

**Volume 2:**

**Hardware  
Maintenance  
Manual**

**September 1999**

**We Want Your Comments!  
(Please see page 159)**

**This Manual Supports:**

300 Series, Type

6268  
6278  
6288  
6338

Aptiva, Type

2173



IBM Personal Computer

S00N-4019-00

**PC 300 Series  
Aptiva (Type 2173)**

**Volume 2:**

**Hardware  
Maintenance  
Manual**

**September 1999**

**We Want Your Comments!  
(Please see page 159)**



**Note**

Before using this information and the product it supports, be sure to read the general information under "Notices" on page 168.

**First Edition (September 1999)**

**The following paragraph does not apply to the United Kingdom or any country where such provisions are inconsistent with local law:** INTERNATIONAL BUSINESS MACHINES CORPORATION PROVIDES THIS PUBLICATION "AS IS" WITHOUT WARRANTY OF ANY KIND, EITHER EXPRESS OR IMPLIED, INCLUDING, BUT NOT LIMITED TO, THE IMPLIED WARRANTIES OF MERCHANTABILITY OR FITNESS FOR A PARTICULAR PURPOSE. Some states do not allow disclaimer of express or implied warranties in certain transactions, therefore, this statement may not apply to you.

This publication could include technical inaccuracies or typographical errors. Changes are periodically made to the information herein; these changes will be incorporated in new editions of the publication. IBM may make improvements and/or changes in the product(s) and/or the program(s) described in this publication at any time.

This publication was developed for products and services offered in the United States of America. IBM may not offer the products, services, or features discussed in this document in other countries, and the information is subject to change without notice. Consult your local IBM representative for information on the products, services, and features available in your area.

Requests for technical information about IBM products should be made to your IBM reseller or IBM marketing representative.

© Copyright International Business Machines Corporation 1999. All rights reserved.

Note to U.S. Government users—Documentation related to Restricted rights—Use, duplication, or disclosure is subject to restrictions set forth in GSA ADP Schedule Contract with IBM Corp.

---

## About this manual

This (Volume 2) manual contains service and reference information for IBM Personal Computer 300 Series and the IBM Aptiva (2173) Type computers listed in front of this manual.

This manual is divided into product service sections, by type, and a related service section as follows:

- The product service sections include procedures for isolating problems to a FRU, a Symptom-to-FRU Index, related service procedures, models listing, and an illustrated parts catalog.
- The related service section includes safety notices and safety information, and problem determination tips.

### Important

This manual is intended for trained servicers who are familiar with IBM Personal Computer products. Use this manual along with advanced diagnostic tests to troubleshoot problems effectively.

Before servicing an IBM product, be sure to review the "Safety notices (multi-lingual translations)" on page 128 and "Safety information" on page 152.

## Important safety information

Be sure to read all caution and danger statements in this book before performing any of the instructions.

Leia todas as instruções de cuidado e perigo antes de executar qualquer operação.

---

## 注意和危险声明 (简体中文)

### 重要事项:

本书中的所有注意和危险声明之前都有编号。该编号用于英语的注意或危险声明与 *Safety Information* 一书中可以找到的翻译版本的注意或危险声明进行交叉引用。

例如，如果一个注意声明以编号 1 开始，那么对该注意声明的翻译出现在 *Safety Information* 一书中的声明 1 中。

在按说明执行任何操作前，请务必阅读所有注意和危险声明。

---

## 注意及危險聲明 (中文)

### 重要資訊：

本書中所有「注意」及「危險」的聲明均以數字開始。此一數字是用來作為交互參考之用，英文「注意」或「危險」聲明可在「安全資訊」(Safety Information)一書中找到相同內容的「注意」或「危險」聲明的譯文。

例如，有一「危險」聲明以數字 1 開始，則該「危險」聲明的譯文將出現在「安全資訊」(Safety Information)一書的「聲明」1 中。

執行任何指示之前，請詳讀所有「注意」及「危險」的聲明。

Prenez connaissance de toutes les consignes de type Attention et Danger avant de procéder aux opérations décrites par les instructions.

Lesen Sie alle Sicherheitshinweise, bevor Sie eine Anweisung ausführen.

Accertarsi di leggere tutti gli avvisi di attenzione e di pericolo prima di effettuare qualsiasi operazione.

---

## 주의 및 위험 경고문(한글)

### 중요:

이 책에 나오는 모든 주의 및 위험 경고문은 번호로 시작됩니다. 이 번호는 *Safety Information* 책에 나오는 영문판 주의 및 위험 경고문과 한글판 주의 및 위험 경고문을 상호 참조하는데 사용됩니다.

예를 들어 주의 경고문이 번호 1로 시작되면 *Safety Information* 책에서 이 주의 경고문은 경고문 1번 아래에 나옵니다.

지시를 따라 수행하기 전에 먼저 모든 주의 및 위험 경고문을 읽도록 하십시오.

Lea atentamente todas las declaraciones de precaución y peligro ante de llevar a cabo cualquier operación.

---

## Related publications

The following publications are available for IBM products.  
For more information, contact IBM or an IBM Authorized Dealer.

For Information About	See Publication
PC300/700 and IntelliStation computers - Volume 1 HMM	IBM Personal Computer Hardware Maintenance Manual Volume 1 (S83G-7789)
PS/2 Computers	IBM Personal System/2 Hardware Maintenance Manual (S52G-9971)
PS/ValuePoint Computers	IBM PS/ValuePoint Hardware Maintenance Service and Reference (S61G-1423)
Laptop, Notebook, Portable, and ThinkPad Computers (L40, CL57, N45, N51, P70/P75, ThinkPad 300, 350, 500, 510, 710T, Expansion Unit, Dock I, Dock II)	IBM Mobile Systems Hardware Maintenance Manual Volume 1 (S82G-1501)
ThinkPad Computers (ThinkPad 340, 355, 360, 370, 700, 701, 720, 750, 755)	IBM Mobile Systems Hardware Maintenance Manual Volume 2 (S82G-1502)
ThinkPad Computers (ThinkPad 365, 560, 760, SelectaDock)	IBM Mobile Systems Hardware Maintenance Manual Volume 3 (S82G-1503)
Monitors (Displays) (February 1993)	IBM PS/2 Display HMM Volume 1 (SA38-0053)
Monitors (December 1993)	IBM Color Monitor HMM Volume 2 (S71G-4197)
IBM Monitors (P/G Series) (June 1996)	IBM Monitor HMM Volume 3 (S52H-3679)
IBM 2248 Monitor (February 1996)	IBM Monitor HMM Volume 4 (S52H-3739)
Disk Array technology overview and using the IBM RAID Configuration Program	Configuring Your Disk Array booklet (S82G-1506)
Installation Planning for Personal System/2 computers	Personal System/2 Installation Planning and Beyond (G41G-2927)
Installation Planning for Advanced Personal System/2 Servers	Advanced PS/2 Servers Planning and Selection Guide (GG24-3927)





---

## Contents

About this manual . . . . .	iii
Important safety information . . . . .	iii
Related publications . . . . .	v

### **IBM PC Enhanced Diagnostics error codes . . . . . 1**

<b>PC 300 - 6268/6278/6288/6338 Aptiva - 2173 . . . . .</b>	<b>21</b>
General checkout . . . . .	24
Diagnostics and test information . . . . .	32
Product description . . . . .	43
Additional service information . . . . .	47
Computer exploded view (Type 6268/6278/2173) . . . . .	63
Computer exploded view (Type 6288/6338) . . . . .	72
System board . . . . .	79
Symptom-to-FRU index . . . . .	82
Undetermined problem . . . . .	110
Model tables - Country/Region/Language . . . . .	111
Parts (Type 6268/6278/2173) . . . . .	119
Parts (Type 6288/6338) . . . . .	122

<b>Related Service Information . . . . .</b>	<b>127</b>
Safety notices (multi-lingual translations) . . . . .	128
Safety information . . . . .	152
Miscellaneous information . . . . .	157
Send us your comments! . . . . .	159
Do you need technical references? . . . . .	160
Problem determination tips . . . . .	161
Notices . . . . .	168



---

## IBM PC Enhanced Diagnostics error codes

Refer to the IBM PC Enhanced Diagnostics section of the Type computer you are servicing in the HMM.

Refer to the following Diagnostic Error Codes when using the IBM PC Enhanced Diagnostics test.

In the following index, "X" can represent any number.

Diagnostic Error Code	FRU/Action
<b>000-000-XXX</b> BIOS Test Passed	1. <b>No action</b>
<b>000-002-XXX</b> BIOS Timeout	1. <b>Flash the system</b> 2. System board
<b>000-024-XXX</b> BIOS Addressing test failure	1. <b>Flash the system</b> 2. System board
<b>000-025-XXX</b> BIOS Checksum Value error	1. <b>Flash the system</b> 2. Boot block 3. System board
<b>000-026-XXX</b> FLASH data error	1. <b>Flash the system</b> 2. Boot block 3. System board
<b>000-027-XXX</b> BIOS Configuration/Setup error	1. <b>Run Setup</b> 2. Flash the system 3. Boot block 4. System board
<b>000-034-XXX</b> BIOS Buffer Allocation failure	1. <b>Reboot the system</b> 2. Flash the system 3. Run memory test 4. System board
<b>000-035-XXX</b> BIOS Reset Condition detected	1. <b>Flash the system</b> 2. System board
<b>000-036-XXX</b> BIOS Register error	1. <b>Flash the system</b> 2. Boot block 3. System board
<b>000-038-XXX</b> BIOS Extension failure	1. <b>Flash the system</b> 2. Adapter card 3. System board
<b>000-039-XXX</b> BIOS DMI data error	1. <b>Flash the system</b> 2. System board
<b>000-195-XXX</b> BIOS Test aborted by user	1. <b>Information</b> 2. Re-start the test, if need to
<b>000-196-XXX</b> BIOS test halt, error threshold exceeded	1. <b>Depress F3 to review the log file.</b> 2. <b>Re-start the test to reset the log file.</b>

Diagnostic Error Code	FRU/Action
<b>000-197-XXX</b> BIOS test warning	<ol style="list-style-type: none"> <li>1. <b>Make sure component that is called out is enabled and/or connected</b></li> <li>2. Re-run test</li> <li>3. Component that is called out in warning statement</li> <li>4. Component under test</li> </ol>
<b>000-198-XXX</b> BIOS test aborted	<ol style="list-style-type: none"> <li>1. <b>If a component is called out, make sure it is enabled and/or connected</b></li> <li>2. Flash the system and re-test</li> </ol>
<b>000-199-XXX</b> BIOS test failed, cause unknown	<ol style="list-style-type: none"> <li>1. Flash the system and re-test.</li> <li>2. Replace component under function test.</li> </ol>
<b>000-250-XXX</b> BIOS APM failure	<ol style="list-style-type: none"> <li>1. <b>Flash the system</b></li> <li>2. System board</li> </ol>
<b>000-270-XXX</b> BIOS ACPI failure	<ol style="list-style-type: none"> <li>1. <b>Flash the system</b></li> <li>2. System board</li> </ol>
<b>001-000-XXX</b> System Test Passed	<ol style="list-style-type: none"> <li>1. <b>No action</b></li> </ol>
<b>001-00X-XXX</b> System Error	<ol style="list-style-type: none"> <li>1. <b>System board</b></li> </ol>
<b>001-01X-XXX</b> System Error	<ol style="list-style-type: none"> <li>1. <b>System board</b></li> </ol>
<b>001-024-XXX</b> System Addressing test failure	<ol style="list-style-type: none"> <li>1. <b>System board</b></li> </ol>
<b>001-025-XXX</b> System Checksum Value error	<ol style="list-style-type: none"> <li>1. <b>Flash the system</b></li> <li>2. System board</li> </ol>
<b>001-026-XXX</b> System FLASH data error	<ol style="list-style-type: none"> <li>1. <b>Flash the system</b></li> <li>2. System board</li> </ol>
<b>001-027-XXX</b> System Configuration/Setup error	<ol style="list-style-type: none"> <li>1. <b>Run Setup</b></li> <li>2. Flash the system</li> <li>3. System board</li> </ol>
<b>001-032-XXX</b> System Device Controller failure	<ol style="list-style-type: none"> <li>1. <b>System board</b></li> </ol>
<b>001-034-XXX</b> System Device Buffer Allocation failure	<ol style="list-style-type: none"> <li>1. <b>Reboot the system</b></li> <li>2. Flash the system</li> <li>3. Run memory test</li> <li>4. System board</li> </ol>
<b>001-035-XXX</b> System Device Reset condition detected	<ol style="list-style-type: none"> <li>1. <b>System board</b></li> </ol>
<b>001-036-XXX</b> System Register error	<ol style="list-style-type: none"> <li>1. <b>System board</b></li> </ol>

Diagnostic Error Code	FRU/Action
<b>001-038-XXX</b> System Extension failure	1. <b>Adapter card</b> 2. System board
<b>001-039-XXX</b> System DMI data structure error	1. <b>Flash the system</b> 2. System board
<b>001-040-XXX</b> System IRQ failure	1. <b>Power-off/on system and re-test</b> 2. System board
<b>001-041-XXX</b> System DMA failure	1. <b>Power-off/on system and re-test</b> 2. System board
<b>001-195-XXX</b> System Test aborted by user	1. <b>Information</b> 2. Re-start the test, if need to
<b>001-196-XXX</b> System test halt, error threshold exceeded	1. <b>Depress F3 to review the log file.</b> 2. <b>Re-start the test to reset the log file.</b>
<b>001-197-XXX</b> System test warning	1. <b>Make sure component that is called out is enabled and/or connected</b> 2. Re-run test 3. Component that is called out in warning statement 4. Component under test
<b>001-198-XXX</b> System test aborted	1. <b>If a component is called out, make sure it is enabled and/or connected</b> 2. Flash the system and re-test
<b>001-199-XXX</b> System test failed, cause unknown	1. Flash the system and re-test 2. Replace component under function test.
<b>001-250-XXX</b> System ECC error	1. <b>System board</b>
<b>001-254-XXX</b> <b>001-255-XXX</b> <b>001-256-XXX</b> <b>001-257-XXX</b> System DMA error	1. <b>System board</b>
<b>001-260-XXX</b> <b>001-264-XXX</b> System IRQ error	1. <b>System board</b>
<b>001-268-XXX</b> System IRQ1 failure	1. <b>device on IRQ1</b> 2. System board
<b>001-269-XXX</b> System IRQ2 failure	1. <b>device on IRQ2</b> 2. System board

<b>Diagnostic Error Code</b>	<b>FRU/Action</b>
<b>001-270-XXX</b> System IRQ3 failure	1. <b>device on IRQ3</b> 2. System board
<b>001-271-XXX</b> System IRQ4 failure	1. <b>device on IRQ4</b> 2. System board
<b>001-272-XXX</b> System IRQ5 failure	1. <b>device on IRQ5</b> 2. System board
<b>001-273-XXX</b> System IRQ6 (diskette drive) failure	1. <b>Diskette Cable</b> 2. Diskette drive 3. System board
<b>001-274-XXX</b> System IRQ7 failure	1. <b>device on IRQ7</b> 2. System board
<b>001-275-XXX</b> System IRQ8 failure	1. <b>device on IRQ8</b> 2. System board
<b>001-276-XXX</b> System IRQ9 failure	1. <b>device on IRQ9</b> 2. System board
<b>001-277-XXX</b> System IRQ10 failure	1. <b>device on IRQ10</b> 2. System board
<b>001-278-XXX</b> System IRQ11 failure	1. <b>device on IRQ11</b> 2. System board
<b>001-279-XXX</b> System IRQ12 failure	1. <b>device on IRQ12</b> 2. System board
<b>001-280-XXX</b> System IRQ13 failure	1. <b>device on IRQ13</b> 2. System board
<b>001-281-XXX</b> System IRQ14 (hard disk drive) failure	1. <b>Hard disk drive Cable</b> 2. Hard disk drive 3. System board
<b>001-282-XXX</b> System IRQ15 failure	1. <b>device on IRQ15</b> 2. System board
<b>001-286-XXX</b> <b>001-287-XXX</b> <b>001-288-XXX</b> System Timer failure	1. <b>System board</b>
<b>001-292-XXX</b> System CMOS RAM error	1. <b>Run Setup and re-test</b> 2. System board
<b>001-293-XXX</b> System CMOS Battery	1. <b>Battery</b> 2. System board
<b>001-298-XXX</b> System RTC date/time update failure	1. <b>Flash the system</b> 2. System board
<b>001-299-XXX</b> System RTC periodic interrupt failure	1. <b>System board</b>
<b>001-300-XXX</b> System RTC Alarm failure	1. <b>System board</b>
<b>001-301-XXX</b> System RTC Century byte error	1. <b>Flash the system</b> 2. System board
<b>005-000-XXX</b> Video Test Passed	1. <b>No action</b>

<b>Diagnostic Error Code</b>	<b>FRU/Action</b>
<b>005-00X-XXX</b> Video error	<ol style="list-style-type: none"> <li>1. <b>Video card, if installed</b></li> <li>2. System board</li> </ol>
<b>005-010-XXX</b> <b>005-011-XXX</b> <b>005-012-XXX</b> <b>005-013-XXX</b> Video Signal failure	<ol style="list-style-type: none"> <li>1. <b>Video card, if installed</b></li> <li>2. System board</li> </ol>
<b>005-016-XXX</b> Video Simple Pattern test failure	<ol style="list-style-type: none"> <li>1. <b>Video Ram</b></li> <li>2. Video card, if installed</li> <li>3. System board</li> </ol>
<b>005-024-XXX</b> Video Addressing test failure	<ol style="list-style-type: none"> <li>1. <b>Video card, if installed</b></li> <li>2. System board</li> </ol>
<b>005-025-XXX</b> Video Checksum Value error	<ol style="list-style-type: none"> <li>1. <b>Video card, if installed</b></li> <li>2. System board</li> </ol>
<b>005-027-XXX</b> Video Configuration/Setup error	<ol style="list-style-type: none"> <li>1. <b>Run Setup</b></li> <li>2. Video drivers update</li> <li>3. Video card, if installed</li> <li>4. System board</li> </ol>
<b>005-031-XXX</b> Video Device Cable failure	<ol style="list-style-type: none"> <li>1. <b>Video cable</b></li> <li>2. Monitor</li> <li>3. Video card, if installed</li> <li>4. System board</li> </ol>
<b>005-032-XXX</b> Video Device Controller failure	<ol style="list-style-type: none"> <li>1. <b>Video card, if installed</b></li> <li>2. System board</li> </ol>
<b>005-036-XXX</b> Video Register error	<ol style="list-style-type: none"> <li>1. <b>Video card, if installed</b></li> <li>2. System board</li> </ol>
<b>005-038-XXX</b> System BIOS extension failure	<ol style="list-style-type: none"> <li>1. <b>Video card, if installed</b></li> <li>2. System board</li> </ol>
<b>005-040-XXX</b> Video IRQ failure	<ol style="list-style-type: none"> <li>1. <b>Video card, if installed</b></li> <li>2. System board</li> </ol>
<b>005-195-XXX</b> Video Test aborted by user	<ol style="list-style-type: none"> <li>1. <b>Information</b></li> <li>2. Re-start the test, if need to</li> </ol>
<b>005-196-XXX</b> Video test halt, error threshold exceeded	<ol style="list-style-type: none"> <li>1. <b>Depress F3 to review the log file.</b></li> <li>2. <b>Re-start the test to reset the log file.</b></li> </ol>
<b>005-197-XXX</b> Video test warning	<ol style="list-style-type: none"> <li>1. <b>Make sure component that is called out is enabled and/or connected</b></li> <li>2. Re-run test</li> <li>3. Component that is called out in warning statement</li> <li>4. Component under test</li> </ol>

Diagnostic Error Code	FRU/Action
<b>005-198-XXX</b> Video test aborted	<ol style="list-style-type: none"> <li>1. <b>If a component is called out, make sure it is enabled and/or connected</b></li> <li>2. Flash the system and re-test</li> </ol>
<b>005-199-XXX</b> Video test failed, cause unknown	<ol style="list-style-type: none"> <li>1. Flash the system and re-test</li> <li>2. Replace component under function test.</li> </ol>
<b>005-2XX-XXX</b> <b>005-3XX-XXX</b> Video subsystem error	<ol style="list-style-type: none"> <li>1. <b>Video card, if installed</b></li> <li>2. System board</li> </ol>
<b>006-000-XXX</b> Diskette interface Test Passed	<ol style="list-style-type: none"> <li>1. <b>No action</b></li> </ol>
<b>006-0XX-XXX</b> Diskette interface error	<ol style="list-style-type: none"> <li>1. <b>Diskette drive Cable</b></li> <li>2. Diskette drive</li> <li>3. System board</li> </ol>
<b>006-195-XXX</b> Diskette interface Test aborted by user	<ol style="list-style-type: none"> <li>1. <b>Information</b></li> <li>2. Re-start the test, if need to</li> </ol>
<b>006-196-XXX</b> Diskette interface test halt, error threshold exceeded	<ol style="list-style-type: none"> <li>1. <b>Depress F3 to review the log file. See</b></li> <li>2. <b>Re-start the test to reset the log file.</b></li> </ol>
<b>006-197-XXX</b> Diskette interface test warning	<ol style="list-style-type: none"> <li>1. <b>Make sure component that is called out is enabled and/or connected</b></li> <li>2. Re-run test</li> <li>3. Component that is called out in warning statement</li> <li>4. Component under test</li> </ol>
<b>006-198-XXX</b> Diskette interface test aborted	<ol style="list-style-type: none"> <li>1. <b>If a component is called out, make sure it is enabled and/or connected</b></li> <li>2. Flash the system and re-test</li> </ol>
<b>006-199-XXX</b> Diskette interface test failed, cause unknown	<ol style="list-style-type: none"> <li>1. Flash the system and re-test</li> <li>2. Replace component under function test.</li> </ol>
<b>006-25X-XXX</b> Diskette interface Error	<ol style="list-style-type: none"> <li>1. <b>Diskette drive Cable</b></li> <li>2. Diskette drive</li> <li>3. System board</li> </ol>
<b>011-000-XXX</b> Serial port Interface Test Passed	<ol style="list-style-type: none"> <li>1. <b>No action</b></li> </ol>



Diagnostic Error Code	FRU/Action
<b>011-001-XXX</b> Serial port Presence	<ol style="list-style-type: none"> <li>1. <b>Remove external serial device, if present</b></li> <li>2. Run setup, enable port</li> <li>3. System board</li> </ol>
<b>011-002-XXX</b> <b>011-003-XXX</b> Serial port Timeout/Parity error	<ol style="list-style-type: none"> <li>1. <b>System board</b></li> </ol>
<b>011-013-XXX</b> <b>011-014-XXX</b> Serial port Control Signal/Loopback test failure	<ol style="list-style-type: none"> <li>1. <b>System board</b></li> </ol>
<b>011-015-XXX</b> Serial port External Loopback failure	<ol style="list-style-type: none"> <li>1. <b>Wrap plug</b></li> <li>2. System board</li> </ol>
<b>011-027-XXX</b> Serial port Configuration/Setup error	<ol style="list-style-type: none"> <li>1. <b>Run Setup, enable port</b></li> <li>2. Flash the system</li> <li>3. System board</li> </ol>
<b>011-03X-XXX</b> <b>011-04X-XXX</b> Serial port failure	<ol style="list-style-type: none"> <li>1. <b>System board</b></li> </ol>
<b>011-195-XXX</b> Serial port Test aborted by user	<ol style="list-style-type: none"> <li>1. <b>Information</b></li> <li>2. Re-start the test, if need to</li> </ol>
<b>011-196-XXX</b> Serial port test halt, error threshold exceeded	<ol style="list-style-type: none"> <li>1. <b>Depress F3 to review the log file.</b></li> <li>2. <b>Re-start the test to reset the log file.</b></li> </ol>
<b>011-197-XXX</b> Serial port test warning	<ol style="list-style-type: none"> <li>1. <b>Make sure component that is called out is enabled and/or connected</b></li> <li>2. Re-run test</li> <li>3. Component that is called out in warning statement</li> <li>4. Component under test</li> </ol>
<b>011-198-XXX</b> Serial port test aborted	<ol style="list-style-type: none"> <li>1. <b>If a component is called out, make sure it is enabled and/or connected</b></li> <li>2. Flash the system and re-test</li> </ol>
<b>011-199-XXX</b> Serial port test failed, cause unknown	<ol style="list-style-type: none"> <li>1. Flash the system and re-test</li> <li>2. Replace component under function test.</li> </ol>
<b>011-2XX-XXX</b> Serial port signal failure	<ol style="list-style-type: none"> <li>1. <b>External serial device</b></li> <li>2. System board</li> </ol>

Diagnostic Error Code	FRU/Action
<b>014-000-XXX</b> Parallel port Interface Test Passed	1. <b>No action</b>
<b>014-001-XXX</b> Parallel port Presence	1. <b>Remove external parallel device, if present</b> 2. Run setup, enable port 3. System board
<b>014-002-XXX</b> <b>014-003-XXX</b> Parallel port Timeout/Parity error	1. <b>System board</b>
<b>014-013-XXX</b> <b>014-014-XXX</b> Parallel port Control Signal/Loopback test failure	1. <b>System board</b>
<b>014-015-XXX</b> Parallel port External Loopback failure	1. <b>Wrap plug</b> 2. System board
<b>014-027-XXX</b> Parallel port Configuration/Setup error	1. <b>Run Setup, enable port</b> 2. Flash the system 3. System board
<b>014-03X-XXX</b> <b>014-04X-XXX</b> Parallel port failure	1. <b>System board</b>
<b>014-195-XXX</b> Parallel port Test aborted by user	1. <b>Information</b> 2. Re-start the test, if need to
<b>014-196-XXX</b> Parallel port test halt, error threshold exceeded	1. <b>Depress F3 to review the log file.</b> 2. <b>Re-start the test to reset the log file.</b>
<b>014-197-XXX</b> Parallel port test warning	1. <b>Make sure component that is called out is enabled and/or connected</b> 2. Re-run test 3. Component that is called out in warning statement 4. Component under test
<b>014-198-XXX</b> Parallel port test aborted	1. <b>If a component is called out, make sure it is enabled and/or connected</b> 2. Flash the system and re-test
<b>014-199-XXX</b> Parallel port test failed, cause unknown	1. Flash the system and re-test 2. Replace component under function test.

Diagnostic Error Code	FRU/Action
<b>014-2XX-XXX</b> <b>014-3XX-XXX</b> Parallel port failure	<ol style="list-style-type: none"> <li>1. <b>External parallel device</b></li> <li>2. System board</li> </ol>
<b>015-000-XXX</b> USB port Interface Test Passed	<ol style="list-style-type: none"> <li>1. <b>No action</b></li> </ol>
<b>015-001-XXX</b> USB port Presence	<ol style="list-style-type: none"> <li>1. <b>Remove USB Device(s) and re-test</b></li> <li>2. System board</li> </ol>
<b>015-002-XXX</b> USB port Timeout	<ol style="list-style-type: none"> <li>1. <b>Remove USB Device(s) and re-test</b></li> <li>2. System board</li> </ol>
<b>015-015-XXX</b> USB port External Loopback failure	<ol style="list-style-type: none"> <li>1. <b>Remove USB Device(s) and re-test</b></li> <li>2. System board</li> </ol>
<b>015-027-XXX</b> USB port Configuration/Setup error	<ol style="list-style-type: none"> <li>1. <b>Flash the system</b></li> <li>2. System board</li> </ol>
<b>015-032-XXX</b> USB port Device Controller failure	<ol style="list-style-type: none"> <li>1. <b>System board</b></li> </ol>
<b>015-034-XXX</b> USB port buffer allocation failure	<ol style="list-style-type: none"> <li>1. <b>Reboot the system</b></li> <li>2. Flash the system</li> <li>3. Run memory test</li> <li>4. System board</li> </ol>
<b>015-035-XXX</b> USB port Reset condition detected	<ol style="list-style-type: none"> <li>1. <b>Remove USB Device(s) and re-test</b></li> <li>2. System board</li> </ol>
<b>015-036-XXX</b> USB port Register error	<ol style="list-style-type: none"> <li>1. <b>System board</b></li> </ol>
<b>015-040-XXX</b> USB port IRQ failure	<ol style="list-style-type: none"> <li>1. <b>Run setup and check for conflicts</b></li> <li>2. Flash the system</li> <li>3. System board</li> </ol>
<b>015-195-XXX</b> USB port Test aborted by user	<ol style="list-style-type: none"> <li>1. <b>Information</b></li> <li>2. Re-start the test, if need to</li> </ol>
<b>015-196-XXX</b> USB port test halt, error threshold exceeded	<ol style="list-style-type: none"> <li>1. <b>Depress F3 to review the log file.</b></li> <li>2. <b>Re-start the test to reset the log file.</b></li> </ol>
<b>015-197-XXX</b> USB port test warning	<ol style="list-style-type: none"> <li>1. <b>Make sure component that is called out is enabled and/or connected</b></li> <li>2. Re-run test</li> <li>3. Component that is called out in warning statement</li> <li>4. Component under test</li> </ol>

Diagnostic Error Code	FRU/Action
<b>015-198-XXX</b> USB port test aborted	<ol style="list-style-type: none"> <li>1. <b>If a component is called out, make sure it is enabled and/or connected</b></li> <li>2. Flash the system and re-test</li> </ol>
<b>015-199-XXX</b> USB port test failed, cause unknown	<ol style="list-style-type: none"> <li>1. Flash the system and re-test</li> <li>2. Replace component under function test.</li> </ol>
<b>018-000-XXX</b> PCI Card Test Passed	<ol style="list-style-type: none"> <li>1. <b>No action</b></li> </ol>
<b>018-0XX-XXX</b> PCI Card Failure	<ol style="list-style-type: none"> <li>1. <b>PCI card</b></li> <li>2. Riser card, if installed</li> <li>3. System board</li> </ol>
<b>018-195-XXX</b> PCI Card Test aborted by user	<ol style="list-style-type: none"> <li>1. <b>Information</b></li> <li>2. Re-start the test, if need to</li> </ol>
<b>018-196-XXX</b> PCI Card test halt, error threshold exceeded	<ol style="list-style-type: none"> <li>1. <b>Depress F3 to review the log file.</b></li> <li>2. <b>Re-start the test to reset the log file.</b></li> </ol>
<b>018-197-XXX</b> PCI Card test warning	<ol style="list-style-type: none"> <li>1. <b>Make sure component that is called out is enabled and/or connected</b></li> <li>2. Re-run test</li> <li>3. Component that is called out in warning statement</li> <li>4. Component under test</li> </ol>
<b>018-198-XXX</b> PCI Card test aborted	<ol style="list-style-type: none"> <li>1. <b>If a component is called out, make sure it is enabled and/or connected</b></li> <li>2. Flash the system and re-test</li> </ol>
<b>018-199-XXX</b> PCI Card test failed, cause unknown	<ol style="list-style-type: none"> <li>1. Flash the system and re-test</li> <li>2. Replace component under function test.</li> </ol>
<b>018-250-XXX</b> PCI Card Services error	<ol style="list-style-type: none"> <li>1. <b>PCI card</b></li> <li>2. Riser card, if installed</li> <li>3. System board</li> </ol>
<b>020-000-XXX</b> PCI Interface Test Passed	<ol style="list-style-type: none"> <li>1. <b>No action</b></li> </ol>
<b>020-0XX-XXX</b> PCI Interface error	<ol style="list-style-type: none"> <li>1. <b>PCI card</b></li> <li>2. Riser card, if installed</li> <li>3. System board</li> </ol>
<b>020-195-XXX</b> PCI Test aborted by user	<ol style="list-style-type: none"> <li>1. <b>Information</b></li> <li>2. Re-start the test, if need to</li> </ol>

Diagnostic Error Code	FRU/Action
<b>020-196-XXX</b> PCI test halt, error threshold exceeded	<ol style="list-style-type: none"> <li>1. <b>Depress F3 to review the log file.</b></li> <li>2. <b>Re-start the test to reset the log file.</b></li> </ol>
<b>020-197-XXX</b> PCI test warning	<ol style="list-style-type: none"> <li>1. <b>Make sure component that is called out is enabled and/or connected</b></li> <li>2. Re-run test</li> <li>3. Component that is called out in warning statement</li> <li>4. Component under test</li> </ol>
<b>020-198-XXX</b> PCI test aborted	<ol style="list-style-type: none"> <li>1. <b>If a component is called out, make sure it is enabled and/or connected</b></li> <li>2. Flash the system and re-test</li> </ol>
<b>020-199-XXX</b> PCI test failed, cause unknown	<ol style="list-style-type: none"> <li>1. Flash the system and re-test</li> <li>2. Replace component under function test.</li> </ol>
<b>020-262-XXX</b> PCI system error	<ol style="list-style-type: none"> <li>1. <b>PCI card</b></li> <li>2. Riser card, if installed</li> <li>3. System board</li> </ol>
<b>025-000-XXX</b> IDE interface Test Passed	<ol style="list-style-type: none"> <li>1. <b>No action</b></li> </ol>
<b>025-00X-XXX</b> <b>025-01X-XXX</b> IDE interface failure	<ol style="list-style-type: none"> <li>1. <b>IDE signal cable</b></li> <li>2. Check power supply</li> <li>3. IDE device</li> <li>4. System board</li> </ol>
<b>025-027-XXX</b> IDE interface Configuration/Setup error	<ol style="list-style-type: none"> <li>1. <b>IDE signal cable</b></li> <li>2. Flash the system</li> <li>3. IDE device</li> <li>4. System board</li> </ol>
<b>025-02X-XXX</b> <b>025-03X-XXX</b> <b>025-04X-XXX</b> IDE Interface failure	<ol style="list-style-type: none"> <li>1. <b>IDE signal cable</b></li> <li>2. Check power supply</li> <li>3. IDE device</li> <li>4. System board</li> </ol>
<b>025-195-XXX</b> IDE interface Test aborted by user	<ol style="list-style-type: none"> <li>1. <b>Information</b></li> <li>2. Re-start the test, if need to</li> </ol>
<b>025-196-XXX</b> IDE interface test halt, error threshold exceeded	<ol style="list-style-type: none"> <li>1. <b>Depress F3 to review the log file.</b></li> <li>2. <b>Re-start the test to reset the log file.</b></li> </ol>

Diagnostic Error Code	FRU/Action
<b>025-197-XXX</b> IDE interface test warning	<ol style="list-style-type: none"> <li>1. <b>Make sure component that is called out is enabled and/or connected</b></li> <li>2. Re-run test</li> <li>3. Component that is called out in warning statement</li> <li>4. Component under test</li> </ol>
<b>025-198-XXX</b> IDE interface test aborted	<ol style="list-style-type: none"> <li>1. <b>If a component is called out, make sure it is enabled and/or connected</b></li> <li>2. Flash the system and re-test</li> </ol>
<b>025-199-XXX</b> IDE interface test failed, cause unknown	<ol style="list-style-type: none"> <li>1. Flash the system and re-test</li> <li>2. Replace component under function test.</li> </ol>
<b>030-000-XXX</b> SCSI interface Test Passed	<ol style="list-style-type: none"> <li>1. <b>No action</b></li> </ol>
<b>030-00X-XXX</b> <b>030-01X-XXX</b> SCSI interface failure	<ol style="list-style-type: none"> <li>1. <b>SCSI signal cable</b></li> <li>2. Check power supply</li> <li>3. SCSI device</li> <li>4. SCSI adapter card, if installed</li> <li>5. System board</li> </ol>
<b>030-027-XXX</b> SCSI interface Configuration/Setup error	<ol style="list-style-type: none"> <li>1. <b>SCSI signal cable</b></li> <li>2. Flash the system</li> <li>3. SCSI device</li> <li>4. SCSI adapter card, if installed</li> <li>5. System board</li> </ol>
<b>030-03X-XXX</b> <b>030-04X-XXX</b> SCSI interface error	<ol style="list-style-type: none"> <li>1. <b>SCSI signal cable</b></li> <li>2. Check power supply</li> <li>3. SCSI device</li> <li>4. SCSI adapter card, if installed</li> <li>5. System board</li> </ol>
<b>030-195-XXX</b> SCSI interface Test aborted by user	<ol style="list-style-type: none"> <li>1. <b>Information</b></li> <li>2. Re-start the test, if need to</li> </ol>
<b>030-196-XXX</b> SCSI interface test halt, error threshold exceeded	<ol style="list-style-type: none"> <li>1. <b>Depress F3 to review the log file.</b></li> <li>2. <b>Re-start the test to reset the log file.</b></li> </ol>
<b>030-197-XXX</b> SCSI interface test warning	<ol style="list-style-type: none"> <li>1. <b>Make sure component that is called out is enabled and/or connected</b></li> <li>2. Re-run test</li> <li>3. Component that is called out in warning statement</li> <li>4. Component under test</li> </ol>

Diagnostic Error Code	FRU/Action
<b>030-198-XXX</b> SCSI interface test aborted	<ol style="list-style-type: none"> <li>1. <b>If a component is called out, make sure it is enabled and/or connected</b></li> <li>2. Flash the system and re-test</li> </ol>
<b>030-199-XXX</b> SCSI interface test failed, cause unknown	<ol style="list-style-type: none"> <li>1. Flash the system and re-test</li> <li>2. Replace component under function test.</li> </ol>
<b>035-000-XXX</b> RAID interface Test Passed	<ol style="list-style-type: none"> <li>1. <b>No action</b></li> </ol>
<b>035-0XX-XXX</b> RAID interface Failure	<ol style="list-style-type: none"> <li>1. <b>RAID signal cable</b></li> <li>2. RAID device</li> <li>3. RAID adapter card, if installed</li> <li>4. System board</li> </ol>
<b>035-195-XXX</b> RAID interface Test aborted by user	<ol style="list-style-type: none"> <li>1. <b>Information</b></li> <li>2. Re-start the test, if need to</li> </ol>
<b>035-196-XXX</b> RAID interface test halt, error threshold exceeded	<ol style="list-style-type: none"> <li>1. <b>Depress F3 to review the log file.</b></li> <li>2. <b>Re-start the test to reset the log file.</b></li> </ol>
<b>035-197-XXX</b> RAID interface test warning	<ol style="list-style-type: none"> <li>1. <b>Make sure component that is called out is enabled and/or connected</b></li> <li>2. Re-run test</li> <li>3. Component that is called out in warning statement</li> <li>4. Component under test</li> </ol>
<b>035-198-XXX</b> RAID interface test aborted	<ol style="list-style-type: none"> <li>1. <b>If a component is called out, make sure it is enabled and/or connected</b></li> <li>2. Flash the system and re-test</li> </ol>
<b>035-199-XXX</b> RAID interface test failed, cause unknown	<ol style="list-style-type: none"> <li>1. Flash the system and re-test</li> <li>2. Replace component under function test.</li> </ol>
<b>071-000-XXX</b> Audio port Interface Test Passed	<ol style="list-style-type: none"> <li>1. <b>No action</b></li> </ol>
<b>071-00X-XXX</b> <b>071-01X-XXX</b> <b>071-02X-XXX</b> Audio port error	<ol style="list-style-type: none"> <li>1. <b>Run Setup</b></li> <li>2. Flash the system</li> <li>3. System board</li> </ol>
<b>071-03X-XXX</b> Audio port failure	<ol style="list-style-type: none"> <li>1. <b>Speakers</b></li> <li>2. Microphone</li> <li>3. Audio card, if installed</li> <li>4. System board</li> </ol>

Diagnostic Error Code	FRU/Action
<b>071-04X-XXX</b> Audio port failure	<ol style="list-style-type: none"> <li>1. <b>Run Setup</b></li> <li>2. Audio card, if installed</li> <li>3. System board</li> </ol>
<b>071-195-XXX</b> Audio port Test aborted by user	<ol style="list-style-type: none"> <li>1. <b>Information</b></li> <li>2. Re-start the test, if need to</li> </ol>
<b>071-196-XXX</b> Audio port test halt, error threshold exceeded	<ol style="list-style-type: none"> <li>1. <b>Depress F3 to review the log file.</b></li> <li>2. <b>Re-start the test to reset the log file.</b></li> </ol>
<b>071-197-XXX</b> Audio port test warning	<ol style="list-style-type: none"> <li>1. <b>Make sure component that is called out is enabled and/or connected</b></li> <li>2. Re-run test</li> <li>3. Component that is called out in warning statement</li> <li>4. Component under test</li> </ol>
<b>071-198-XXX</b> Audio port test aborted	<ol style="list-style-type: none"> <li>1. <b>If a component is called out, make sure it is enabled and/or connected</b></li> <li>2. Flash the system and re-test</li> </ol>
<b>071-199-XXX</b> Audio port test failed, cause unknown	<ol style="list-style-type: none"> <li>1. Flash the system and re-test</li> <li>2. Replace component under function test.</li> </ol>
<b>071-25X-XXX</b> Audio port failure	<ol style="list-style-type: none"> <li>1. <b>Speakers</b></li> <li>2. Audio card, if installed</li> <li>3. System board</li> </ol>
<b>080-000-XXX</b> Game Port interface Test Passed	<ol style="list-style-type: none"> <li>1. <b>No action</b></li> </ol>
<b>080-XXX-XXX</b> Game Port interface Error	<ol style="list-style-type: none"> <li>1. <b>Remove the game port device and re-test the system</b></li> </ol>
<b>080-195-XXX</b> Game Port interface Test aborted by user	<ol style="list-style-type: none"> <li>1. <b>Information</b></li> <li>2. Re-start the test, if need to</li> </ol>
<b>080-196-XXX</b> Game Port interface test halt, error threshold exceeded	<ol style="list-style-type: none"> <li>1. <b>Depress F3 to review the log file.</b></li> <li>2. <b>Re-start the test to reset the log file.</b></li> </ol>
<b>080-197-XXX</b> Game Port interface test warning	<ol style="list-style-type: none"> <li>1. <b>Make sure component that is called out is enabled and/or connected</b></li> <li>2. Re-run test</li> <li>3. Component that is called out in warning statement</li> <li>4. Component under test</li> </ol>



Diagnostic Error Code	FRU/Action
<b>080-198-XXX</b> Game Port interface test aborted	<ol style="list-style-type: none"> <li>1. <b>If a component is called out, make sure it is enabled and/or connected</b></li> <li>2. Flash the system and re-test</li> </ol>
<b>080-199-XXX</b> Game Port interface test failed, cause unknown	<ol style="list-style-type: none"> <li>1. Flash the system and re-test</li> <li>2. Replace component under function test.</li> </ol>
<b>086-000-XXX</b> Mouse Port interface Test Passed	<ol style="list-style-type: none"> <li>1. <b>No action</b></li> </ol>
<b>086-001-XXX</b> Mouse Port interface Presence	<ol style="list-style-type: none"> <li>1. <b>Mouse</b></li> <li>2. System board</li> </ol>
<b>086-032-XXX</b> Mouse Port interface Device controller failure	<ol style="list-style-type: none"> <li>1. <b>Mouse</b></li> <li>2. System board</li> </ol>
<b>086-035-XXX</b> Mouse Port interface Reset	<ol style="list-style-type: none"> <li>1. <b>Mouse</b></li> <li>2. System board</li> </ol>
<b>086-040-XXX</b> Mouse Port interface IRQ failure	<ol style="list-style-type: none"> <li>1. <b>Run Setup</b></li> <li>2. Mouse</li> <li>3. System board</li> </ol>
<b>086-195-XXX</b> Mouse Port interface Test aborted by user	<ol style="list-style-type: none"> <li>1. <b>Information</b></li> <li>2. Re-start the test, if need to</li> </ol>
<b>086-196-XXX</b> Mouse Port interface test halt, error threshold exceeded	<ol style="list-style-type: none"> <li>1. <b>Depress F3 to review the log file.</b></li> <li>2. <b>Re-start the test to reset the log file.</b></li> </ol>
<b>086-197-XXX</b> Mouse Port interface test warning	<ol style="list-style-type: none"> <li>1. <b>Make sure component that is called out is enabled and/or connected</b></li> <li>2. Re-run test</li> <li>3. Component that is called out in warning statement</li> <li>4. Component under test</li> </ol>
<b>086-198-XXX</b> Mouse Port interface test aborted	<ol style="list-style-type: none"> <li>1. <b>If a component is called out, make sure it is enabled and/or connected</b></li> <li>2. Flash the system and re-test</li> </ol>
<b>086-199-XXX</b> Mouse Port interface test failed, cause unknown	<ol style="list-style-type: none"> <li>1. Flash the system and re-test</li> <li>2. Replace component under function test.</li> </ol>
<b>089-000-XXX</b> Microprocessor Test Passed	<ol style="list-style-type: none"> <li>1. <b>No action</b></li> </ol>

Diagnostic Error Code	FRU/Action
<b>089-XXX-XXX</b> Microprocessor failure	<ol style="list-style-type: none"> <li>1. <b>Microprocessor(s)</b></li> <li>2. System board</li> </ol>
<b>089-195-XXX</b> Microprocessor Test aborted by user	<ol style="list-style-type: none"> <li>1. <b>Information</b></li> <li>2. Re-start the test, if need to</li> </ol>
<b>089-196-XXX</b> Microprocessor test halt, error threshold exceeded	<ol style="list-style-type: none"> <li>1. <b>Depress F3 to review the log file.</b></li> <li>2. <b>Re-start the test to reset the log file.</b></li> </ol>
<b>089-197-XXX</b> Microprocessor test warning	<ol style="list-style-type: none"> <li>1. <b>Make sure component that is called out is enabled and/or connected</b></li> <li>2. Re-run test</li> <li>3. Component that is called out in warning statement</li> <li>4. Component under test</li> </ol>
<b>089-198-XXX</b> Microprocessor test aborted	<ol style="list-style-type: none"> <li>1. <b>If a component is called out, make sure it is enabled and/or connected</b></li> <li>2. Flash the system and re-test</li> </ol>
<b>089-199-XXX</b> Microprocessor test failed, cause unknown	<ol style="list-style-type: none"> <li>1. Flash the system and re-test</li> <li>2. Replace component under function test.</li> </ol>
<b>170-000-XXX</b> Voltage Sensor(s) Test Passed	<ol style="list-style-type: none"> <li>1. <b>No action</b></li> </ol>
<b>170-0XX-XXX</b> Voltage Sensor(s) failure	<ol style="list-style-type: none"> <li>1. <b>Flash system</b></li> <li>2. System board</li> </ol>
<b>170-195-XXX</b> Voltage Sensor(s) Test aborted by user	<ol style="list-style-type: none"> <li>1. <b>Information</b></li> <li>2. Re-start the test, if need to</li> </ol>
<b>170-196-XXX</b> Voltage Sensor(s) test halt, error threshold exceeded	<ol style="list-style-type: none"> <li>1. <b>Depress F3 to review the log file.</b></li> <li>2. <b>Re-start the test to reset the log file.</b></li> </ol>
<b>170-197-XXX</b> Voltage Sensor(s) test warning	<ol style="list-style-type: none"> <li>1. <b>Make sure component that is called out is enabled and/or connected</b></li> <li>2. Re-run test</li> <li>3. Component that is called out in warning statement</li> <li>4. Component under test</li> </ol>

Diagnostic Error Code	FRU/Action
<b>170-198-XXX</b> Voltage Sensor(s) test aborted	<ol style="list-style-type: none"> <li>1. <b>If a component is called out, make sure it is enabled and/or connected</b></li> <li>2. Flash the system and re-test</li> </ol>
<b>170-199-XXX</b> Voltage Sensor(s) test failed, cause unknown	<ol style="list-style-type: none"> <li>1. Flash the system and re-test</li> <li>2. Replace component under function test.</li> </ol>
<b>170-250-XXX</b> <b>170-251-XXX</b> Voltage Sensor(s) Voltage limit error	<ol style="list-style-type: none"> <li>1. <b>Power supply</b></li> <li>2. System board</li> </ol>
<b>170-254-XXX</b> Voltage Sensor(s) Voltage Regulator Module error	<ol style="list-style-type: none"> <li>1. <b>Voltage Regulator Module (VRM)</b></li> <li>2. Microprocessor</li> <li>3. System board</li> </ol>
<b>175-000-XXX</b> Thermal Sensor(s) Test Passed	<ol style="list-style-type: none"> <li>1. <b>No action</b></li> </ol>
<b>175-0XX-XXX</b> Thermal Sensor(s) failure	<ol style="list-style-type: none"> <li>1. <b>Flash system</b></li> <li>2. System board</li> </ol>
<b>175-195-XXX</b> Thermal Sensor(s) Test aborted by user	<ol style="list-style-type: none"> <li>1. <b>Information</b></li> <li>2. Re-start the test, if need to</li> </ol>
<b>175-196-XXX</b> Thermal Sensor(s) test halt, error threshold exceeded	<ol style="list-style-type: none"> <li>1. <b>Depress F3 to review the log file.</b></li> <li>2. <b>Re-start the test to reset the log file.</b></li> </ol>
<b>175-197-XXX</b> Thermal Sensor(s) test warning	<ol style="list-style-type: none"> <li>1. <b>Make sure component that is called out is enabled and/or connected</b></li> <li>2. Re-run test</li> <li>3. Component that is called out in warning statement</li> <li>4. Component under test</li> </ol>
<b>175-198-XXX</b> Thermal Sensor(s) test aborted	<ol style="list-style-type: none"> <li>1. <b>If a component is called out, make sure it is enabled and/or connected</b></li> <li>2. Flash the system and re-test</li> </ol>
<b>175-199-XXX</b> Thermal Sensor(s) test failed, cause unknown	<ol style="list-style-type: none"> <li>1. Flash the system and re-test</li> <li>2. Replace component under function test.</li> </ol>
<b>175-250-XXX</b> <b>175-251-XXX</b> Thermal Sensor(s) limit error	<ol style="list-style-type: none"> <li>1. <b>Check fans</b></li> <li>2. Check Power supply</li> <li>3. Microprocessor</li> <li>4. System board</li> </ol>

<b>Diagnostic Error Code</b>	<b>FRU/Action</b>
<b>185-000-XXX</b> Asset Security Test Passed	1. <b>No action</b>
<b>185-XXX-XXX</b> Asset Security failure	1. <b>Assure Asset Security Enabled</b> 2. Flash system 3. System board
<b>185-278-XXX</b> Asset Security Chassis Intrusion	1. <b>C2 Cover Switch</b> 2. System board
<b>201-000-XXX</b> System Memory Test Passed	1. <b>No action</b>
<b>201-XXX-XXX</b> System Memory error	1. <b>Replace the memory module called out by the test</b> 2. System board
<b>202-000-XXX</b> System Cache Test Passed	1. <b>No action</b>
<b>202-XXX-XXX</b> System Cache error	1. <b>Cache, if removable</b> 2. System board 3. Microprocessor
<b>206-000-XXX</b> Diskette Drive Test Passed	1. <b>No action</b>
<b>206-XXX-XXX</b> Diskette Drive error	1. <b>Diskette Drive Cable</b> 2. Check power supply voltages 3. Diskette drive 4. System board
<b>215-000-XXX</b> CD-ROM Drive Test Passed	1. <b>No action</b>
<b>215-XXX-XXX</b> CD-ROM Drive error	1. <b>CD-ROM Drive Cable</b> 2. Check power supply voltages 3. CD-ROM drive 4. System board
<b>217-000-XXX</b> Hard Disk Drive Test Passed	1. <b>No action</b>
<b>217-25X-XXX</b> <b>217-26X-XXX</b> Hard Disk Drive (IDE) error	1. <b>Hard Disk Drive Cable</b> 2. Check power supply voltages 3. Hard Disk drive (IDE) 4. System board
<b>217-28X-XXX</b> <b>217-29X-XXX</b> Hard Disk Drive (SCSI) error	1. <b>Hard Disk Drive Cable</b> 2. Check power supply voltages 3. Hard Disk drive (SCSI) 4. SCSI adapter card 5. System board

<b>Diagnostic Error Code</b>	<b>FRU/Action</b>
<b>220-000-XXX</b> Hi-Capacity Cartridge Drive Test Passed	1. <b>No action</b>
<b>220-XXX-XXX</b> Hi-Capacity Cartridge Drive error	1. <b>Remove the Hi-Capacity Cartridge Drive and re-test the system</b>
<b>301-000-XXX</b> Keyboard Test Passed	1. <b>No action</b>
<b>301-XXX-XXX</b> Keyboard error	1. <b>Keyboard</b> 2. Check and test Mouse 3. System board
<b>302-000-XXX</b> Mouse Test Passed	1. <b>No action</b>
<b>302-XXX-XXX</b> Mouse error	1. <b>Mouse</b> 2. Check and test Keyboard 3. System board
<b>303-000-XXX</b> Joystick Test Passed	1. <b>No action</b>
<b>303-XXX-XXX</b> Joystick error	1. <b>Remove the Joystick and re-test the system</b>
<b>305-000-XXX</b> Monitor DDC Test Passed	1. <b>No action</b>
<b>305-250-XXX</b> Monitor DDC self test failure	1. <b>Run Setup to enable DDC</b> 2. Cable 3. Monitor 4. Video card 5. System board
<b>415-000-XXX</b> Modem Test Passed	1. <b>No action</b>
<b>415-XXX-XXX</b> Modem error	1. <b>Remove the Modem and re-test the system</b>



---

## PC 300 - 6268/6278/6288/6338 Aptiva - 2173

This section contains the general checkout procedures, additional service information, computer exploded view, Symptom-to-FRU indexes, undetermined problem, model tables, and parts listings for the IBM PC 300, type 6268/6278/6288/6338 and Aptiva, type 2173 computer.

### Note

Service information is the same for types 6268, 6278, 6288/6338, and 2173 computers, unless specifically identified as type 6288/6338 which is the desktop computer.

### Note

This manual and the diagnostic tests are intended to test **only** IBM products. Non-IBM products of any kind including adapter cards, accelerator boards, options, or non-IBM devices, can give false errors and invalid computer responses. If you remove a non-IBM device and the symptom goes away, the problem is with the device you removed.

General checkout . . . . .	24
Module test menu and hardware configuration	
report . . . . .	27
Keyboard . . . . .	28
Printer . . . . .	28
Power supply . . . . .	29
20-pin main power supply connection . . . . .	30
Display . . . . .	31
Diagnostics and test information . . . . .	32
Power-on self-test (POST) . . . . .	32
POST beep codes . . . . .	32
Error code format . . . . .	33
IBM PC Enhanced Diagnostics . . . . .	34
Starting the IBM PC Enhanced Diagnostics	
Program . . . . .	34
Navigating through the diagnostic programs . . . . .	34
Running diagnostic tests . . . . .	35
Test selection . . . . .	35
IBM Advanced Memory Diagnostics . . . . .	35
Alert On LAN test . . . . .	36
Asset ID test . . . . .	36
Test results . . . . .	36
Hard file Smart test . . . . .	37
IBM Fixed Disk Optimized Test . . . . .	37
Quick and Full erase - hard drive . . . . .	38
Iomega Zip Drive Test . . . . .	38
Asset EEPROM backup . . . . .	38
Viewing the test log . . . . .	39

SIMM/DIMM memory errors . . . . .	39
Setup Utility program . . . . .	41
Hard disk drive boot error . . . . .	41
When to use the Low-Level Format program . . . . .	42
Preparing the hard disk drive for use . . . . .	42
Product description . . . . .	43
Specifications Type 6268/6278/2173 . . . . .	45
Specifications Type 6288/6338 . . . . .	46
Additional service information . . . . .	47
Replacing a processor . . . . .	47
Replacing a system board . . . . .	48
Security features . . . . .	48
Passwords . . . . .	48
Power-on password . . . . .	49
Administrator password . . . . .	50
Administrator password control . . . . .	50
Operating system password . . . . .	50
Vital product data . . . . .	50
Management Information Format (MIF) . . . . .	50
Alert on LAN . . . . .	51
Universal Management Agent (UMA) . . . . .	51
UMA major components . . . . .	52
System monitors . . . . .	52
Resource utilization . . . . .	52
Advanced management tools . . . . .	52
Inventory data . . . . .	52
Configuration and diagnostics . . . . .	53
Accessing UMA . . . . .	53
To access UMA on a local computer . . . . .	53
To access UMA on a remote computer . . . . .	53
Hard disk drive jumper settings . . . . .	54
IDE hard disk drive settings . . . . .	54
CD-ROM drive jumper settings . . . . .	55
BIOS levels . . . . .	56
Flash (BIOS/VPD) update procedure . . . . .	57
Flash recovery boot block jumper . . . . .	57
Power management . . . . .	58
Automatic configuration and power interface (ACPI) BIOS . . . . .	58
Advanced Power Management . . . . .	58
Automatic Hardware Power Management features . . . . .	58
Setting Automatic Hardware Power Management features . . . . .	59
Automatic Power-On features . . . . .	59
Network settings . . . . .	60
Flash over LAN (update POST/BIOS over network) . . . . .	60
Wake on LAN . . . . .	61
System board memory . . . . .	62
Computer exploded view (Type 6268/6278/2173) . . . . .	63
Input/Output connectors . . . . .	64
Cover removal . . . . .	65
Front bezel . . . . .	66
EMC shield . . . . .	66



CD-ROM drive removal . . . . .	67
Front panel . . . . .	68
ZIP drive removal . . . . .	69
Hard drive removal . . . . .	69
HD/fan/speaker bracket removal . . . . .	70
Power supply removal . . . . .	71
Computer exploded view (Type 6288/6338) . . . . .	72
Input/Output connectors . . . . .	73
Cover removal . . . . .	74
Front panel . . . . .	75
Front bezel . . . . .	76
EMC shield . . . . .	76
Diskette/hard drive bracket . . . . .	76
CD-ROM drive removal . . . . .	77
Power supply removal . . . . .	78
System board . . . . .	79
System board locations . . . . .	80
System board jumper settings . . . . .	81
Symptom-to-FRU index . . . . .	82
Beep symptoms . . . . .	83
No beep symptoms . . . . .	84
POST error codes . . . . .	86
Error messages . . . . .	101
Miscellaneous error messages . . . . .	107
Undetermined problem . . . . .	110
Model tables - Country/Region/Language . . . . .	111
Type/Model configuration tables (6268/6278/6288/6338) . . . . .	112
Parts (Type 6268/6278/2173) . . . . .	119
Parts listing . . . . .	120
Parts (Type 6288/6338) . . . . .	122
Parts listing . . . . .	123
Special tools . . . . .	125

---

## General checkout

This general checkout procedure is for Type 6268/6278/6288/6338/2173 computers.

### Attention

The drives in the computer you are servicing might have been rearranged or the drive startup sequence changed. Be extremely careful during write operations such as copying, saving, or formatting. Data or programs can be overwritten if you select an incorrect drive.

Diagnostic error messages appear when a test program finds a problem with a hardware option. For the test programs to properly determine if a test *Passed*, *Failed*, or *Aborted*, the test programs check the error-return code at test completion. See "IBM PC Enhanced Diagnostics" on page 34.

General error messages appear if a problem or conflict is found by an application program, the operating system, or both. For an explanation of these messages, refer to the information supplied with that software package.

### Notes

1. Before replacing any FRUs, ensure the latest level of BIOS is installed on the system. A down-level BIOS might cause false errors and unnecessary replacement of the system board. For more information on how to determine and obtain the latest level BIOS, see "BIOS levels" on page 56.
2. If multiple error codes are displayed, diagnose the first error code displayed.
3. If the computer hangs with a POST error, go to "Symptom-to-FRU index" on page 82.
4. If the computer hangs and no error is displayed, go to "Undetermined problem" on page 110.
5. If an installed device is not recognized by the diagnostics program, that device might be defective.

The power-on default is quick bring-up. To enable Enhanced bring-up, select the **Start Options** in the Configuration/Setup Utility program (see "Setup Utility program" on page 41) then, enable **Power On Status**.

### 001

- Power-off the computer and all external devices.
- Check all cables and power cords.
- Make sure the system board is seated properly.
- Set all display controls to the middle position.

(Step **001** continues)

**001** (continued)

- Insert the IBM PC Enhanced Diagnostics diskette into drive A.
- Power-on all external devices.
- Power-on the computer.
- Check for the following response:
  1. Readable instructions or the Main Menu.

**Note**

Type 6268/6278/6288/6338/2173 computers default to come up quiet (No beep and no memory count and checkpoint code display) when no errors are detected by POST.

To enable Beep and memory count and checkpoint code display when a successful POST occurs:

- Enable **Power on Status** in setup. See “Setup Utility program” on page 41.

**DID YOU RECEIVE THE CORRECT RESPONSE?**

Yes No

**002**

If the Power Management feature is enabled, do the following:

1. Start the Configuration/Setup Utility program (see “Setup Utility program” on page 41)
2. Select **Power Management** from the Configuration/Setup Utility program menu.
3. Select **APM**
4. Be sure **APM BIOS Mode** is set to **Disabled**. If it is not, press Left Arrow (←) or Right Arrow (→) to change the setting.
5. Select **Automatic Hardware Power Management**.
6. Set **Automatic Hardware Power Management** to **Disabled**.

– or –

Go to the “IBM PC Enhanced Diagnostics” on page 34.

**003**

Run the IBM PC Enhanced Diagnostics test. If necessary, refer to “Diagnostics and test information” on page 32.

- If you receive an error, replace the part that the diagnostic program calls out or go to “IBM PC Enhanced Diagnostics” on page 34.
- If the test stops and you cannot continue, replace the last device tested.
- If the computer has incorrect keyboard responses, go to “Keyboard” on page 28.

(Step **003** continues)

(CONTINUED)

**003** (continued)

- If the printer has incorrect responses, go to "Printer" on page 28.
  - If the display has problems such as jittering, rolling, shifting, or being out of focus, go to "Display" on page 31.
-

## Module test menu and hardware configuration report

Depending on the diagnostics version level you are using, the installed devices in the computer are verified in one of two ways:

1. At the start of the diagnostic tests, the Module Test Menu is displayed. Normally, all installed devices in the computer are highlighted on the menu.
2. At the start of the diagnostic tests, the main menu appears. From this menu, select **System Info** then select **Hardware Configuration** from the next menu. Normally, all installed devices in the computer are highlighted on this report.

If an installed device is not recognized by the diagnostics program:

- The diagnostic code for the device is not on the diagnostic diskette. Run the diagnostics provided with that device.
- The missing device is defective or it requires an additional diskette or service manual.
- An unrecognizable device is installed.
- A defective device is causing another device not to be recognized.
- The SCSI controller failed (on the system board or SCSI adapter).
- Use the procedure in "Undetermined problem" on page 110 to find the problem.

If a device is missing from the list, replace it. If this does not correct the problem, use the procedure in "Undetermined problem" on page 110.

## Keyboard

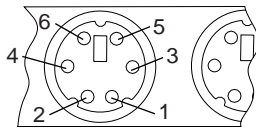
### Note

If a mouse or other pointing device is attached, remove it to see if the error symptom goes away. If the symptom goes away, the mouse or pointing device is defective.

001

- Power-off the computer.
- Disconnect the keyboard cable from the system unit.
- Power-on the computer and check the keyboard cable connector on the system unit for the voltages shown. All voltages are  $\pm 5\%$ .

Pin	Voltage (Vdc)
1	+5.0
2	Not Used
3	Ground
4	+5.0
5	+5.0
6	Not Used



### ARE THE VOLTAGES CORRECT?

Yes No

002

Replace the system board.

003

On keyboards with a detachable cable, replace the cable. If the problem remains or if the cable is permanently attached to the keyboard, replace the keyboard. If the problem remains, replace the system board.

## Printer

1. Make sure the printer is properly connected and powered on.
2. Run the printer self-test.

If the printer self-test does not run correctly, the problem is in the printer. Refer to the printer service manual.

If the printer self-test runs correctly, install a wrap plug in the parallel port and run the diagnostic tests to determine which FRU failed.

If the diagnostic tests (with the wrap plug installed) do not detect a failure, replace the printer cable. If that does not correct the problem, replace the system board or adapter connected to the printer cable.

## Power supply

If the power-on indicator is not on, the power-supply fan is not running, or the computer will not power-off, do the following.

Check/Verify	FRU/Action
1. Verify that the voltage-selector switch is set for the correct voltage.	<b>Correct the voltage-selector switch setting.</b>
2. Check the following for proper installation. <ul style="list-style-type: none"><li>• Power Cord</li><li>• On/Off Switch connector</li><li>• On/Off Switch Power Supply connector</li><li>• System Board Power Supply connectors</li><li>• microprocessor(s) connection</li></ul>	<b>Reseat</b>
3. Check the power cord for proper continuity.	<b>Power Cord</b>
4. Check the power-on switch for continuity.	<b>Power-on Switch</b>

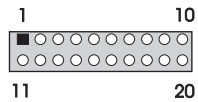
If the above are correct, check the following voltages.

## 20-pin main power supply connection

See "System board" on page 79 for connector location.

### Attention

These voltages must be checked with the power supply cables connected to the system board.



Pin	Signal	Function
1	3.3 V	+3.3 V dc
2	3.3 V	+3.3 V dc
3	COM	Ground
4	5 V	+5 V dc
5	COM	Ground
6	5 V	+5 V dc
7	COM	Ground
8	POK	Power Good
9	5VSB	Standby Voltage
10	12 V	+12 V dc
11	3.3 V	+3.3 V dc
12	-12 V	-12 V dc
13	COM	Ground
14	PS-ON	DC Remote Enable
15	COM	Ground
16	COM	Ground
17	COM	Ground
18	not used	not used
19	5 V	+5 V dc
20	5 V	+5 V dc

If the voltages are not correct, and the power cord is good, replace the power supply.



## Display

If the screen is rolling, replace the display assembly. If that does not correct the problem, replace the video adapter (if installed) or replace the system board.

If the screen is not rolling, do the following to run the display self-test:

1. Power-off the computer and display.
2. Disconnect the display signal cable.
3. Power-on the display.
4. Turn the brightness and contrast controls clockwise to their maximum setting.
5. Check for the following conditions:
  - You should be able to vary the screen intensity by adjusting the contrast and brightness controls.
  - The screen should be white or light gray, with a black margin (test margin) on the screen.

### Note

The location of the test margin varies with the type of display. The test margin might be on the top, bottom, or one or both sides.

If you do not see any test margin on the screen, replace the display. If there is a test margin on the screen, replace the video adapter (if installed) or replace the system board.

### Note

During the first two or three seconds after the display is powered on, the following might occur while the display synchronizes with the computer.

- Unusual patterns or characters
- Static, crackling, or clicking sounds
- A “power-on hum” on larger displays

A noticeable odor might occur on new displays or displays recently removed from storage.

These sounds, display patterns, and odors are normal; do not replace any parts.

If you are unable to correct the problem, go to “Undetermined problem” on page 110.

---

## Diagnostics and test information

The following tools are available to help identify and resolve hardware-related problems:

- Power-on self-test (POST)
- POST Beep Codes
- Error Code Format
- IBM PC Enhanced Diagnostics

### Power-on self-test (POST)

Each time you power-on the system, it performs a series of tests that check the operation of the system and some options. This series of tests is called the *power-on self-test*, or *POST*. POST does the following:

- Checks some basic system-board operations
- Checks the memory operation
- Starts the video operation
- Verifies that the diskette drive is working
- Verifies that the hard disk drive is working

If the POST finishes without detecting any problems, a single beep sounds and the first screen of your operating system or application program appears.

#### Note

Type 6268/6278/6288/6338/2173 computers default to come up quiet (No beep and no memory count and checkpoint code display) when no errors are detected by POST.

To enable Beep and memory count and checkpoint code display when a successful POST occurs:

1. Enable **Power on Status** in setup. See "Setup Utility program" on page 41.

If the POST detects a problem, an error message appears on your screen. A single problem can cause several error messages to appear. When you correct the cause of the first error message, the other error messages probably will not appear on the screen the next time you turn on the system.

### POST beep codes

The Power On Self-Test generates a beeping sound to indicate successful completion of POST or to indicate that the tests detect an error.

One beep and the appearance of text on the display indicates successful completion of the POST. More than one beep indicates that the POST detects an error.

**Note**

Type 6268/6278/6288/6338/2173 computers default to come up quiet (No beep and no memory count and checkpoint code display) when no errors are detected by POST.

To enable Beep and memory count and checkpoint code display when a successful POST occurs:

1. Enable **Power on Status** in setup. See "Setup Utility program" on page 41.

### Error code format

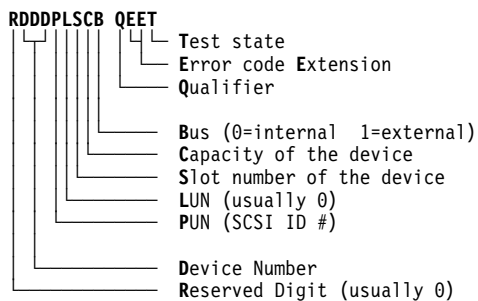
This section provides an explanation of the encoded non-SCSI and SCSI POST error codes.

Error messages are displayed on the screen as three, four, five, eight, twelve, or thirteen digits. An "X" in an error message can be any number or letter. The shorter POST errors are highlighted in the Symptom-to-FRU Index. Some digits will represent different information for SCSI errors versus non-SCSI errors.

The following figure shows which digits display the shorter POST errors. The figure also defines additional SCSI information.

**Notes**

- Non-IBM device error codes and documentation supersede this list.
- Duplicate SCSI ID settings will cause misleading error symptoms or messages.



## IBM PC Enhanced Diagnostics

The IBM PC Enhanced Diagnostics programs use a full range of diagnostic utilities to determine the operating condition of the computers hardware components. The user interface is WaterGate's PC-Doctor which serves as the control program for running the IBM Advanced Memory Diagnostics and the suite of diagnostic tests provided by PC-Doctor.

The IBM PC Enhanced Diagnostics are available on-line and can be downloaded from:

<http://www.ibm.com/pc/us/>

- Select **Support**
- Select **IBM IntelliStation Support**
- Select **Downloadable Files**
- Select **Diagnostics**

This diagnostic diskette includes:

- A new user interface (WaterGate Software's PC-Doctor)
  - This interface serves as the control program for running both the IBM Advanced Memory Diagnostics and the suite of diagnostic tests provided by PC-Doctor.
- IBM Advanced Memory Diagnostics
  - The memory diagnostic tests determine which memory module (SIMM or DIMM) is defective and report the socket where the failing module is located. The Memory diagnostics can run a quick and full test of the system. Diagnostics can also be run on a single SIMM or DIMM.

### Note

See "IBM PC Enhanced Diagnostics" for the IBM PC Enhanced Diagnostics error codes.

## Starting the IBM PC Enhanced Diagnostics Program

To start the program:

1. Shut down and power-off the system.
2. Wait 10 seconds.
3. Insert the IBM Enhanced Diagnostics Diskette into diskette drive A.
4. Power-on the system.

The initial diagnostics menu will be displayed.

## Navigating through the diagnostic programs

Use either the mouse or the keyboard to navigate through the Enhanced Diagnostics program.

- Use the cursor movement keys to navigate within the menus.
- The **Enter** key is used to select a menu item.
- The **Esc** key is used to back up to the previous menu.
- For online help select F1.

## Running diagnostic tests

There are four ways to run the diagnostic tests:

1. Using the cursor movement keys, highlight **Run Normal Test** or **Run Quick Test** from the Diagnostics Menu and then press **Enter**.  
This will automatically run a pre-defined group of tests from each test category. **Run Normal Test** runs a more extensive set of tests than does **Run Quick Test** and takes longer to execute.
2. Press **F5** to automatically run all selected tests in all categories. See "Test selection."
3. From within a test category, press **Ctrl-Enter** to automatically run only the selected tests in that category. See "Test selection."
4. Using the cursor movement keys, highlight a single test within a test category and then press **Enter**. This will run only that test.

Press **Esc** at any time to stop the testing process.

Test results, (N/A, PASSED, FAILED, ABORTED), are displayed in the field beside the test description and in the test log. See "Viewing the test log" on page 39.

## Test selection

To select one or more tests:

1. Open the corresponding test category.
2. Using the cursor movement keys, highlight the desired test.
3. Press **Space bar**.  
A selected test is marked with a chevron, >>.  
Pressing the space bar again de-selects a test and removes the chevron.
4. Repeat steps 2 and 3 above to select all desired tests.

## IBM Advanced Memory Diagnostics

The IBM Advanced Memory Diagnostics provide the capability to identify a particular memory module (SIMM/DIMM) which fails during testing. Use the System Board Layout section to reference the memory sockets, or select **F1 twice** to load the Online Manual and select Chapter 11 'SIMM/DIMM Locator'.

Follow the steps below to locate the IBM Advanced Memory Diagnostics test options.

1. Select the DIAGNOSTICS option on the toolbar and press **Enter**.
2. Highlight either the 'Memory Test-Full' or 'Memory Test-Quick' option and press **Enter**.
  - Memory Test-Full
 

The full memory test will take about 80 seconds per MB of memory and will detect marginal, intermittent, and solid (stuck) memory failures.
  - Memory Test-Quick
 

The quick memory test will take about 20 seconds per MB of memory and will detect solid (stuck) memory failures only.

**Notes**

Either level of memory testing can be performed on all memory or a single SIMM/DIMM socket.

Only sockets containing a SIMM or DIMM can be selected for testing. Unpopulated sockets are noted by ..... besides the test description.

**Alert On LAN test**

The Alert On LAN test does the following:

- Determines if Alert On LAN is supported on the system.
- Checks the revision ID register.
- Verifies the EEPROM checksum.
- Validates that a software alert can be sent.

**Asset ID test**

The Asset ID test does the following:

- Determines if Asset ID is supported on the system.
- Verifies the EEPROM areas.
- Performs an antenna detection test.

**Test results**

IBM PC Enhanced Diagnostic test results will produce this error code format:

Function Code	Failure Type	DeviceID	Date	ChkDigits	Text
---------------	--------------	----------	------	-----------	------

- Function Code:** Represents the feature or function within the PC.
- Failure Type:** Represents the type of error encountered.
- DeviceID:** Contains the component's unit-id which corresponds to either a fixed disk drive, removable media drive, serial or parallel port, processor, specific DIMM, or a device on the PCI bus.

<b>Date:</b>	Contains the date on which the diagnostic test was run. Date is retrieved from CMOS and displayed using the YYYYMMDD format.
<b>ChkDigits:</b>	Contains a 2-digit check-digit value to ensure that: <ul style="list-style-type: none"> <li>• Diagnostics were run on the specified date</li> <li>• Diagnostics were run on the specified IBM computer</li> <li>• The diagnostic error code is recorded correctly</li> </ul>
<b>Text:</b>	Description of the error.

**Note**

See "IBM PC Enhanced Diagnostics" on page 34 for the IBM PC Enhanced Diagnostics error codes.

### Hard file Smart test

Use the Hard File Smart Test when the system management tool has detected a hard file SMART alert.

The Smart test does the following:

- Interrogates IDE devices for support of the SMART instruction set.
- Issues a ENABLE SMART command to make sure SMART functionality is active.
- Checks the SMART RETURN STATUS command to determine if any thresholds have been exceeded.

If thresholds have been exceeded, an error message is shown, and the test fails. If no SMART is supported by the drive, the test returns with N/A.

### IBM Fixed Disk Optimized Test

The IBM Fixed Disk Optimized Test provide the capability to identify particular areas of a hard file which fails during testing. This test also provide a method of correcting certain types of errors.

To select the Fixed Disk Optimized Test:

1. Select the diagnostic option on the toolbar and press Enter.
2. Select the Fixed Disk Optimized Test
3. Select Hard Drives - NORMAL TEST to run a complete hard file test.
4. Select Hard Drives - PRESENCE TEST to run a test to check the drive controller and report any SMART information that the drive has detected.

## Quick and Full erase - hard drive

The IBM PC Enhanced Diagnostics Program offers two hard drive format utilities:

- Quick Erase Hard Drive
- Full Erase Hard Drive

The Quick Erase Hard Drive provides a DOS utility that performs the following:

- Destroys the Master Boot Record (MBR) on the hard drive.
- Destroys all copy of the FAT Table on all partitions (both the master and backup).
- Destroys the partition table.
- Provides messages that warn the user that this is a non-recoverable process.

The Full Erase Hard Drive provides a DOS utility that performs the following:

- Performs all the steps in Quick Erase.
- Provides a DOS utility that writes random data to all sectors of the hard drive.
- Provide an estimate of time to completion along with a visual representation of completion status.
- Provides messages that warn the user that this is a non-recoverable process.

### Important

Make sure customer backs up all data before using the Quick or Full Erase function.

To select the Quick Erase or Full Erase Hard Drive utility:

1. Select the UTILITY option on the toolbar and press enter.
2. Select either the QUICK ERASE or FULL ERASE HARD DISK option and then, follow the instructions.

## Iomega Zip Drive Test

Use the Iomega Zip Drive Test to test the zip drive and the drive interface. The test takes about 20 seconds to run.

The default tests the following:

- Controller
- Max Seek (50 times)
- Random Seek (300 sectors)

## Asset EEPROM backup

When replacing a system board, this utility allows the backup of all Asset information from the EEPROM to diskette. This utility also restores data to the EEPROM from diskette after replacement of the system board.

To run this utility:



- Select **Utility**
- Select **Asset EEPROM Backup**
- follow instructions on screen.

## Viewing the test log

Errors reported by the diagnostic test will be displayed by the program as a failed test.

To view details of a failure or to view a list of test results, do the following from any test category screen:

- Press **F3** to activate the log File
- Press **F3** again to save the file to diskette or F2 to print the file.

**SIMM/DIMM memory errors:** SIMM/DIMM error messages issued by the IBM PC Enhanced Diagnostics:

Message	Failure Found	Recommended Actions
2xx-1y	A memory error was detected in SIMM socket Y	Replace the SIMM in the socket identified by the last digit of the error code. Re-run the test. If the same error code occurs again, replace the system board.
2xx-2y	A memory error was detected in DIMM socket Y	Replace the DIMM in the socket identified by the last digit of the error code. Re-run the test. If the same error code occurs again, replace the system board or where memory is on the processor card, replace the processor card.
Corrupt BIOS	Information in BIOS is not as expected. Not able to find expected DMI information from BIOS. Memory controller chipset vendor ID does not match expected value.	Reflash the BIOS. Perform boot block recovery. Replace the system board.

Message	Failure Found	Recommended Actions
Test aborted by user	User stopped test.	Restart test.
<b>Note:</b> "Y" is the SIMM/DIMM socket number. Use the System Board Layouts section in the latest PC 300/700, IntelliStation Hardware Maintenance Manual, HMM, to reference the memory sockets.		

## Setup Utility program

### Attention

A customized setup configuration (other than default settings) might exist on the computer you are servicing. Running the Setup Utility program might alter those settings. Note the current configuration settings and verify that the settings are in place when service is complete. To start the Setup Utility program, see "Setup Utility program."

The Setup Utility (configuration) program is stored in the permanent memory of the computer. This program includes settings for the following:

- System Summary
- Product Data
- Devices and I/O Ports
- Start Options
- Date and Time
- System Security
- Advanced Setup
- ISA Legacy Resources
- Power Management

To run the Setup Utility program, do the following:

1. Power-off the computer and wait for a few seconds until all in-use lights go off.
2. Power-on the computer.
3. When the Setup Utility prompt appears on the screen during start-up, press **F1**. The Setup Utility menu appears.
4. Follow the instructions on the screen.
5. When finished, select System Summary to verify that any configuration changes have been accepted.

## Hard disk drive boot error

A hard disk drive boot error (error codes 1962 and I999030X) can be caused by the following:

Cause	Actions
The start-up drive is not in the boot sequence in configuration.	Check the configuration and ensure the start-up drive is in the boot sequence.
No operating system installed on the boot drive.	Install an operating system on the boot drive.

Cause	Actions
The boot sector on the start-up drive is corrupted.	The drive must be formatted, do the following: <ol style="list-style-type: none"> <li>1. Attempt to access and recover (back-up) the failing hard disk drive.</li> <li>2. Using the operating systems programs, format the hard disk drive.</li> <li>3. Go to "Preparing the hard disk drive for use" on page 42.</li> </ol>
The drive is defective.	Replace the hard disk drive.

## When to use the Low-Level Format program

### Notes

1. The low-level format is not available on all diagnostic diskettes.
2. Before formatting the hard disk drive, make a back-up copy of the files on the drive to be formatted.

Use the Low-Level Format program:

- When you are installing software that requires a low-level format
- When you get recurring messages from the test programs directing you to run the Low-Level Format program on the hard disk
- As a last resort before replacing a hard disk drive

## Preparing the hard disk drive for use

When the Low-Level Format program is finished, restore to the hard disk all the files that you previously backed up.

1. Partition the remainder of the hard disk for your operating system. (The commands vary with the operating system. Refer to your operating-system manual for instructions.)
2. Format the hard disk using your operating system. (The commands vary with the operating system. Refer to your operating-system manual for instructions.)
3. Install the operating system.

You are now ready to restore the files.

---

## Product description

The PC 300 Type 6268/6278/6288/6338 computers are available in 4 x 4, (Four drive bays, four I/O adapter slots) as desktop and micro-tower models.

The IBM Aptiva Type 2173 computer is available in the 4 x 4 micro-tower models only.

### Note

Service information is the same for types 6268, 6278, 6288, 6338, and 2173 computers, unless specifically identified as type 6288/6338 which is the desktop computer.

- Type 6268 and 6278 are the micro-tower
- Type 6288/6338 is the desktop
- Type 2173 is the micro-tower
  
- **Security**
  - Administrator password
  - Cover lock
  - Power-on password
  - Operating system password
  - U-bolt and cable (Optional for some models)
- **CMOS backup battery (lithium)**
- **Common parts**

(Varies with each model, see “Type/Model configuration tables (6268/6278/6288/6338)” on page 112.)

  - Diskette drive
  - Hard disk drive
  - Keyboard
  - Power supply
  - Mouse

**Specifications Information (ISO/ANSI)**

The model specifications information on the following pages was determined in controlled acoustical environments according to procedures specified by the American National Standards Institute (ANSI) S12.10 and ISO 7779, and are reported in accordance with ISO 9296. Actual sound pressure levels in your location might differ from the average values stated because of room reflections and other nearby noise sources. The declared sound power levels indicate an upper limit, below which a large proportion of machines will operate.

## Specifications Type 6268/6278/2173

Feature	Description
<b>Size</b>	Depth: 383 mm (15.08 inches) Height: 378 mm (14.88 inches) Width: 192 mm (7.56 inches)
<b>Weight</b>	Weight: 7.25 kg (16 lb) <sup>1</sup>
<b>Environment</b>	Air temperature: - System on: 10° to 35°C (50° to 90°F) - System off: 10° to 43°C (50° to 110°F) Humidity: - System on: 8% to 80% - System off: 8% to 80% Maximum altitude: 2134 m (7000 ft)
<b>Heat Output</b>	Approximate heat output in BTUs per hour: - Minimum: 256 BTU (75 watts) - Maximum: 706 BTU (207 watts) <sup>2</sup>
<b>Electrical Input</b>	Sine-wave input (50 to 60 Hz) required. Low range input voltage: - Minimum: 90 V ac - Maximum: 137 V ac High range input voltage: - Minimum: 180 V ac - Maximum: 265 V ac Input kVA (approximately): - Maximum (as shipped): 0.10 kVA
<b>Airflow</b>	Approximately 0.56 cubic meters/minute (20 CFM)
<b>Acoustical Noise Emission Values</b>	Average sound pressure levels: At operator position: - 43 dB operating - 38 dB idle At bystander position (1 meter): - 37 dB operating - 33 dB idle Declared (upper limit) sound power levels: - 5.1 bels operating - 4.8 bels idle

<sup>1</sup> Maximum configuration weight depends on options installed. Figures above are a system fully populated with options.

<sup>2</sup> Maximum power and heat specifications are based on the 145-watt maximum capacity of the system power supply.

<sup>3</sup> For additional information, see the *ISO Supplier's Declaration* available from IBM.

## Specifications Type 6288/6338

Feature	Description
<b>Size</b>	Depth: 422.8 mm (16.64 inches) Height: 138.8 mm (5.46 inches) Width: 400 mm (15.75 inches)
<b>Weight</b>	Weight: 10.43 kg (23 lb) Fully configured <sup>4</sup>
<b>Environment</b>	Air temperature: - System on: 10° to 35°C (50° to 90°F) - System off: 10° to 43°C (50° to 110°F)  Humidity: - System on: 8% to 80% - System off: 8% to 80% Maximum altitude: 2134 m (7000 ft)
<b>Heat Output</b>	Approximate heat output in BTUs per hour: - Minimum: 256 BTU (75 watts) - Maximum: 706 BTU (207 watts) <sup>5</sup>
<b>Electrical Input</b>	Sine-wave input (50 to 60 Hz) required. Low range input voltage: - Minimum: 90 V ac - Maximum: 137 V ac High range input voltage: - Minimum: 180 V ac - Maximum: 265 V ac Input kVA (approximately): - Maximum (as shipped): 0.10 kVA
<b>Airflow</b>	Approximately 0.56 cubic meters/minute (20 CFM)
<b>Acoustical Noise Emission Values</b>	Average sound pressure levels: At operator position: - 43 dB operating - 38 dB idle At bystander position (1 meter): - 37 dB operating - 33 dB idle Declared (upper limit) sound power levels: - 5.1 bels operating - 4.8 bels idle

<sup>4</sup> Maximum configuration weight depends on options installed. Figures above are a system fully populated with options.

<sup>5</sup> Maximum power and heat specifications are based on the 145-watt maximum capacity of the system power supply.

<sup>6</sup> For additional information, see the *ISO Supplier's Declaration* available from IBM.



---

## Additional service information

The following additional service information supports the PC 300 types 6268, 6278, 6288, 6338, and the Aptiva type 2173 computer.

- “Replacing a processor”
- “Replacing a system board” on page 48
- “Security features” on page 48
- “Passwords” on page 48
- “Vital product data” on page 50
- “Management Information Format (MIF)” on page 50
- “Alert on LAN” on page 51
- “Universal Management Agent (UMA)” on page 51
- “Hard disk drive jumper settings” on page 54
- “CD-ROM drive jumper settings” on page 55
- “BIOS levels” on page 56
- “Flash (BIOS/VPD) update procedure” on page 57
- “Flash recovery boot block jumper” on page 57
- “Power management” on page 58
- “Network settings” on page 60
- “Flash over LAN (update POST/BIOS over network)” on page 60
- “Wake on LAN” on page 61
- “System board memory” on page 62

## Replacing a processor

For Celeron® processors, install the processor with the beveled corner aligned with the beveled corner of the processor socket.

### Important

- Before removing the processor, remove all memory first. Install the processor, heat sink and clip, then re-install the memory.
- If the processor is not installed correctly, the system board and the processor can be damaged.

## Replacing a system board

### Notes

1. The BIOS and Vital Product Data (VPD) for the computer you are servicing must be installed on the new system board (FRU) after it is installed in the computer. To do this, **you must run the Flash Update program using the Flash Update diskette**. See "BIOS levels" on page 56 "Vital product data" on page 50, and "Flash (BIOS/VPD) update procedure" on page 57.
2. Always ensure the latest level of BIOS is installed on the computer. A down level BIOS may cause false errors and unnecessary replacement of the system board.
3. The processor is a separate FRU from the system board and is not included with the system board FRU. If you are instructed to replace the system board, do the following.
4. Remove the processor from the old system board and install it on the new system board.
5. Remove any of the following installed options on the old system board, and install them on the new system board.
  - Memory modules
6. Ensure that the new system board jumper settings match the old system board jumper settings.
7. If the new system board does not correct the problem, reinstall the options on the old system board, reinstall the old system board, then replace the processor.

## Security features

Security features in this section include:

- Passwords
- Vital Product Data
- Management Information Format (MIF)
- Alert on LAN
- Universal Management Agent (UMA)

## Passwords

The following provides information about computer hardware and software-related passwords:

- Power-on Password
- Administrator Password
- Operating System Password

Power-on and Administrator passwords are set in the Setup Utility program. See "Setup Utility program" on page 41 for information about running the Setup Utility.

**Power-on password:** A power-on password denies access to the computer by an unauthorized user when the computer is powered on. When a power-on password is active, the password prompt appears on the screen each time the computer is powered on. The computer starts after the proper password is entered.

#### **Removing a power-on password**

To service a computer with an active and unknown power-on password, power-off the computer and do the following:

**Note**

On some models, this procedure will also remove the administrator password.

1. Unplug the power cord and remove the top cover.
2. Refer to “System board” on page 79 to find the password jumper.
3. Move the password jumper to connect the center pin and the pin on the opposite end of the connector.
4. Power-on the computer. The system senses the change in the position and erases the password.
  - It is necessary to move the jumper back to the previous position.
5. Remind the user to enter a new password when service is complete.

**Administrator password:** The administrator password is used to restrict access to the Configuration/Setup Utility program. If the administrator password is activated, and you do not enter the administrator password, the configuration can be viewed but not changed.

**Note**

Type 6268, 6278, 6288/6338, 2173 has Enhanced Security Mode. If Enhanced Security mode is enabled and there is no password given, the computer will act as if Enhanced Security is disabled.

If Enhanced Security is Enabled and an administrator password is given, the administrator password must be entered to use the computer. If the administrator password is lost or forgotten, the system board in the computer must be replaced in order to regain access to the Configuration/Setup Utility program.

**Administrator password control** The Administrator password is set in the Setup Configuration. Refer to "Setup Utility program" on page 41

**Operating system password:** An operating system password is very similar to a power-on password and denies access to the computer by an unauthorized user when the password is activated. The computer is unusable until the password is entered and recognized by the computer.

## Vital product data

Each computer has a unique vital product data (VPD) code stored in the nonvolatile memory on the system board. After you replace the system board, the VPD must be updated. To update the VPD, see "Flash (BIOS/VPD) update procedure" on page 57.

## Management Information Format (MIF)

Management Information Format (MIF) is a file used to maintain a list of the system unit serial number along with all serialized components; for example: system board, riser card, memory, and processor.

At the time of computer manufacture, the EPROM will be loaded with the serial numbers of the system and all major components. The customer will have access to the MIF file via the DMI MIF Browser that is installed with the preload and is also available on the SSCD provided with the system.

A company called Retain-a-Group is a central data warehouse offering serial number data management. Retain-a-Group acts as a focal point to law enforcement.

The customer has the option to purchase serial number information and services from Retain-a-Group. It is the customer's responsibility to maintain the MIF file and to inform Retain-a-Group of any changes to the file.

Some customers may request their servicers to assist them in maintaining the MIF file when serialized components are replaced during hardware service. This assistance is between the customer and the servicer. The servicer can use the DMI MIF Browser to update the MIF information in the EPROM. It is anticipated that some servicers might charge for this service.

To update the EPROM using the DMI MIF Browser:

1. Click **Start** from the desktop, then **Programs**.
2. Select **IBM SystemView™ Agent**.
3. Select **Serial Number Information** icon.
4. Click the plus sign to expand.
5. Select the component you want to view or edit.
6. Double click on the component you want to change.
7. Enter new data in the **Value** field, then click **Apply**.

## Alert on LAN

Alert on LAN provides notification of changes in the computer, even when the computer power is turned off. Working with DMI and Wake on LAN technologies, Alert on LAN helps to manage and monitor the hardware and software features of the computer. Alert on LAN generates notifications to the server of these occurrences:

- Computer disconnected from the network
- Computer unplugged from the power outlet
- All POST errors
- Operating system or POST hang condition

Alert on LAN events are configured to be Enabled or Disabled from the LAN server only, and not from the computer. See the LAN administrator for configuration status information.

## Universal Management Agent (UMA)

The Universal Management Agent (UMA) program is a collection of tools designed to manage computers in a network environment. The Universal Management Browser launches and manages each tool from a central interface using ActiveX controls in an Internet or Intranet environment. You can use the tools locally on the computer where UMA is installed or remotely by using the Internet or Intranet to access the computer where UMA is installed.

The tools that are accessible through UMA can vary from model to model based on two factors:

- Whether or not additional plug-in programs have been added.

- Whether or not a specific model provides the hardware necessary to use the tool.

If a tool is not supported, it does not appear within the UMA interface. However, information about that tool is still accessible through the UMA help system.

**Note**

Any information on the UMA screens reflecting status, inventory, and so on, is a snapshot of that information when the screen was accessed. The information is not dynamically refreshed on the screen; you must either navigate away from that screen then return to it or use the following method to refresh the information:

1. Move the mouse pointer to an open area in the right frame, then click using the right mouse button.
2. When the pop-up appears, click on **Refresh**. Do not use the refresh button in the Browser toolbar to refresh the UMA screens; the Refresh button will take you to the top-level screen (index.html).

**UMA major components:** The UMA program contains the following major components:

**Note**

After selecting one of the components, you can access the help system for that component by clicking on the help button.

**System monitors:** This component contains Events, Alarms, and Responses (EAR); Enterprise SNMP Automation; PC Health; BIOS Error Logging; and the Event Log Viewer. These programs allow you to monitor computer hardware status, set up automatic responses to system alerts, schedule events (such as backup operations), and view a history of errors, alerts, and events.

**Resource utilization:** This component allows you to gather information about audio, drives, input/output ports, memory, network, system resources, video, battery (mobile computers only), keyboard, and mouse.

**Advanced management tools:** This component gives you access to Desktop Management Interface (DMI) information and Alert on LAN information. Also included is System Updates, which gives you access to information and files provided by IBM through the Internet.

**Inventory data:** This component allows you to view information about the basic hardware, access a computer summary report, view a software inventory, view

information about the operating system and associated device drivers, and view AssetCare information.

**Configuration and diagnostics:** This component contains the Memory-Scrubbing program (to correct latent errors in ECC memory), and the User Manager program (used to configure security features associated with UMA). Also included is the SNMP Trap Configuration program, which allows you to add or change SNMP trap community names and destinations.

## Accessing UMA

### Notes

1. The computer using UMA must be connected to a network (Intranet) or the Internet.
2. UMA must be accessed from Microsoft Internet Explorer.

### *To access UMA on a local computer*

1. Type **http://local:6500/** in the Internet Explorer Address field.
2. Select the UMA component you want to use.

### *To access UMA on a remote computer*

1. Type **http://computername:6500/** in the Internet Explorer Address field.

### Note

The computername is the name used in the Network Identification Control Panel.

2. Select the UMA component you want to use.

## Hard disk drive jumper settings

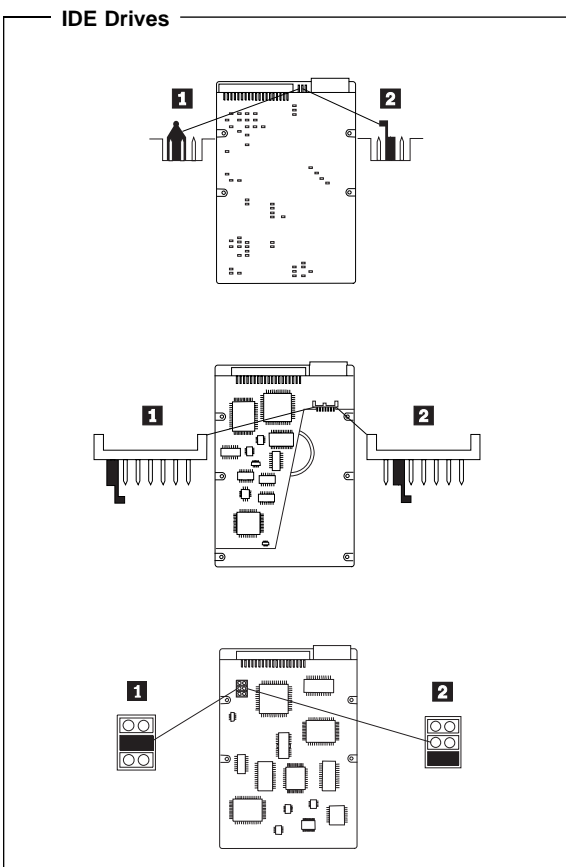
IDE hard disk drives for the PC 300 series and the Aptiva 2173 computers use jumpers to set the drives as primary (master) or secondary (slave).

### Attention

For drives not shown below, refer to the label on the hard disk drive for the hard disk drive settings.

## IDE hard disk drive settings

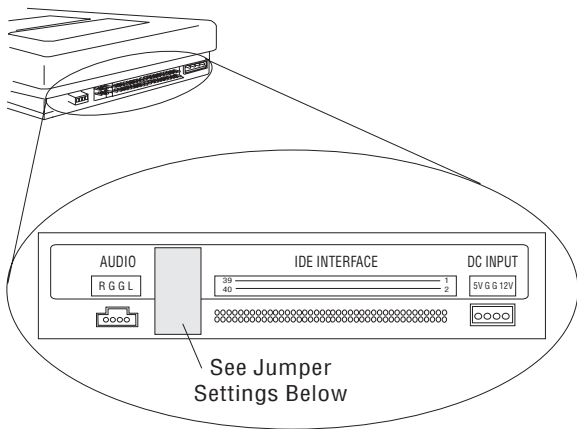
- 1 Primary (Master) Hard Disk Drive
- 2 Secondary (Slave) Hard Disk Drive





## CD-ROM drive jumper settings

CD-ROM and PC/CD-ROM drives use jumpers or tabs to set the drives as primary (master) or secondary (slave). Refer to the drive connector labels or the figures below for the drive settings.



CD-ROM, PD/CD-ROM Type	Primary (Master)	Secondary (Slave)
2X CD-ROM FRU 06H5906	: : ■ : :	: ■ : : :
4X CD-ROM FRU 06H7654	: : ■ : :	: ■ : : :
6X CD-ROM	: : ■ :	: ■ :
8X CD-ROM	: : ■ :	: ■ :
6X PD/CD-ROM	: : ■ :	: ■ :
16X Max CD-ROM	: : ■ :	: ■ :
24X Max CD-ROM	: : ■ :	: ■ :
32X Max CD-ROM	: : ■ :	: ■ :
40X Max CD-ROM	: : ■ :	: ■ :
48X Max CD-ROM	: : ■ :	: ■ :

## BIOS levels

An incorrect level of BIOS can cause false error and unnecessary FRU replacement. Use the following information to determine the current level of BIOS installed in the computer, the latest BIOS available for the computer, and where to obtain the latest level of BIOS.

- Current Level BIOS information.
  - Run the Configuration Utility to determine the level of BIOS installed.
- Sources for determining the latest level BIOS available.
  1. IBM PC Company Home Page  
<http://www.ibm.com/pc/us/>
  2. PC PartnerInfo-Technical Database (CTSTIPS.NSF)
  3. Bulletin Board System (BBS)
  4. HelpCenter™
  5. Levels 1 and 2 Support
  6. RETAIN
- Sources for obtaining the latest level BIOS available.
  1. IBM PC Company Home Page  
<http://www.ibm.com/pc/us/>
  2. PC PartnerInfo-Technical Database (CTSTIPS.NSF)
  3. Bulletin board system (BBS)
  4. HelpCenter
  5. Levels 1 and 2 Support

To update (flash) the BIOS, see “Flash (BIOS/VPD) update procedure” on page 57.

## Flash (BIOS/VPD) update procedure

### Attention

Refer to the information label located inside the system unit cover for any model-specific information.

1. Power-off the computer.
2. Insert the flash update diskette into drive A.
3. Power-on the computer.
4. When the Update Utility appears; select your country/keyboard, then press **Enter**.
5. If the computer serial number was previously recorded, the number is displayed with an option to update it. Press **Y** to update the serial number.
6. Type the 7-digit serial number of the computer you are servicing; then, press **Enter**.
7. Follow the instructions on the screen to complete the flash (BIOS/VPD) update procedure.

## Flash recovery boot block jumper

### Attention

If an interruption occurs during a Flash/BIOS upgrade, the BIOS might be left in an unusable state. The Boot Block jumper or switch enables you to restart the system and recover the BIOS.

To perform a Flash/BIOS recovery using the Boot Block jumper:

1. Power-off the computer and remove the cover.
2. Move the system board Boot Block jumper or switch to the **recover** position. Refer to "System board" on page 79 or the information label inside the computer for more information.
3. Insert the upgrade diskette into the diskette drive.
4. Power-on the computer. The IBM Logo will appear.
5. When the Flash Update Utility appears; select your country/keyboard, then press **Enter**.
6. If the computer serial number was previously recorded, the number is displayed with an option to update it. Press **Y** to update the serial number.
7. Type the 7-digit serial number of the computer you are servicing; then, press **Enter**.
8. Follow the instructions on the screen to complete the flash (BIOS/VPD) update procedure.
9. When you are instructed to reboot the computer, power-off the computer and move the Boot Block jumper or switch to the **normal** position. Then, replace the cover and power-on the computer.

## Power management

Power management reduces the power consumption of certain components of the computer such as the system power supply, processor, hard disk drives, and some monitors. Advanced Power Management and Rapid Resume Manager are features of some personal computers.

### Automatic configuration and power

**interface (ACPI) BIOS:** Being an ACPI BIOS system, the operating system is allowed to control the power management features of the computer and the setting for Advanced Power Management (APM) BIOS mode are ignored. Not all operating systems support ACPI BIOS mode.

**Advanced Power Management:** Energy-saving settings can be viewed and changed by using the Advanced Power Management menu in the Configuration/Setup Utility program.

#### Attention

If a device, such as a monitor, does not have power-management capabilities, it can be damaged when exposed to a reduced-power state. Before making energy-saving selections for the monitor, check the documentation supplied with the monitor to see if it supports Display Power Management Signaling (DPMS).

## Automatic Hardware Power Management

**features:** Automatic Hardware Power Management can reduce the power states of the computer, processor, and monitor (if monitor supports DPMS) if they are inactive for a predetermined length of time.

There are three levels of specified time that the computer must be inactive before the power management options that are selected take effect. Select the amount of time that is offered within each level.

**Level 1** Set time from 5 minutes to 4 hours.

**Level 2** Set time from 10 minutes to 5 hours.

**Level 3** Set time from 15 minutes to 6 hours.

At each level, you can define the amount of energy savings by specifying values for the following options:

- **System Power:**
  - Select **On** for the computer to remain on.
  - Select **Off** for the computer to shut down.
- **Processor Speed:**

Set the microprocessor to be disabled, or to run at **1, 10, 25, or 50** percent of its internal clock speed.

- **Display:**

Set display to be disabled or to be reduced at these power states:

- **Standby:** Screen is blank, but can be restored immediately when any activity is detected.
- **Suspend:** Monitor uses less power than in Standby mode. Screen image is restored after a few seconds when any activity is detected.
- **Off:** Monitor power is off. Press Monitor power button to restore power. On some monitors, you might have to depress the power button twice.

## Setting Automatic Hardware Power Management features

1. Start the Configuration/Setup Utility program (see “Setup Utility program” on page 41).
2. Select **Advanced Power Management** from the Configuration/Setup Utility program menu.
3. Be sure **APM BIOS Mode** is set to **Enabled**. If it is not, press Left Arrow (←) or Right Arrow (→) to change the setting.
4. Select **Automatic Hardware Power Management**.
5. Set **Automatic Hardware Power Management** to **Enabled**.
6. Select values for the three levels of power management (system power, processor speed, and display), as necessary.
7. Set **Hard Disk** to **Enabled** or **Disabled**.  
**Note:** This does not apply to SCSI drives.
8. Press **Esc** twice to return to the Configuration/Setup Utility program menu.
9. Before you exit from the program, select **Save Settings** from the Configuration/Setup Utility program menu.
10. To exit from the Configuration/Setup Utility program, press **Esc** and follow the instructions on the screen.

**Automatic Power-On features:** The Automatic Power-On features within the Advanced Power Management menu allow you to enable and disable features that turn the computer on automatically.

- **Serial Port Ring Detect:** With this feature set to **Enabled** and an *external* modem connected to serial port (COM1), the computer will turn on automatically when a ring is detected on the modem.

- **Modem Ring Detect:** With this feature set to **Enabled**, the computer will turn on automatically when a ring is detected on the internal modem.
- **Wake Up on Alarm:** You can specify a date and time at which the computer will be turned on automatically. This can be either a single event or a daily event.
- **Wake on LAN:** If the computer has a properly configured token-ring or Ethernet LAN adapter card that is Wake on LAN-enabled and there is remote network management software, you can use the IBM-developed Wake on LAN feature. When you set Wake on LAN to **Enabled**, the computer will turn on when it receives a specific signal from another computer on the local area network (LAN). For further information, see "Wake on LAN" on page 61.

## Network settings

This section applies only to computers linked to a network.

The Configuration/Setup Utility program includes settings that can be enabled and disabled to configure the network interface in the computer. These settings are:

- Flash over LAN (Update POST/BIOS over Network)
- Wake on LAN

### Flash over LAN (update POST/BIOS over network)

**Note:** For local Flash (BIOS/VPD) update, see "Flash (BIOS/VPD) update procedure" on page 57.

This setting is used to enable or disable the Flash over LAN feature. When the feature is enabled, the system programs, in the computer, can be updated remotely from a network server. If the administrator password is set in the computer, it does not have to be entered by the server.

To access the Flash over LAN setting:

1. Start the Configuration/Setup Utility program. See "Setup Utility program" on page 41.
2. Select **System Security**.
3. Select **POST/BIOS Update** from the Configuration/Setup Utility program menu.
4. To enable Flash over LAN, select **Enabled**. To disable Flash over LAN, select **Disabled**.
5. Press **Esc** twice to return to the Configuration/Setup Utility program menu.
6. Before you exit from the program, select **Save Settings** from the Configuration/Setup Utility program menu.
7. To exit from the Configuration/Setup Utility program, press **Esc** and follow the instructions on the screen.

## Wake on LAN

This setting is used to enable or disable the IBM-developed Wake on LAN feature. This feature makes it possible for the computer to be turned on remotely by a network server. Remote network management software must be used in conjunction with this feature.

To access the Wake on LAN setting:

1. Start the Configuration/Setup Utility program. See "Setup Utility program" on page 41.
2. Select **Advanced Power Management**.
3. Select **Automatic Power On** from the program menu.
4. Select **Wake on LAN** from the **Automatic Power On** menu.
5. To enable Wake on LAN, select **Enabled**. To disable Wake on LAN, select **Disabled**.
6. Press **Esc** until you return to the Configuration/Setup Utility program menu.
7. Before you exit from the program, select **Save Settings** from the Configuration/Setup Utility program menu.
8. To exit from the Configuration/Setup Utility program, press **Esc** and follow the instructions on the screen.

## System board memory

The following matrix cross-references the name of the computer (printed on the logo) and the size, speed, and type of memory modules supported in the computer.

Computer Name	Memory Module		
	Size	Speed	Type
PC 300	32 MB	100 MHz	SDRAM Non-Parity  Industry Standard
Type	64 MB		
6268/6278/ 6288/6338/ 2173	128 MB		
	256 MB		
	512 MB Maximum		

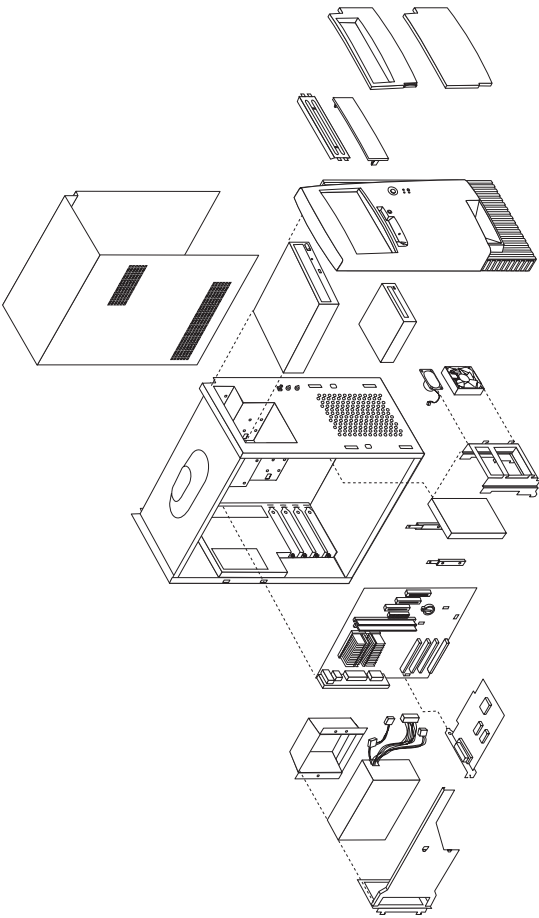
### Supported memory configuration

DIMM sizes of 32 MB, 64 MB, 128 MB, and 256 MB are acceptable. Start filling DIMM socket 0, then 1. Use 3.3 V unbuffered 100 MHz. SDRAM Non-Registered DIMMs only.



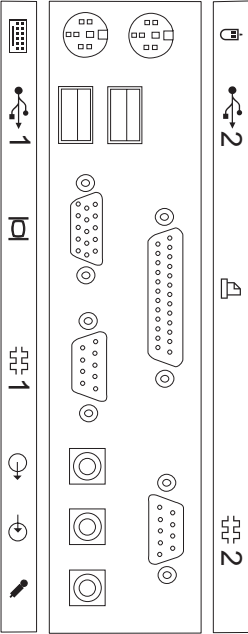
---

**Computer exploded view (Type  
6268/6278/2173)**

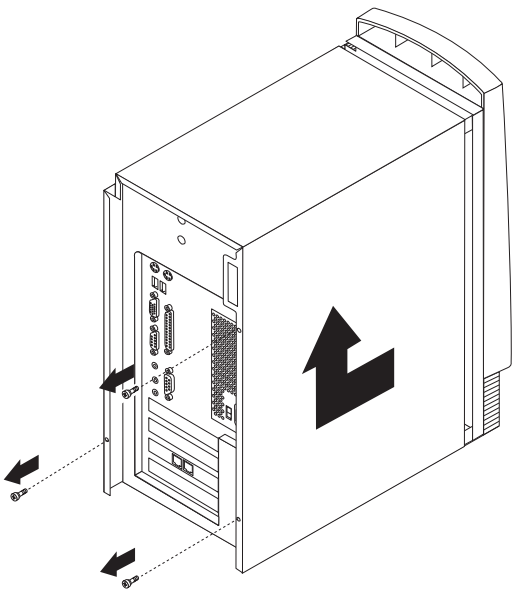


I/O connectors and removal procedures for the cover, front bezel, EMC shield, CD-ROM drive, front panel, ZIP drive, hard drive, HD/fan/speaker bracket, and power supply are on the following pages.

# Input/Output connectors



## Cover removal



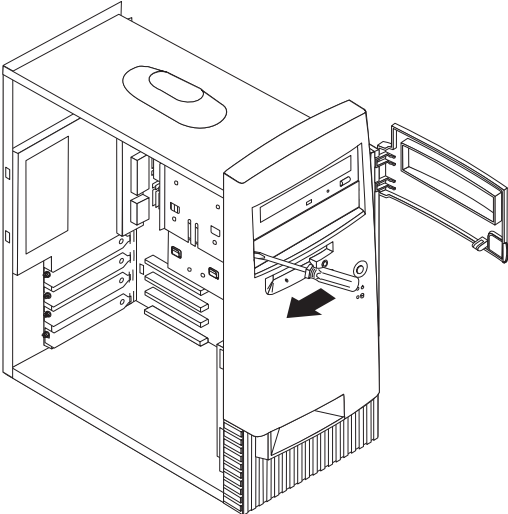
### To remove top cover:

1. Remove the three cover thumb screws.
2. Slide cover toward the rear of the chassis about 1-Inch (2 cm) to clear the front panel.
3. Lift cover straight up.

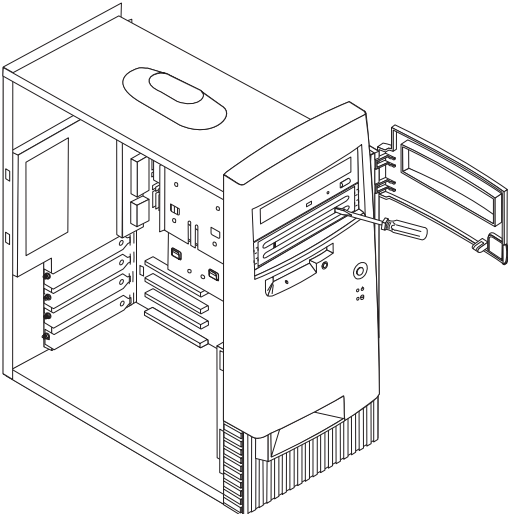
### To install top cover:

1. Slide cover down onto the chassis about 1-inch (2 cm) from the front flange.
2. Make sure bottom cover slots are engaged on the chassis.
3. Slide cover forward to engage the front cover slots onto the chassis flange.
4. Install the three cover thumb screws.

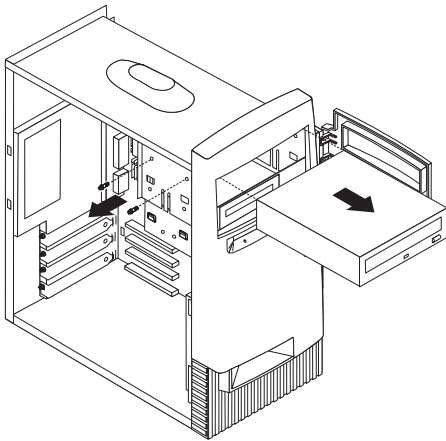
**Front bezel**



**EMC shield**



## CD-ROM drive removal



### To remove the CD-ROM drive:

1. Remove the top cover.
2. Disconnect the cables from the CD-ROM drive
3. Remove two screws securing the CD-ROM drive.
4. Pull the CD-ROM drive out of the chassis.

#### Note

When connecting the CD-ROM Audio Cable, make sure the cable is routed along the system board near the PCI adapter slots. Continue routing the cable along the system board between the power connector and primary IDE connector and then up to the CD-ROM drive. Do not route the CD-ROM cable near the system board I/O connectors.

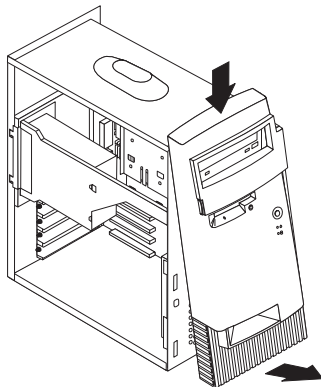
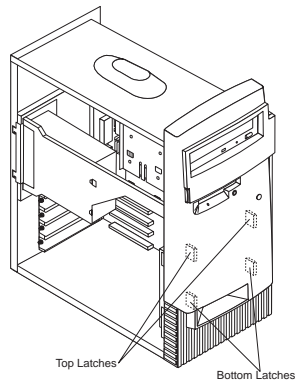
#### Note

When connecting the EIDE DASD Cable, connect the:

- Blue connector of cable to the system board
- Black connector to the master device
- Gray connector to the slave device

Route the signal cables next to the hard drive and toward the bottom of the diskette drive housing.

## Front panel



### To remove the front panel:

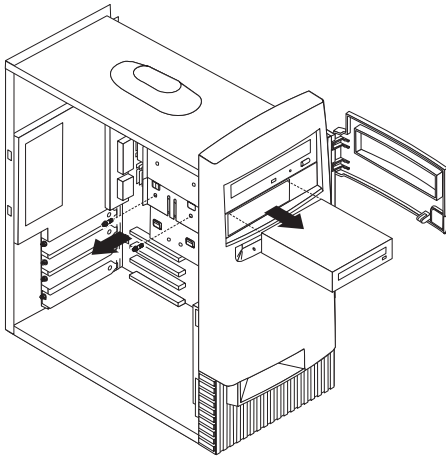
1. Remove the top cover.
2. Remove the top blank bezel and EMC shield or the CD-ROM drive.

#### Note

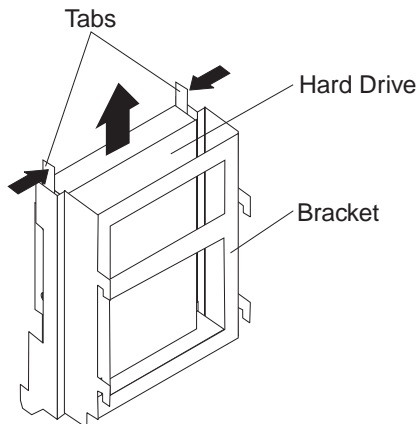
Depending on which one is installed, the blank bezel and EMC shield or the CD-ROM drive must be removed in order to remove the front panel.

3. Reach inside the chassis and pull apart the two bottom latches inside the front panel while pulling the panel out. The two bottom latches will unlatch from the chassis.
4. Next, pull apart the top two latches from inside the panel while pulling the panel out.
5. To remove the front panel, pivot the bottom of the panel out and down at the same time.

## ZIP drive removal



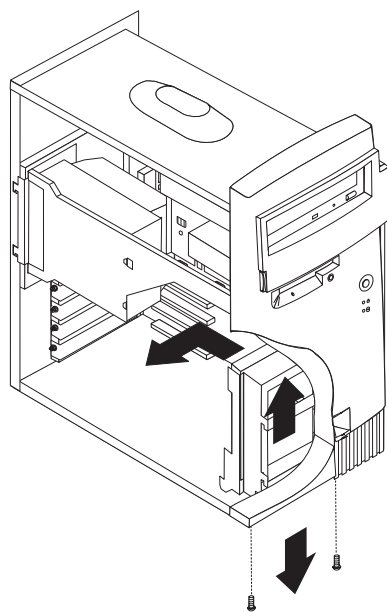
## Hard drive removal



### To remove the hard drive:

1. Press in on both rail tabs and lift the hard drive up then pull it back and out from the bracket.
2. Remove the signal and power cables from top of the hard drive.
3. When replacing the hard drive, remove the drive rails from the old drive and install them on the new drive.

## HD/fan/speaker bracket removal



### To remove the bracket:

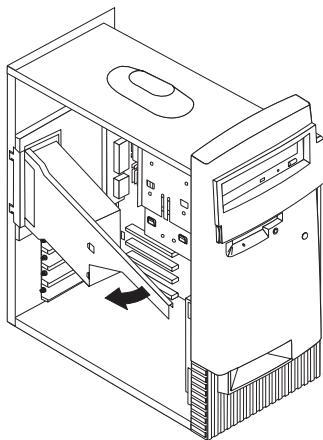
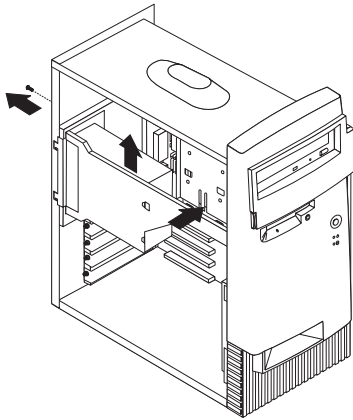
1. Remove the hard drive so it will not be damaged from vibration. The hard drive can be removed from the bracket by depressing the hard drive rail tabs, lifting the hard drive up then pulling it back and away from the bracket. See "Hard drive removal" on page 69.
2. Disconnect the speaker and fan cables from the system board.
3. Remove the two bracket screws at bottom of chassis.
4. Lift the bracket up then pull the bracket out from front of chassis.



## Power supply removal

### Notes

1. Remove the power supply bracket from the old power supply and install it on the new power supply.
2. Make sure the power supply voltage switch is set to the proper operating voltage; 115V or 230V.

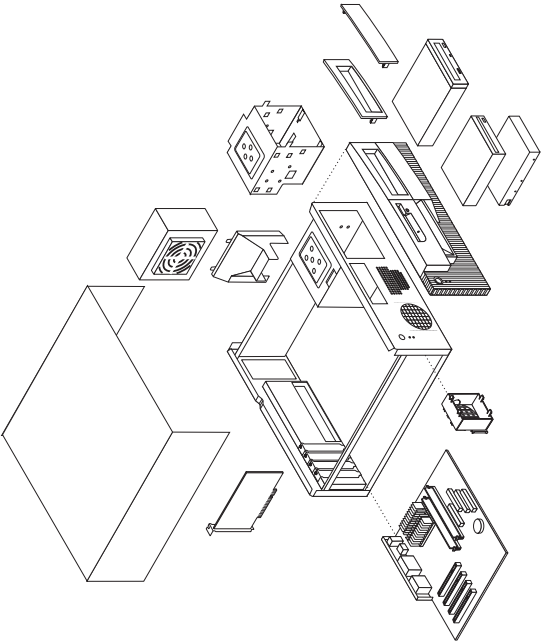


### To remove the power supply:

1. Remove the top cover
2. Remove the thumb screw from the rear of the power supply
3. Push in on the tab then, push up on the power supply bracket and swing it out to disengage the bracket from the chassis.

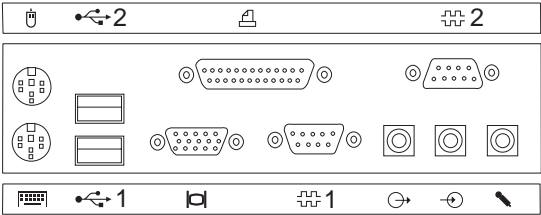
---

**Computer exploded view (Type 6288/6338)**

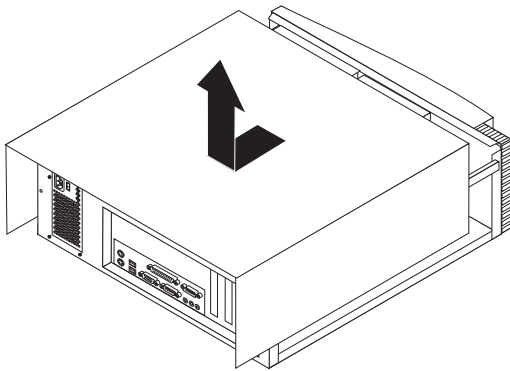
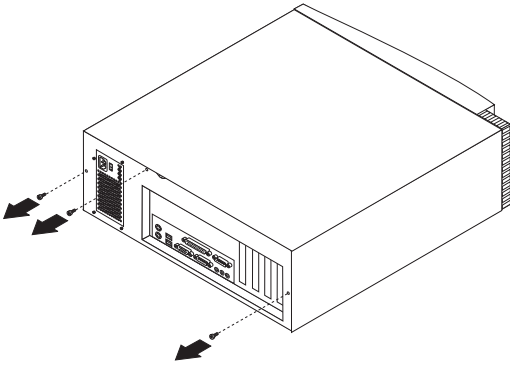


I/O connectors and removal procedures for the cover, front panel, front bezel, diskette/hard drive bracket, CD-ROM drive, and power supply are on the following pages.

# Input/Output connectors



## Cover removal



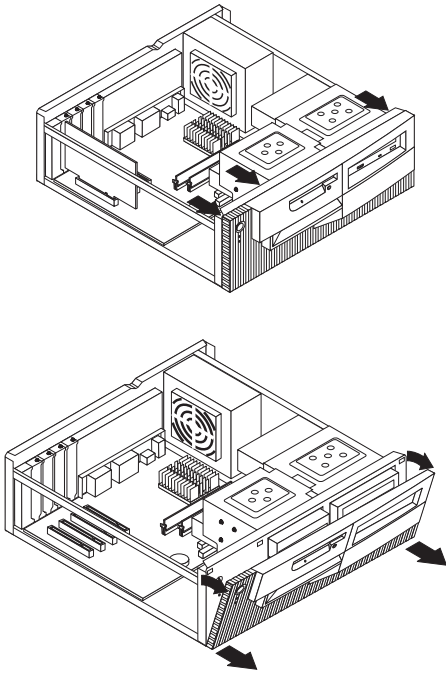
### To remove top cover:

1. Remove the three cover thumb screws.
2. Slide cover toward the rear of the chassis about 1-inch (2 cm) to clear the front panel.
3. Lift cover up.

### To install top cover:

1. Slide cover down onto the chassis about 1-inch (2 cm) from the front panel.
2. Make sure bottom cover slots are engaged on the chassis.
3. Slide cover forward to engage the front cover slots onto the chassis.
4. Install the three cover thumb screws.

## Front panel



### To remove the front panel:

1. Remove the top cover.
2. Release the three top latches while gently pulling the top of the panel outward.
3. Keeping the panel at the same angle, gently pull the panel out from the bottom of the chassis.

### To install the front panel:

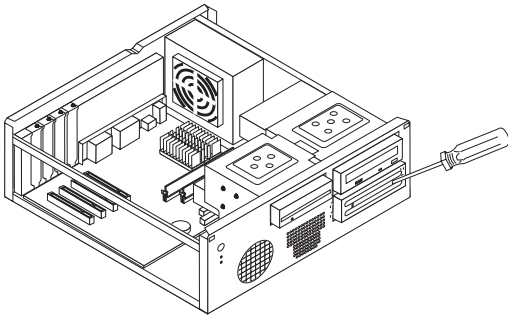
1. At the same angle that the panel was when removed, install the bottom tabs of the panel in the chassis. Push up on the left and right bottom tabs, if necessary, to get the tabs in the holes of the chassis.
2. Push the top of the panel toward the chassis until the three top latches lock in place.

## Front bezel

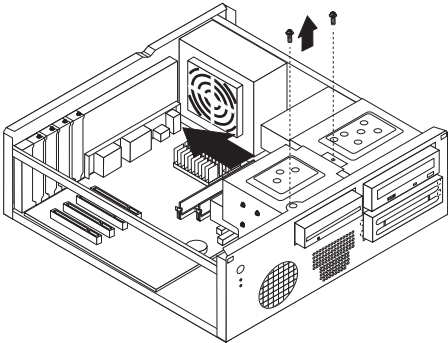
### To remove the front blank bezel:

1. Remove the top cover.
2. Remove the front panel.
3. Unlatch the tabs of the bezel and remove it from the panel.

## EMC shield



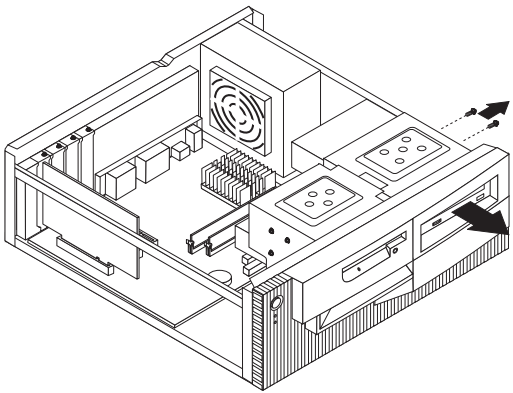
## Diskette/hard drive bracket



### To remove the diskette/hard drive bracket:

1. Remove the top cover.
2. Remove the diskette and hard drives or disconnect their cables.
3. Remove the two top screws securing the bracket.
4. Slide bracket toward the back of the chassis to unlatch it from the chassis.
5. Lift the bracket out of the chassis.

## CD-ROM drive removal



### To remove the CD-ROM drive:

1. Remove the top cover.
2. Remove the cables from the CD-ROM drive.
3. Remove two screws securing the CD-ROM drive.
4. Pull the CD-ROM drive out of the chassis.

#### Note

When connecting the CD-ROM Audio Cable, make sure the cable is routed along the system board near the PCI adapter slots. Continue routing the cable along the system board between the power connector and primary IDE connector and then up to the CD-ROM drive. Do not route the CD-ROM cable near the system board I/O connectors.

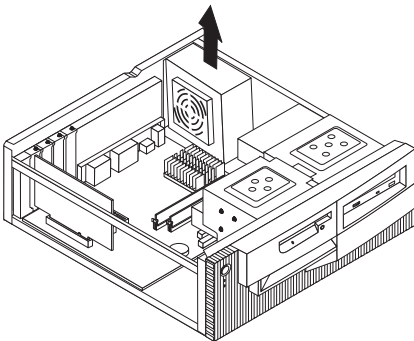
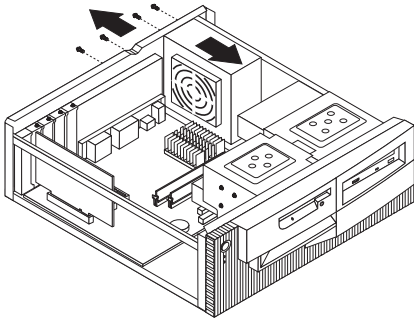
## Power supply removal

### Note

1. Make sure the power supply voltage switch is set to the proper operating voltage; 115V or 230V.

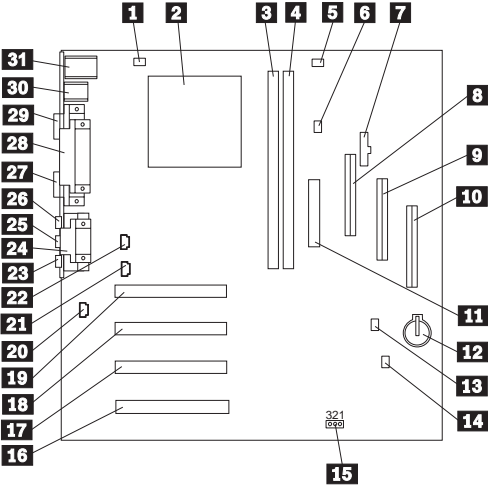
### To remove the power supply:

1. Remove the top cover.
2. Remove the air duct.
3. Disconnect the power supply connectors.
4. Remove the four screws securing the power supply to the chassis.
5. Move power supply inward, then lift out of the chassis.





System board



## System board locations

<b>1</b>	Fan 3 connector
<b>2</b>	Processor socket
<b>3</b>	DIMM socket 0
<b>4</b>	DIMM socket 1
<b>5</b>	Reserved connector (Must be jumpered if present)
<b>6</b>	Alert on LAN
<b>7</b>	Power Switch/LED connector
<b>8</b>	Secondary IDE connector
<b>9</b>	Diskette Drive connector
<b>10</b>	Primary IDE connector
<b>11</b>	Power connector
<b>12</b>	Battery
<b>13</b>	Fan 1
<b>14</b>	Wake on LAN connector
<b>15</b>	CMOS Clear jumper
<b>16</b>	PCI 4 slot
<b>17</b>	PCI 3 slot
<b>18</b>	PCI 2 slot
<b>19</b>	PCI 1 slot
<b>20</b>	Internal Speaker connector
<b>21</b>	CD Audio connector
<b>22</b>	Telephony connector
<b>23</b>	Microphone connector
<b>24</b>	Serial 2 connector (COM B)
<b>25</b>	Line In connector
<b>26</b>	Line Out connector
<b>27</b>	Serial 1 connector (COM A)
<b>28</b>	Parallel connector
<b>29</b>	Display connector
<b>30</b>	USB connectors
<b>31</b>	Mouse/Keyboard connectors

## System board jumper settings

The following table contains the jumper setting information. (D) indicates the default setting.

### CMOS Reset/Flash Boot Block Recovery

Use this jumper setting to Clear CMOS or to Flash Boot Block Recover.

Jumper	Setting	Description
CMOS Reset	2-3	CMOS Reset/ Flash Recovery Mode
	1-2 (D)	Normal Mode

### Processor Speed Settings

Processor speed for the PC 300 type 6268, 6278, 6288/6338, and Aptiva type 2173 computers are fixed and are determined by the processor. There are no settings required.

### Diskette Write Access

Diskette Write Enable and Write Protect options are changed in the Setup Configuration. See "Setup Utility program" on page 41.

---

## Symptom-to-FRU index

The Symptom-to-FRU index lists error symptoms and possible causes. The most likely cause is listed first. Always begin with "General checkout" on page 24. See "IBM PC Enhanced Diagnostics error codes" on page 1 when running diagnostics. This index can also be used to help you decide which FRUs to have available when servicing a computer. If you are unable to correct the problem using this index, go to "Undetermined problem" on page 110.

### Notes

- If you have both an error message and an incorrect audio response, diagnose the error message first.
- If you cannot run the diagnostic tests or you get a diagnostic error code when running a test, but did receive a POST error message, diagnose the POST error message first.
- If you did not receive any error message, look for a description of your error symptoms in the first part of this index.
- Check all power supply voltages before you replace the system board. (See "Power supply" on page 29.)
- Check the hard disk drive jumper settings before you replace a hard disk drive. (See "Hard disk drive jumper settings" on page 54.)

### Important

1. Some errors are indicated with a series of beep codes. (See "Beep symptoms" on page 83.)  
Type 6268/6278/6288/6338/2173 computers default to come up quiet (No beep and no memory count and checkpoint code display) when no errors are detected by POST. To enable Beep and memory count and checkpoint code display when a successful POST occurs:
  - Enable **Power on Status** in setup. See "Setup Utility program" on page 41.
2. The processor is a separate FRU from the system board; the processor is not included with the system board FRU.

## Beep symptoms

Beep symptoms are short tones or a series of short tones separated by pauses (intervals without sound). See the following examples.

Beeps	Description
1-2-X	<ul style="list-style-type: none"> <li>• One Beep</li> <li>• A pause (or break)</li> <li>• Two beeps</li> <li>• A pause (or break)</li> <li>• Any number of beeps</li> </ul>
4	Four continuous beeps

Beep Symptom	FRU/Action
1-1-3 CMOS read/write error	<ol style="list-style-type: none"> <li>1. <b>Run Setup</b></li> <li>2. System Board</li> </ol>
1-1-4 ROM BIOS check error	<ol style="list-style-type: none"> <li>1. <b>System Board</b></li> </ol>
1-2-X DMA error	<ol style="list-style-type: none"> <li>1. <b>System Board</b></li> </ol>
1-3-X	<ol style="list-style-type: none"> <li>1. <b>Memory Module</b></li> <li>2. System Board</li> </ol>
1-4-4	<ol style="list-style-type: none"> <li>1. <b>Keyboard</b></li> <li>2. System Board</li> </ol>
1-4-X Error detected in first 64 KB of RAM.	<ol style="list-style-type: none"> <li>1. <b>Memory Module</b></li> <li>2. System Board</li> </ol>
2-1-1, 2-1-2	<ol style="list-style-type: none"> <li>1. <b>Run Setup</b></li> <li>2. System Board</li> </ol>
2-1-X First 64 KB of RAM failed.	<ol style="list-style-type: none"> <li>1. <b>Memory Module</b></li> <li>2. System Board</li> </ol>
2-2-2	<ol style="list-style-type: none"> <li>1. <b>Video Adapter</b> (if installed)</li> <li>2. System Board</li> </ol>
2-2-X First 64 KB of RAM failed.	<ol style="list-style-type: none"> <li>1. <b>Memory Module</b></li> <li>2. System Board</li> </ol>
2-3-X	<ol style="list-style-type: none"> <li>1. <b>Memory Module</b></li> <li>2. System Board</li> </ol>
2-4-X	<ol style="list-style-type: none"> <li>1. <b>Run Setup</b></li> <li>2. Memory Module</li> <li>3. System Board</li> </ol>
3-1-X DMA register failed.	<ol style="list-style-type: none"> <li>1. <b>System Board</b></li> </ol>
3-2-4 Keyboard controller failed.	<ol style="list-style-type: none"> <li>1. <b>System Board</b></li> <li>2. Keyboard</li> </ol>
3-3-4 Screen initialization failed.	<ol style="list-style-type: none"> <li>1. <b>Video Adapter</b> (if installed)</li> <li>2. System Board</li> <li>3. Display</li> </ol>

Beep Symptom	FRU/Action
<b>3-4-1</b> Screen retrace test detected an error.	<ol style="list-style-type: none"> <li>1. <b>Video Adapter</b> (if installed)</li> <li>2. System Board</li> <li>3. Display</li> </ol>
<b>3-4-2</b> POST is searching for video ROM.	<ol style="list-style-type: none"> <li>1. <b>Video Adapter</b> (if installed)</li> <li>2. System Board</li> </ol>
<b>4</b>	<ol style="list-style-type: none"> <li>1. <b>Video Adapter</b> (if installed)</li> <li>2. System Board</li> </ol>
All other beep code sequences.	1. <b>System Board</b>
One long and one short beep during POST. Base 640 KB memory error or shadow RAM error.	<ol style="list-style-type: none"> <li>1. <b>Memory Module</b></li> <li>2. System Board</li> </ol>
One long beep and two or three short beeps during POST. (Video error)	<ol style="list-style-type: none"> <li>1. <b>Video Adapter</b> (if installed)</li> <li>2. System Board</li> </ol>
Three short beeps during POST.	<ol style="list-style-type: none"> <li>1. <b>See "System board memory" on page 62.</b></li> <li>2. System Board</li> </ol>
Continuous beep.	1. <b>System Board</b>
Repeating short beeps.	<ol style="list-style-type: none"> <li>1. <b>Keyboard stuck key?</b></li> <li>2. Keyboard Cable</li> <li>3. System Board</li> </ol>

## No beep symptoms

### Note

Type 6268/6278/6288/6338/2173 computers default to come up quiet (No beep and no memory count and checkpoint code display) when no errors are detected by POST.

To enable Beep and memory count and checkpoint code display when a successful POST occurs:

- Enable **Power on Status** in setup. See "Setup Utility program" on page 41.

Symptom/Error	FRU/Action
No beep during POST but computer works correctly.	1. <b>System Board</b>

Symptom/Error	FRU/Action
No beep during POST.	<ol style="list-style-type: none"><li>1. <b>See “Undetermined problem” on page 110.</b></li><li>2. System Board</li><li>3. Memory Module</li><li>4. Any Adapter or Device</li><li>5. Riser Card</li><li>6. Power Cord</li><li>7. Power Supply</li></ol>

## POST error codes

In the following index, "X" can represent any number.

POST Error Code	FRU/Action
<b>000</b> SCSI Adapter not enabled.	1. <b>Verify adapter device and Bus Master fields are enabled in PCI configuration program. See documentation shipped with computer.</b>
<b>02X</b>	1. <b>SCSI Adapter</b>
<b>08X</b> Check SCSI terminator installation.	1. <b>SCSI Cable</b> 2. <b>SCSI Terminator</b> 3. <b>SCSI Device</b> 4. <b>SCSI Adapter</b>
<b>101</b> System board interrupt failure.	1. <b>System Board</b>
<b>102</b> System board timer error.	1. <b>System Board</b>
<b>106</b>	1. <b>System Board</b>
<b>110</b> System board memory parity error.	1. <b>Memory Module</b> 2. <b>System Board</b>
<b>111</b> I/O channel parity error.	1. <b>Reseat adapters</b> 2. <b>Any Adapter</b> 3. <b>System Board</b>
<b>114</b> Adapter ROM error.	1. <b>Adapter Memory</b> 2. <b>System Board</b>
<b>129</b> Internal cache test error.	1. <b>Processor</b> 2. <b>L2 Cache Memory</b> 3. <b>System Board</b>
<b>151</b> Real-time clock failure.	1. <b>System Board</b>
<b>161</b> Bad CMOS battery.	1. <b>Run Setup</b> 2. <b>CMOS Backup Battery (See page "Safety information" on page 152.)</b> 3. <b>System Board</b>



POST Error Code	FRU/Action
<b>162</b> Configuration mismatch.	<ol style="list-style-type: none"> <li>1. <b>Run Setup and verify Configuration</b></li> <li>2. Had a device been added, removed, changed location? If not, suspect that device.</li> <li>3. Power-on external devices first, then power-on computer.</li> <li>4. CMOS Backup Battery (See page "Safety information" on page 152.)</li> <li>5. System Board</li> </ol>
<b>162</b> And unable to run diagnostics.	<ol style="list-style-type: none"> <li>1. <b>Diskette Drive</b></li> <li>2. System Board</li> <li>3. Diskette Drive Cable</li> </ol>
<b>163</b> Clock not updating or invalid time set.	<ol style="list-style-type: none"> <li>1. <b>Time and Date Set?</b></li> <li>2. CMOS Backup Battery (See page "Safety information" on page 152.)</li> <li>3. System Board</li> </ol>
<b>164</b> POST detected a base memory or extended memory size mismatch error.	<ol style="list-style-type: none"> <li>1. <b>Run Setup. Check System Summary menu for memory size change. (See "Setup Utility program" on page 41.)</b></li> <li>2. Run the Extended Memory Diagnostic tests.</li> </ol>
<b>166</b> Boot Block Check Sum Error	<ol style="list-style-type: none"> <li>1. <b>Run Flash Recovery using Boot Block. See "Flash recovery boot block jumper" on page 57</b></li> <li>2. System Board</li> </ol>
<b>167</b> Microprocessor installed that is not supported by the current POST/BIOS.	<ol style="list-style-type: none"> <li>1. <b>Run Setup. Check Stepping level for the BIOS level needed, then perform the flash update.</b></li> <li>2. Processor</li> </ol>
<b>168</b> Alert on LAN error	<ol style="list-style-type: none"> <li>1. <b>Run Setup. Check to see that Ethernet and Alert on LAN are enabled.</b></li> <li>2. System Board</li> </ol>
<b>17X, 18X</b>	<ol style="list-style-type: none"> <li>1. <b>C2 Security</b></li> </ol>

POST Error Code	FRU/Action
175	<ol style="list-style-type: none"> <li>1. Run Configuration (See "Setup Utility program" on page 41.)</li> <li>2. System Board</li> </ol>
176	<ol style="list-style-type: none"> <li>1. Covers were removed from the computer.</li> </ol>
177 Corrupted Administrator Password.	<ol style="list-style-type: none"> <li>1. System Board</li> </ol>
178	<ol style="list-style-type: none"> <li>1. System Board</li> </ol>
183	<ol style="list-style-type: none"> <li>1. Enter the administrator password</li> </ol>
184 Password removed due to check-sum error.	<ol style="list-style-type: none"> <li>1. Enter new password</li> </ol>
185 Corrupted boot sequence.	<ol style="list-style-type: none"> <li>1. Set configuration and reinstall the boot sequence.</li> </ol>
186	<ol style="list-style-type: none"> <li>1. System Board</li> </ol>
187	<ol style="list-style-type: none"> <li>1. Clear Administration password</li> <li>2. System Board</li> </ol>
189	<ol style="list-style-type: none"> <li>1. More than three password attempts were made to access the computer.</li> </ol>
190 Chassis intrusion detector was cleared. This is information only, no action required. If this code does not clear:	<ol style="list-style-type: none"> <li>1. System Board</li> </ol>
1XX Not listed above.	<ol style="list-style-type: none"> <li>1. System Board</li> </ol>
201, 20X Memory data error.	<ol style="list-style-type: none"> <li>1. Run Enhanced Diag. Memory Test</li> <li>2. Memory Module</li> <li>3. System Board</li> </ol>
225	<ol style="list-style-type: none"> <li>1. Unsupported Memory</li> </ol>
229 External cache test error.	<ol style="list-style-type: none"> <li>1. L2 Cache Memory</li> <li>2. System Board</li> </ol>

POST Error Code	FRU/Action
<b>262</b> POST detected a base memory or extended memory type error.	<ol style="list-style-type: none"> <li>1. <b>Run Setup. Check System Summary menu for memory type change. (See "Setup Utility program" on page 41.)</b></li> <li>2. Run the Extended Memory Diagnostic tests.</li> </ol>
<b>301</b>	<ol style="list-style-type: none"> <li>1. <b>Keyboard</b></li> <li>2. Keyboard Cable</li> <li>3. System Board</li> </ol>
<b>303</b> With an 8603 error.	<ol style="list-style-type: none"> <li>1. <b>Mouse</b></li> <li>2. Keyboard</li> <li>3. Keyboard Cable</li> <li>4. System Board</li> </ol>
<b>303</b> With no 8603 error.	<ol style="list-style-type: none"> <li>1. <b>Keyboard</b></li> <li>2. Keyboard Cable</li> <li>3. System Board</li> </ol>
<b>3XX</b> Not listed above.	<ol style="list-style-type: none"> <li>1. <b>Keyboard</b></li> <li>2. Keyboard Cable</li> <li>3. System Board</li> </ol>
<b>5XX</b>	<ol style="list-style-type: none"> <li>1. <b>Video Adapter</b> (if installed)</li> <li>2. System Board</li> </ol>
<b>601</b>	<ol style="list-style-type: none"> <li>1. <b>Diskette Drive A</b></li> <li>2. Diskette Drive Cable</li> <li>3. System Board</li> </ol>
<b>602</b>	<ol style="list-style-type: none"> <li>1. <b>Bad Diskette ?</b></li> <li>2. Verify Diskette and retry.</li> </ol>
<b>604</b> And able to run diagnostics.	<ol style="list-style-type: none"> <li>1. <b>Run Setup and verify diskette configuration settings</b></li> <li>2. Diskette Drive A/B</li> <li>3. Diskette Drive Cable</li> <li>4. System Board</li> </ol>
<b>605</b> POST cannot unlock the diskette drive.	<ol style="list-style-type: none"> <li>1. <b>Diskette Drive</b></li> <li>2. Diskette Drive Cable</li> <li>3. System Board</li> </ol>
<b>662</b>	<ol style="list-style-type: none"> <li>1. <b>Diskette drive configuration error or wrong diskette drive type, run Setup Configuration.</b></li> </ol>
<b>6XX</b> Not listed above.	<ol style="list-style-type: none"> <li>1. <b>Diskette Drive</b></li> <li>2. System Board</li> <li>3. External Drive Adapter</li> <li>4. Diskette Drive Cable</li> <li>5. Power Supply</li> </ol>

<b>POST Error Code</b>	<b>FRU/Action</b>
<b>762</b> Math coprocessor configuration error.	<ol style="list-style-type: none"> <li>1. <b>Run Setup</b></li> <li>2. Processor</li> <li>3. System Board</li> </ol>
<b>7XX</b> Not listed above.	<ol style="list-style-type: none"> <li>1. <b>Processor</b></li> <li>2. System Board</li> </ol>
<b>962</b> Parallel port configuration error.	<ol style="list-style-type: none"> <li>1. <b>Run Configuration</b></li> <li>2. Parallel Adapter (if installed)</li> <li>3. System Board</li> </ol>
<b>9XX</b>	<ol style="list-style-type: none"> <li>1. <b>Printer</b></li> <li>2. System Board</li> </ol>
<b>1047</b>	<ol style="list-style-type: none"> <li>1. <b>16-Bit AT Fast SCSI Adapter</b></li> </ol>
<b>107X</b> Check SCSI terminator installation.	<ol style="list-style-type: none"> <li>1. <b>Check SCSI terminator installation.</b></li> <li>2. SCSI Cable</li> <li>3. SCSI Terminator</li> <li>4. SCSI Device</li> <li>5. SCSI Adapter</li> </ol>
<b>1101</b> Serial connector error, possible system board failure.	<ol style="list-style-type: none"> <li>1. <b>Run Enhanced Diagnostics</b></li> </ol>
<b>1101, 1102, 1106, 1108, 1109</b>	<ol style="list-style-type: none"> <li>1. <b>System Board</b></li> <li>2. Any Serial Device</li> </ol>
<b>1107</b>	<ol style="list-style-type: none"> <li>1. <b>Communications Cable</b></li> <li>2. System Board</li> </ol>
<b>1102</b> Card selected feedback error.	<ol style="list-style-type: none"> <li>1. <b>Run Enhanced Diagnostics</b></li> </ol>
<b>1103</b> Port fails register check.	<ol style="list-style-type: none"> <li>1. <b>Run Enhanced Diagnostics</b></li> <li>2. System Board</li> </ol>
<b>1106</b> Serial option cannot be turned off.	<ol style="list-style-type: none"> <li>1. <b>Run Enhanced Diagnostics</b></li> <li>2. System Board</li> </ol>
<b>1107</b>	<ol style="list-style-type: none"> <li>1. <b>Serial Device Cable</b></li> <li>2. System Board</li> </ol>
<b>1110</b> Register test failed.	<ol style="list-style-type: none"> <li>1. <b>Run Enhanced Diagnostics</b></li> <li>2. System Board</li> </ol>
<b>1116</b> Interrupt error.	<ol style="list-style-type: none"> <li>1. <b>Run Enhanced Diagnostics</b></li> </ol>
<b>1117</b> Failed baud rate test.	<ol style="list-style-type: none"> <li>1. <b>Run Enhanced Diagnostics</b></li> </ol>
<b>1162</b> Serial port configuration error.	<ol style="list-style-type: none"> <li>1. <b>Run Configuration</b></li> <li>2. Serial Adapter (if installed)</li> <li>3. System Board</li> </ol>

<b>POST Error Code</b>	<b>FRU/Action</b>
<b>11XX</b> Not listed above.	1. <b>System Board</b>
<b>1201</b>	1. <b>System Board</b> 2. Any Serial Device
<b>1202, 1206, 1208, 1209, 12XX</b>	1. <b>Dual Async Adapter/A</b> 2. System Board 3. Any Serial Device
<b>1207</b>	1. <b>Communications Cable</b> 2. Dual Async Adapter/A
<b>13XX</b>	1. <b>Game Adapter</b>
<b>1402</b> Printer not ready.	Information only
<b>1403</b> No paper error, or interrupt failure.	Information only
<b>1404</b> System board timeout failure.	1. <b>Run Enhanced Diagnostics</b>
<b>1405</b> Parallel adapter error.	1. <b>Run Enhanced Diagnostics</b>
<b>1406</b> Presence test error.	1. <b>Run Enhanced Diagnostics</b>
<b>14XX</b> Not listed above. Check printer before replacing system board.	1. <b>Printer</b> 2. System Board
<b>15XX</b>	1. <b>SDLC Adapter</b>
<b>1692</b> Boot sequence error.	1. <b>Run FDISK to ensure at least one active partition is set active.</b>
<b>16XX</b>	1. <b>36/38 Workstation Adapter</b>
<b>1762</b> Hard disk drive configuration error.	1. <b>Run Configuration (See "Setup Utility program" on page 41.)</b>
<b>1780</b> (Disk Drive 0) <b>1781</b> (Disk Drive 1) <b>1782</b> (Disk Drive 2) <b>1783</b> (Disk Drive 3)	1. <b>See "Power supply" on page 29.</b> 2. Hard Disk Drive 3. System Board 4. Hard Disk Cable 5. Power Supply

POST Error Code	FRU/Action
<b>180X, 188X</b> PCI configuration or resource error.	<ol style="list-style-type: none"> <li>1. <b>Run Setup and verify PCI/ISA configuration settings.</b></li> <li>2. If necessary, set ISA adapters to "Not available" to allow PCI adapters to properly configure.</li> <li>3. Remove any suspect ISA adapters.</li> <li>4. Rerun diagnostics.</li> <li>5. PCI Adapter</li> </ol>
<b>1962</b> Boot sequence error.	<ol style="list-style-type: none"> <li>1. <b>Possible hard disk drive problem, see "Hard disk drive boot error" on page 41.</b></li> </ol>
<b>209X</b>	<ol style="list-style-type: none"> <li>1. <b>Diskette Drive</b></li> <li>2. Diskette Cable</li> <li>3. 16-bit AT Fast SCSI Adapter</li> </ol>
<b>20XX</b> Not listed above	<ol style="list-style-type: none"> <li>1. <b>BSC Adapter</b></li> </ol>
<b>21XX</b>	<ol style="list-style-type: none"> <li>1. <b>SCSI Device</b></li> <li>2. 16-bit AT Fast SCSI Adapter</li> <li>3. Alternate BSC Adapter</li> </ol>
<b>2401, 2402</b> If screen colors change.	<ol style="list-style-type: none"> <li>1. <b>Display</b></li> </ol>
<b>2401, 2402</b> If screen colors are OK.	<ol style="list-style-type: none"> <li>1. <b>System Board</b></li> <li>2. Display</li> </ol>
<b>2409</b>	<ol style="list-style-type: none"> <li>1. <b>Display</b></li> </ol>
<b>2410</b>	<ol style="list-style-type: none"> <li>1. <b>System Board</b></li> <li>2. Display</li> </ol>
<b>2462</b> Video memory configuration error.	<ol style="list-style-type: none"> <li>1. <b>Check cable connections.</b></li> <li>2. Run Setup and verify video configuration settings.</li> <li>3. Video Memory Modules</li> <li>4. Video Adapter (if installed)</li> <li>5. System Board</li> </ol>
<b>3015, 3040</b> Check for missing wrap or terminator plug on the adapter.	<ol style="list-style-type: none"> <li>1. <b>Network Attached?</b></li> <li>2. LF Translator</li> <li>3. Cable Problem</li> <li>4. PC Network Adapter</li> </ol>
<b>30XX</b>	<ol style="list-style-type: none"> <li>1. <b>PC Network Adapter</b></li> <li>2. LF Translator</li> <li>3. Cable Problem?</li> </ol>

POST Error Code	FRU/Action
3115, 3140	<ol style="list-style-type: none"> <li>1. <b>Network Attached?</b></li> <li>2. LF Translator</li> <li>3. Alternate PC Network-Adapter</li> <li>4. Cable Problem</li> </ol>
31XX	<ol style="list-style-type: none"> <li>1. <b>Alternate PC Network Adapter</b></li> <li>2. LF Translator</li> <li>3. Cable Problem</li> </ol>
36XX	<ol style="list-style-type: none"> <li>1. <b>GPIB Adapter</b></li> </ol>
38XX	<ol style="list-style-type: none"> <li>1. <b>DAC Adapter</b></li> </ol>
4611, 4630	<ol style="list-style-type: none"> <li>1. <b>Multiport/2 Interface Board</b></li> <li>2. Multiport/2 Adapter</li> </ol>
4612, 4613 4640, 4641	<ol style="list-style-type: none"> <li>1. <b>Memory Module Package</b></li> <li>2. Multiport/2 Adapter</li> </ol>
4650	<ol style="list-style-type: none"> <li>1. <b>Multiport Interface Cable</b></li> </ol>
46XX Not listed above.	<ol style="list-style-type: none"> <li>1. <b>Multiport/2 Adapter</b></li> <li>2. Multiport/2 Interface Board</li> <li>3. Memory Module</li> </ol>
5600	<ol style="list-style-type: none"> <li>1. <b>Financial System Controller Adapter</b></li> </ol>
5962 An IDE device (other than hard drive) configuration error.	<ol style="list-style-type: none"> <li>1. <b>Run Configuration</b></li> <li>2. CD-ROM Drive</li> <li>3. CD-ROM Adapter</li> <li>4. ZIP or other ATAPI device</li> <li>5. System Board</li> </ol>
62XX	<ol style="list-style-type: none"> <li>1. <b>1st Store Loop Adapter</b></li> <li>2. Adapter Cable</li> </ol>
63XX	<ol style="list-style-type: none"> <li>1. <b>2nd Store Loop Adapter</b></li> <li>2. Adapter Cable</li> </ol>
64XX	<ol style="list-style-type: none"> <li>1. <b>Network Adapter</b></li> </ol>
71XX	<ol style="list-style-type: none"> <li>1. <b>Voice Adapter</b></li> </ol>
74XX	<ol style="list-style-type: none"> <li>1. <b>Video Adapter</b> (if installed)</li> </ol>
76XX	<ol style="list-style-type: none"> <li>1. <b>Page Printer Adapter</b></li> </ol>
78XX	<ol style="list-style-type: none"> <li>1. <b>High Speed Adapter</b></li> </ol>
79XX	<ol style="list-style-type: none"> <li>1. <b>3117 Adapter</b></li> </ol>
80XX	<ol style="list-style-type: none"> <li>1. <b>PCMCIA Adapter</b></li> </ol>
84XX	<ol style="list-style-type: none"> <li>1. <b>Speech Adapter</b></li> <li>2. Speech Control Assy.</li> </ol>
8601, 8602	<ol style="list-style-type: none"> <li>1. <b>Pointing Device</b> (Mouse)</li> <li>2. System Board</li> </ol>

POST Error Code	FRU/Action
<b>8603, 8604</b>	<ol style="list-style-type: none"> <li>1. <b>System Board</b></li> <li>2. Pointing Device (Mouse)</li> </ol>
<b>86XX</b> Not listed above	<ol style="list-style-type: none"> <li>1. <b>Mouse</b></li> <li>2. System Board</li> </ol>
<b>89XX</b>	<ol style="list-style-type: none"> <li>1. <b>PC Music Adapter</b></li> <li>2. MIDI Adapter Unit</li> </ol>
<b>91XX</b>	<ol style="list-style-type: none"> <li>1. <b>Optical Drive</b></li> <li>2. Adapter</li> </ol>
<b>96XX</b>	<ol style="list-style-type: none"> <li>1. <b>SCSI Adapter</b></li> <li>2. Any SCSI Device</li> <li>3. System Board</li> </ol>
<b>10101, 10102, 10104 10105, 10106, 10107 10108, 10109, 10111 10112, 10113, 10114 10115, 10116</b>	<ol style="list-style-type: none"> <li>1. <b>Have customer verify correct operating system device drivers are installed and operational.</b></li> <li>2. Modem</li> </ol>
<b>10103, 10110, 101171</b>	<ol style="list-style-type: none"> <li>1. <b>System Board</b></li> <li>2. Data/Fax Modem</li> </ol>
<b>10117</b> Not listed above.	<ol style="list-style-type: none"> <li>1. <b>Check system speaker</b></li> <li>2. Check PSTN cable</li> <li>3. External DAA (if installed)</li> <li>4. Modem</li> </ol>
<b>10118</b>	<ol style="list-style-type: none"> <li>1. <b>Run Diagnostics and verify the correct operation of the modem slot</b></li> <li>2. Modem</li> </ol>
<b>10119</b>	<ol style="list-style-type: none"> <li>1. <b>Diagnostics detected a non-IBM modem</b></li> <li>2. Modem</li> </ol>
<b>10120</b>	<ol style="list-style-type: none"> <li>1. <b>Check PSTN Cable</b></li> <li>2. External DAA (if installed)</li> <li>3. Modem</li> </ol>
<b>10132, 10133, 10134 10135, 10136, 10137 10138, 10139, 10140 10141, 10142, 10143 10144, 10145, 10146 10147, 10148, 10149 10150, 10151, 10152</b>	<ol style="list-style-type: none"> <li>1. <b>Modem</b></li> </ol>
<b>10153</b>	<ol style="list-style-type: none"> <li>1. <b>Data/Fax Modem</b></li> <li>2. System Board</li> </ol>
<b>101XX</b> Not listed above.	<ol style="list-style-type: none"> <li>1. <b>Modem Adapter/A</b></li> <li>2. Data/Fax Modem</li> <li>3. System Board</li> </ol>



<b>POST Error Code</b>	<b>FRU/Action</b>
<b>10450, 10451, 10490</b> <b>10491, 10492, 10499</b> Read/write error.	<ol style="list-style-type: none"> <li>1. <b>Run Enhanced Diagnostics</b></li> <li>2. Hard Disk Drive</li> <li>3. System Board</li> </ol>
<b>10452</b> Seek test error.	<ol style="list-style-type: none"> <li>1. <b>Run Enhanced Diagnostics</b></li> </ol>
<b>10453</b> Wrong drive type?	Information only
<b>10454</b> Sector buffer test error.	<ol style="list-style-type: none"> <li>1. <b>Run Enhanced Diagnostics</b></li> </ol>
<b>10455, 10456</b> Controller error.	<ol style="list-style-type: none"> <li>1. <b>Run Enhanced Diagnostics</b></li> </ol>
<b>10459</b> Drive diagnostic command error.	Information only
<b>10461</b> Drive format error	<ol style="list-style-type: none"> <li>1. <b>Run Enhanced Diagnostics</b></li> </ol>
<b>10462</b> Controller seek error.	<ol style="list-style-type: none"> <li>1. <b>Run Enhanced Diagnostics</b></li> </ol>
<b>10464</b> Hard Drive read error.	<ol style="list-style-type: none"> <li>1. <b>Run Enhanced Diagnostics</b></li> </ol>
<b>10467</b> Drive non fatal seek error.	<ol style="list-style-type: none"> <li>1. <b>Run Enhanced Diagnostics</b></li> </ol>
<b>10468</b> Drive fatal seek error.	<ol style="list-style-type: none"> <li>1. <b>Run Enhanced Diagnostics</b></li> </ol>
<b>10469</b> Drive soft error count exceeded.	<ol style="list-style-type: none"> <li>1. <b>Run Enhanced Diagnostics</b></li> </ol>
<b>10470, 10471, 10472</b> Controller wrap error.	<ol style="list-style-type: none"> <li>1. <b>Run Enhanced Diagnostics</b></li> </ol>
<b>10473</b> Corrupt data. Low level format might be required.	Information only
<b>10480</b>	<ol style="list-style-type: none"> <li>1. <b>Hard Disk Drive (ESDI)</b></li> <li>2. Drive Cable</li> <li>3. System Board</li> </ol>
<b>10481</b> ESDI drive D seek error.	<ol style="list-style-type: none"> <li>1. <b>Run Enhanced Diagnostics</b></li> </ol>
<b>10482</b> Drive select acknowledgement bad.	<ol style="list-style-type: none"> <li>1. <b>Run Enhanced Diagnostics</b></li> </ol>
<b>106X1</b>	<ol style="list-style-type: none"> <li>1. <b>Check Configuration</b></li> <li>2. Ethernet Adapter</li> </ol>
<b>10635</b>	<ol style="list-style-type: none"> <li>1. <b>Power-off computer, wait ten seconds; then power-on the computer.</b></li> <li>2. Ethernet Adapter</li> </ol>

POST Error Code	FRU/Action
<b>10651, 10660</b>	<ol style="list-style-type: none"> <li>1. <b>Check Cables</b></li> <li>2. Ethernet Adapter</li> </ol>
<b>106XX</b> Not listed above.	<ol style="list-style-type: none"> <li>1. <b>Ethernet Adapter</b></li> </ol>
<b>107XX</b>	<ol style="list-style-type: none"> <li>1. <b>5.25-inch External Diskette Drive</b></li> <li>2. 5.25-inch Diskette Drive Adapter/A</li> </ol>
<b>109XX</b> Check the adapter cables.	<ol style="list-style-type: none"> <li>1. <b>ActionMedia Adapter/A</b></li> <li>2. System Board</li> </ol>
<b>112XX</b> This adapter does not have cache.	<ol style="list-style-type: none"> <li>1. <b>SCSI Adapter</b></li> <li>2. Any SCSI Device</li> <li>3. System Board</li> </ol>
<b>119XX</b>	<ol style="list-style-type: none"> <li>1. <b>3119 Adapter</b></li> </ol>
<b>121XX</b>	<ol style="list-style-type: none"> <li>1. <b>Modem Adapter</b></li> <li>2. Any Serial Device</li> <li>3. System Board</li> </ol>
<b>136XX</b>	<ol style="list-style-type: none"> <li>1. <b>ISDN Primary Rate Adapter</b></li> <li>2. System Board</li> </ol>
<b>137XX</b>	<ol style="list-style-type: none"> <li>1. <b>System Board</b></li> </ol>
<b>141XX</b>	<ol style="list-style-type: none"> <li>1. <b>Realtime Interface Coprocessor Portmaster™ Adapter/A</b></li> </ol>
<b>143XX</b>	<ol style="list-style-type: none"> <li>1. <b>Japanese Display Adapter</b></li> <li>2. System Board</li> </ol>
<b>14710, 14711</b>	<ol style="list-style-type: none"> <li>1. <b>System Board Video Adapter</b></li> <li>2. Adapter Video Memory</li> </ol>
<b>148XX</b>	<ol style="list-style-type: none"> <li>1. <b>Video Adapter</b></li> </ol>
<b>14901, 14902</b> <b>1491X, 14922</b>	<ol style="list-style-type: none"> <li>1. <b>Video Adapter</b> (if installed)</li> <li>2. System Board</li> <li>3. Display (any type)</li> </ol>
<b>14932</b>	<ol style="list-style-type: none"> <li>1. <b>External Display</b></li> <li>2. Video Adapter</li> </ol>
<b>161XX</b>	<ol style="list-style-type: none"> <li>1. <b>FaxConcentrator™ Adapter</b></li> </ol>
<b>164XX</b>	<ol style="list-style-type: none"> <li>1. <b>120 MB Internal Tape Drive</b></li> <li>2. Diskette Cable</li> <li>3. System Board</li> </ol>
<b>16500</b>	<ol style="list-style-type: none"> <li>1. <b>6157 Tape Attachment Adapter</b></li> </ol>
<b>16520, 16540</b>	<ol style="list-style-type: none"> <li>1. <b>6157 Streaming Tape Drive</b></li> <li>2. 6157 Tape Attachment Adapter</li> </ol>

POST Error Code	FRU/Action
166XX, 167XX	<ol style="list-style-type: none"> <li>1. Token Ring Adapter</li> <li>2. System Board</li> </ol>
18001 to 18029	<ol style="list-style-type: none"> <li>1. Wizard Adapter</li> <li>2. Wizard Adapter Memory</li> </ol>
18031 to 18039	<ol style="list-style-type: none"> <li>1. Wizard Adapter Cable</li> </ol>
185XXXX	<ol style="list-style-type: none"> <li>1. DBCS Japanese Display Adapter/A</li> <li>2. System Board</li> </ol>
20001 to 20003	<ol style="list-style-type: none"> <li>1. Image Adapter/A Image-I Adapter/A</li> <li>2. Memory Module DRAM, VRAM</li> </ol>
20004	<ol style="list-style-type: none"> <li>1. Memory Module DRAM, VRAM</li> <li>2. Image Adapter/A Image-I Adapter/A</li> </ol>
20005 to 20010	<ol style="list-style-type: none"> <li>1. Image Adapter/A Image-I Adapter/A</li> <li>2. Memory Module DRAM, VRAM</li> </ol>
200XX Not listed above.	<ol style="list-style-type: none"> <li>1. Image Adapter/A Image-I Adapter/A</li> <li>2. Memory Module DRAM, VRAM</li> <li>3. System Board</li> </ol>
20101 to 20103	<ol style="list-style-type: none"> <li>1. Printer/Scanner Option</li> <li>2. Image Adapter/A</li> <li>3. Memory Module DRAM, VRAM</li> </ol>
20104	<ol style="list-style-type: none"> <li>1. Memory Module DRAM, VRAM</li> <li>2. Printer/Scanner Option</li> <li>3. Image Adapter/A</li> </ol>
20105 to 20110	<ol style="list-style-type: none"> <li>1. Printer/Scanner Option</li> <li>2. Image Adapter/A</li> <li>3. Memory Module DRAM, VRAM</li> </ol>
Image Adapter/A Memory Test failure indicated by graphic of adapter.	<ol style="list-style-type: none"> <li>1. Replace memory module (shown in graphic.)</li> </ol>
206XX	<ol style="list-style-type: none"> <li>1. SCSI-2 Adapter</li> <li>2. Any SCSI Device</li> <li>3. System Board</li> </ol>
208XX Verify there are no duplicate SCSI ID settings on the same bus.	<ol style="list-style-type: none"> <li>1. Any SCSI Device</li> </ol>

POST Error Code	FRU/Action
<b>210XXXX</b> Internal bus, size unknown. <b>210XXX1</b> External bus, size unknown.	<ol style="list-style-type: none"> <li>1. <b>SCSI Hard Disk Drive</b></li> <li>2. SCSI Adapter or System Board</li> <li>3. SCSI Cable</li> <li>4. SCSI ID Switch (on some models)</li> </ol>
<b>Tape Drive amber LED remains on.</b>	<ol style="list-style-type: none"> <li>1. <b>Tape Drive</b></li> <li>2. SCSI Cable (internal)</li> <li>3. SCSI Adapter or System Board</li> </ol>
<b>Tape Drive green "in use" LED fails to come on.</b>	<ol style="list-style-type: none"> <li>1. <b>Tape Drive</b></li> <li>2. SCSI Adapter or System Board</li> <li>3. SCSI Cable (internal) SCSI Cable (external)</li> </ol>
<b>Tape automatically ejected from drive.</b>	<ol style="list-style-type: none"> <li>1. <b>Tape Cassette</b></li> <li>2. Drive</li> </ol>
<b>SCSI ID on rotary switch does not match SCSI ID set in configuration. Verify drive switches inside cover are set to zero.</b>	<ol style="list-style-type: none"> <li>1. <b>Rotary Switch Circuit Board</b></li> <li>2. Circuit Board Cable</li> <li>3. Tape Drive</li> </ol>
<b>Tape sticks/breaks in drive.</b> Verify that the tapes used meet ANSI standard X3B5.	<ol style="list-style-type: none"> <li>1. <b>Tape Cassette</b></li> </ol>
<b>212XX</b>	<ol style="list-style-type: none"> <li>1. <b>SCSI Printer</b></li> <li>2. Printer Cable</li> </ol>
<b>213XX</b>	<ol style="list-style-type: none"> <li>1. <b>SCSI Processor</b></li> </ol>
<b>214XX</b>	<ol style="list-style-type: none"> <li>1. <b>WORM Drive</b></li> </ol>
<b>215XXXC</b> <b>215XXXD</b> <b>215XXXE</b> <b>215XX XU</b> If an external device, and power-on LED is off, check external voltages.	<ol style="list-style-type: none"> <li>1. <b>CD-ROM Drive I</b> <b>CD-ROM Drive II</b> <b>Enhanced CD-ROM Drive II</b> <b>Any CD-ROM Drive</b></li> <li>2. SCSI Cable</li> <li>3. SCSI Adapter or System Board</li> </ol>
<b>216XX</b>	<ol style="list-style-type: none"> <li>1. <b>Scanner</b></li> </ol>
<b>217XX</b> If an external device, and power-on LED is off, check external voltages.	<ol style="list-style-type: none"> <li>1. <b>Rewritable Optical Drive</b></li> <li>2. SCSI Adapter or System Board</li> <li>3. SCSI Cable</li> </ol>
<b>218XX</b> Check for multi CD tray, or juke box.	<ol style="list-style-type: none"> <li>1. <b>Changer</b></li> </ol>
<b>219XX</b>	<ol style="list-style-type: none"> <li>1. <b>SCSI Communications Device</b></li> </ol>

<b>POST Error Code</b>	<b>FRU/Action</b>
<b>24201Y0, 24210Y0</b> Be sure wrap plug is attached.	<ol style="list-style-type: none"> <li>1. <b>ISDN/2 Adapter</b></li> <li>2. ISDN/2 Wrap Plug</li> <li>3. ISDN/2 Communications Cable</li> </ol>
<b>273XX</b>	<ol style="list-style-type: none"> <li>1. <b>1 Mbps Micro Channel Infrared LAN Adapter</b></li> </ol>
<b>27501, 27503</b> <b>27506, 27507</b>	<ol style="list-style-type: none"> <li>1. <b>ServerGuard Adapter</b></li> <li>2. System Board</li> </ol>
<b>27502, 27504, 27510</b> <b>27511, 27533, 27534</b> <b>27536, 27537</b>	<ol style="list-style-type: none"> <li>1. <b>ServerGuard Adapter</b></li> </ol>
<b>27509</b>	<ol style="list-style-type: none"> <li>1. <b>Remove redundant adapters, run Auto Configuration program, then retest.</b></li> </ol>
<b>27512</b>	<ol style="list-style-type: none"> <li>1. <b>WMSELF.DGS diagnostics file missing.</b></li> <li>2. WMSELF.DGS diagnostics file incorrect.</li> </ol>
<b>27535</b>	<ol style="list-style-type: none"> <li>1. <b>3V Lithium Backup Battery</b></li> <li>2. ServerGuard Adapter</li> </ol>
<b>27554</b>	<ol style="list-style-type: none"> <li>1. <b>Internal Temperature out of range</b></li> <li>2. ServerGuard Adapter</li> </ol>
<b>27555, 27556</b>	<ol style="list-style-type: none"> <li>1. <b>ServerGuard Adapter</b></li> <li>2. Power Supply</li> </ol>
<b>27557</b>	<ol style="list-style-type: none"> <li>1. <b>7.2V NiCad Main Battery Pack</b></li> <li>2. ServerGuard Adapter</li> </ol>
<b>27558, 27559</b> <b>27560, 27561</b>	<ol style="list-style-type: none"> <li>1. <b>PCMCIA Type II Modem</b></li> <li>2. ServerGuard Adapter</li> </ol>
<b>27562</b>	<ol style="list-style-type: none"> <li>1. <b>External Power Control not connected</b></li> <li>2. External Power Control</li> <li>3. ServerGuard Adapter</li> </ol>
<b>27563, 27564</b>	<ol style="list-style-type: none"> <li>1. <b>External Power Control</b></li> <li>2. ServerGuard Adapter</li> </ol>
<b>275XX</b>	<ol style="list-style-type: none"> <li>1. <b>Update Diagnostic Software</b></li> </ol>
<b>27801 to 27879</b>	<ol style="list-style-type: none"> <li>1. <b>Personal Dictation System Adapter</b></li> <li>2. System Board</li> </ol>
<b>27880 to 27889</b>	<ol style="list-style-type: none"> <li>1. <b>External FRU (Speaker, Microphone)</b></li> </ol>

POST Error Code	FRU/Action
I999030X Hard disk reset failure.	<b>Possible hard disk drive problem, see “Hard disk drive boot error” on page 41.</b>

## Error messages

Error Message/Symptom	FRU/Action
<p><b>Address Exceeds the Size of Your Memory</b> An invalid memory address was entered. Diagnostics Tests display this message during the Locate Bad Chips option.</p>	<ol style="list-style-type: none"> <li>1. <b>Enter the correct address.</b></li> <li>2. Memory Module</li> <li>3. System Board</li> </ol>
<p><b>Arithmetic Functions Failed</b> An error was detected during the CPU Test.</p>	<ol style="list-style-type: none"> <li>1. <b>Microprocessor</b></li> <li>2. System Board</li> </ol>
<p><b>Base Memory Test Failed</b> An error was detected in base memory.</p>	<ol style="list-style-type: none"> <li>1. <b>Memory Module</b></li> <li>2. System Board</li> </ol>
<p><b>Boot Sector Unreadable</b> A boot sector read error was detected on the hard disk drive.</p>	<ol style="list-style-type: none"> <li>1. <b>Hard Disk Drive</b></li> <li>2. Hard Disk Drive Cable</li> <li>3. Hard Disk Drive Adapter (if installed)</li> <li>4. System Board</li> </ol>
<p><b>Bus Noise Test Failed</b> RAM Test detected an error in the memory bus.</p>	<ol style="list-style-type: none"> <li>1. <b>Memory Module</b></li> <li>2. System Board</li> </ol>
<p><b>Butterfly Cylinder Access Test Failed</b> Hard Disk Drive Test detected mismatch between the data read and the data stored on the drive.</p>	<ol style="list-style-type: none"> <li>1. <b>Hard Disk Drive</b></li> <li>2. Hard Disk Drive Cable</li> <li>3. Hard Disk Drive Adapter (if installed)</li> <li>4. System Board</li> </ol>
<p><b>Clock Stopped</b> Real-time clock has stopped working.</p>	<ol style="list-style-type: none"> <li>1. <b>Real-Time Clock Assembly</b></li> <li>2. System Board</li> </ol>
<p><b>CMOS Clock Test Failed</b> Time and Date Settings for CMOS and DOS <b>do not</b> Match.</p>	<ol style="list-style-type: none"> <li>1. <b>Real-Time Clock Assembly</b></li> <li>2. System Board</li> </ol>
<p><b>Controller Diagnostic Test Failed</b> An error was detected while testing the Hard Disk Controller (Adapter).</p>	<ol style="list-style-type: none"> <li>1. <b>Hard Disk Drive Adapter</b> (if installed)</li> <li>2. Hard Disk Drive</li> <li>3. System Board</li> </ol>
<p><b>Cylinder 0 errors</b> Test detected an error reading the first cylinder of the hard disk drive.</p>	<ol style="list-style-type: none"> <li>1. <b>Hard Disk Drive</b></li> <li>2. Hard Disk Drive Adapter (if installed)</li> <li>3. System Board</li> </ol>
<p><b>Device is Not Ready Ready the Device... or Press Any Key</b></p>	<ol style="list-style-type: none"> <li>1. <b>Ensure the device is powered-on.</b></li> <li>2. Replace failing device</li> <li>3. Device Adapter (if installed)</li> <li>4. System Board</li> </ol>

<b>Error Message/Symptom</b>	<b>FRU/Action</b>
<b>Disk Error Encountered Opening Output File Press Any Key To Continue.</b>	<ol style="list-style-type: none"> <li>1. <b>Hard Disk Drive</b></li> <li>2. Hard Disk Drive Adapter (if installed)</li> <li>3. System Board</li> </ol>
<b>DMA #X Failed</b> Main Components Test detected an error while testing the DMA controller.	<ol style="list-style-type: none"> <li>1. <b>System Board</b></li> </ol>
<b>DMA Page Register Failed</b> DMA page register error	<ol style="list-style-type: none"> <li>1. <b>System Board</b></li> </ol>
<b>Drive (x) Media (y) Mismatch</b> FAT ID mismatch with installed drive.	<ol style="list-style-type: none"> <li>1. <b>Check diskette and diskette drive capacity.</b></li> <li>2. Diskette Drive</li> <li>3. System Board</li> </ol>
<b>Error in video buffer. Bad bits.</b> Video memory test error.	<ol style="list-style-type: none"> <li>1. <b>Video Adapter</b> (if installed)</li> <li>2. System Board</li> <li>3. Display</li> </ol>
<b>Exception Interrupt In Protected Mode Diags Cannot Continue</b> Server error, remove one adapter at a time until the symptom goes away.	<ol style="list-style-type: none"> <li>1. <b>Any Adapter</b></li> <li>2. System Board</li> <li>3. Processor</li> </ol>
<b>Extended Memory Test Failed</b> Extended memory error.	<ol style="list-style-type: none"> <li>1. <b>Memory Module</b></li> <li>2. System Board</li> </ol>
<b>Floppy Drive Failed</b> Diskette drive(s) failed.	<ol style="list-style-type: none"> <li>1. <b>Diskette Drive</b></li> <li>2. System Board</li> <li>3. Diskette Drive Cable</li> </ol>
<b>General Function Failed</b> Remove one adapter at a time until the symptom goes away.	<ol style="list-style-type: none"> <li>1. <b>Any Adapter</b></li> <li>2. System Board</li> <li>3. Processor</li> </ol>
<b>Hard Drives Failed</b> Hard Disk Drive test error.	<ol style="list-style-type: none"> <li>1. <b>Hard Disk Drive</b></li> <li>2. Hard Disk Drive Adapter (if installed)</li> <li>3. System Board</li> </ol>
<b>Incorrect DOS version</b>	<ol style="list-style-type: none"> <li>1. <b>Ensure you are using DOS version 3.0 or higher.</b></li> </ol>
<b>INT Mask Register Failed</b> INT Mask Register error.	<ol style="list-style-type: none"> <li>1. <b>Microprocessor</b></li> <li>2. System Board</li> </ol>
<b>Invalid Date</b> Clock/DOS date mismatch.	<ol style="list-style-type: none"> <li>1. <b>Real-Time Clock Assembly</b></li> <li>2. System Board</li> </ol>



<b>Error Message/Symptom</b>	<b>FRU/Action</b>
<b>Invalid Time</b> Clock/DOS time mismatch. Back-up clock and DOS time of day settings do not match.	1. <b>Real-Time Clock  Assembly</b> 2. System Board
<b>Linear Cylinder Access  Test Failed</b> Hard disk drive error.	1. <b>Hard Disk Drive</b> 2. Hard Disk Drive Cable 3. Hard Disk Drive Adapter (if installed) 4. System Board
<b>Logic Function Failed</b> CPU Logic test error.	1. <b>Microprocessor</b> 2. System Board
<b>Loopback Error</b> COM Port Test or Parallel Port error.  A wrap plug must be installed to successfully complete these tests.	1. <b>System Board</b> 2. Wrap Plug
<b>Main Components Failed</b> System board error.	1. <b>System Board</b> 2. Processor
<b>Memory test cannot run at  this location in memory</b> Not enough free memory available to start the memory test.	1. <b>Memory Module</b> 2. System Board
<b>NO LOOP-BACK PLUG.  Skipping External  loopback test</b> No wrap plug installed.	1. <b>Install wrap plug on  the serial port, rerun  test.</b> 2. System Board
<b>Not ready</b> Printer not on-line or not ready.	1. <b>Ready Printer</b> 2. Printer 3. Printer Cable 4. System Board
<b>No 'type-amatic' repeat</b> At least one repeat key must be tested during this test or an error will occur. Type-amatic test error.	1. <b>Keyboard</b> 2. System Board
<b>Not used by any standard  device</b> IRQ is not currently being used by a non-standard device.	1. <b>System Board</b>
<b>Numeric Proc Failed</b> NPU test error.	1. <b>Microprocessor</b> 2. System Board
<b>Parallel Ports Failed</b> Test Report Summary message.	1. <b>System Board</b>

<b>Error Message/Symptom</b>	<b>FRU/Action</b>
<b>Pass (N): ** Errors ** Drive (X) Failed</b> Diskette drive read/write test error.	<ol style="list-style-type: none"> <li>1. <b>Diskette Drive</b></li> <li>2. System Board</li> <li>3. Diskette Drive Cable</li> </ol>
<b>Pass (N) Drive Not Ready</b> Diskette drive door is open or defective.	<ol style="list-style-type: none"> <li>1. <b>Ensure diskette drive is ready.</b></li> <li>2. Diskette Drive</li> <li>3. System Board</li> <li>4. Diskette Drive Cable</li> </ol>
<b>Pass (N): Drive (X) Write Protected or Unformatted</b>	<ol style="list-style-type: none"> <li>1. <b>Insert a non-write protected, formatted diskette into the diskette drive; then rerun the test.</b></li> <li>2. Diskette Drive</li> <li>3. System Board</li> <li>4. Diskette Drive Cable</li> </ol>
<b>Pass (N): Unknown Media Drive (X)</b> Diskette Drive Test error.	<ol style="list-style-type: none"> <li>1. <b>Diskette</b></li> <li>2. Diskette Drive</li> <li>3. System Board</li> <li>4. Diskette Drive Cable</li> </ol>
<b>Place Hi-density Media in Drive</b> Media/drive mismatch.	<ol style="list-style-type: none"> <li>1. <b>Diskette</b></li> <li>2. Diskette Drive</li> <li>3. System Board</li> <li>4. Diskette Drive Cable</li> </ol>
<b>Printer Failed</b> Printer powered-on and ready?	<ol style="list-style-type: none"> <li>1. <b>Printer</b></li> <li>2. Printer Cable</li> <li>3. System Board</li> </ol>
<b>Printer Fault</b> Printer powered-on and ready?	<ol style="list-style-type: none"> <li>1. <b>Printer</b></li> <li>2. Printer Cable</li> <li>3. System Board</li> </ol>
<b>Printer Not Selected</b> Ensure the printer is powered-on and ready.	<ol style="list-style-type: none"> <li>1. <b>Printer</b></li> <li>2. Printer Cable</li> <li>3. System Board</li> </ol>
<b>Program or File Not Found Press Any Key</b> Diagnostics cannot find the USER(N).COM file.	<ol style="list-style-type: none"> <li>1. <b>Diagnostic Diskette</b></li> <li>2. Diskette Drive</li> <li>3. System Board</li> </ol>
<b>Program Too Big To Fit In Memory</b> Too many Terminate and Stay Resident programs in memory.	<ol style="list-style-type: none"> <li>1. <b>Reboot the system from the Diagnostic Diskette.</b></li> </ol>
<b>RAM Memory Error in Block n. Bad bits n</b> Memory error.	<ol style="list-style-type: none"> <li>1. <b>Memory Module</b></li> <li>2. System Board</li> </ol>
<b>RAM Test Failed</b> Memory error.	<ol style="list-style-type: none"> <li>1. <b>Memory Module</b></li> <li>2. System Board</li> </ol>

<b>Error Message/Symptom</b>	<b>FRU/Action</b>
<b>Read error on cylinder n</b> Hard disk drive format error.	<ol style="list-style-type: none"> <li>1. <b>Hard Disk Drive</b></li> <li>2. Hard Disk Drive Adapter (if installed)</li> <li>3. System Board</li> </ol>
<b>Read Errors</b> Diskette drive read error.	<ol style="list-style-type: none"> <li>1. <b>Diskette</b></li> <li>2. Diskette Drive</li> <li>3. System Board</li> <li>4. Diskette Drive Cable</li> </ol>
<b>Receive Error</b> Serial Port loopback test error.	<ol style="list-style-type: none"> <li>1. <b>Serial Port Cable</b></li> <li>2. System Board</li> </ol>
<b>Refresh Failure</b> Diagnostics Test detected an error while testing the DMA controller's RAM refresh cycle.	<ol style="list-style-type: none"> <li>1. <b>Memory Module</b></li> <li>2. System Board</li> </ol>
<b>RTC Interrupt Failure</b> Diagnostics Test cannot detect the Real-Time clock interrupt.	<ol style="list-style-type: none"> <li>1. <b>Real-Time Clock Assembly</b></li> <li>2. System Board</li> </ol>
<b>Serial Chip Error</b> COM Port error, general.	<ol style="list-style-type: none"> <li>1. <b>Serial Port Cable</b></li> <li>2. System Board</li> </ol>
<b>Serial Compare Error</b> COM Port error, information transmitted is not the same as information received.	<ol style="list-style-type: none"> <li>1. <b>Serial Port Cable</b></li> <li>2. System Board</li> </ol>
<b>Serial Time-out Error</b> COM Port error, time interval is too long between transmitted and received data.	<ol style="list-style-type: none"> <li>1. <b>Serial Port Cable</b></li> <li>2. System Board</li> </ol>
<b>Serious Memory Error — Diags Cannot Continue</b> Memory Test error.	<ol style="list-style-type: none"> <li>1. <b>Memory Module</b></li> <li>2. System Board</li> </ol>
<b>Sorry You Need A Mouse</b> Mouse or mouse driver was not detected.	<ol style="list-style-type: none"> <li>1. <b>Mouse</b></li> <li>2. System Board</li> </ol>
<b>System Hangs</b> Go to "Undetermined problem" on page 110.	<ol style="list-style-type: none"> <li>1. <b>Any device</b></li> <li>2. Any adapter</li> <li>3. System Board</li> </ol>
<b>The Address Exceeds The Size Of Your Memory</b> An invalid memory address was entered. The Diagnostics Tests display this message during the Locate Bad Chips option under the interact menu if an invalid memory address was entered at the "Enter Memory Address Of Bad Chip" prompt.	<ol style="list-style-type: none"> <li>1. <b>Enter correct address</b></li> <li>2. Memory Module</li> <li>3. System Board</li> </ol>

Error Message/Symptom	FRU/Action
<p><b>That Number is Out Of Range</b> An invalid bit number was entered. Diagnostics Tests display this message during the Locate Bad Chips option.</p>	<ol style="list-style-type: none"> <li>1. <b>Enter the correct number.</b></li> <li>2. Memory Module</li> <li>3. System Board</li> </ol>
<p><b>Too Many Errors — Test Aborted</b> Too many errors, the Diagnostics Test cannot continue.</p>	<ol style="list-style-type: none"> <li>1. <b>Microprocessor</b></li> <li>2. System Board</li> </ol>
<p><b>Transmit Error</b> Internal or external serial port loopback test failure.</p>	<ol style="list-style-type: none"> <li>1. <b>Serial Port Cable</b></li> <li>2. System Board</li> </ol>
<p><b>Video Adapter Failed</b> Test Result Summary, displayed if "Fail" was at the Quit/Fail/Pass menu of any video test.</p>	<ol style="list-style-type: none"> <li>1. <b>Video Adapter</b> (if installed)</li> <li>2. System Board</li> <li>3. Display</li> </ol>
<p><b>Write error on cylinder n</b> Hard disk drive write error.</p>	<ol style="list-style-type: none"> <li>1. <b>Hard Disk Drive</b></li> <li>2. Hard Disk Drive Adapter (if installed)</li> </ol>
<p><b>Write Errors</b> Diskette drive write error.</p>	<ol style="list-style-type: none"> <li>1. <b>Diskette</b></li> <li>2. Diskette Drive</li> <li>3. System Board</li> <li>4. Diskette Drive Cable</li> </ol>
<p><b>Write Protected or Unformatted</b> Diskette is Write Protected or not formatted.</p>	<ol style="list-style-type: none"> <li>1. <b>Insert a non-write protected, formatted diskette into the diskette drive; then rerun the test.</b></li> <li>2. Diskette Drive</li> <li>3. System Board</li> <li>4. Diskette Drive Cable</li> </ol>
<p><b>You Cannot Delete the Motherboard</b> "Remove Board" option was selected. The Diagnostics Tests display this message during the Locate Bad Chips option.</p>	<ol style="list-style-type: none"> <li>1. <b>Make the correct selection.</b></li> <li>2. Memory Module</li> <li>3. System Board</li> <li>4. Processor</li> </ol>

## Miscellaneous error messages

Message/Symptom	FRU/Action
CMOS Backup Battery inaccurate.	<ol style="list-style-type: none"> <li>1. <b>CMOS Backup Battery</b> See page "Safety information" on page 152.</li> <li>2. System Board</li> </ol>
Changing colors.	<ol style="list-style-type: none"> <li>1. <b>Display</b></li> </ol>
Computer will <b>not</b> power-off. See "Power supply" on page 29.	<ol style="list-style-type: none"> <li>1. <b>Power Switch</b></li> <li>2. System Board</li> </ol>
Computer will <b>not</b> RPL from server	<ol style="list-style-type: none"> <li>1. <b>Ensure Network is in startup sequence as first device or first device after diskette.</b></li> <li>2. Ensure Network adapter is enabled for RPL.</li> <li>3. Network adapter (Advise network administrator of new MAC address)</li> </ol>
Computer will <b>not</b> Wake On LAN <sup>™</sup>	<ol style="list-style-type: none"> <li>1. <b>Check power supply and signal cable connections to network adapter.</b></li> <li>2. Ensure Wake On LAN feature is enabled in Setup/Configuration. See "Setup Utility program" on page 41.</li> <li>3. Ensure network administrator is using correct MAC address.</li> <li>4. Ensure no interrupt or I/O address conflicts.</li> <li>5. Network adapter (Advise network administrator of new MAC address)</li> </ol>
Dead computer. See "Power supply" on page 29.	<ol style="list-style-type: none"> <li>1. <b>Power Switch</b></li> <li>2. Power Supply</li> <li>3. System Board</li> </ol>
Diskette drive in-use light remains on or does not light when drive is active.	<ol style="list-style-type: none"> <li>1. <b>Diskette Drive</b></li> <li>2. System Board</li> <li>3. Diskette Drive Cable</li> </ol>
Flashing cursor with an otherwise blank display.	<ol style="list-style-type: none"> <li>1. <b>System Board</b></li> <li>2. Primary Hard Disk Drive</li> <li>3. Hard Disk Drive Cable</li> </ol>
Incorrect memory size during POST.	<ol style="list-style-type: none"> <li>1. <b>Run the Memory tests.</b></li> <li>2. Memory Module</li> <li>3. System Board</li> </ol>

Message/Symptom	FRU/Action
"Insert a Diskette" icon appears with a known-good diagnostics diskette in the first 3.5-inch diskette drive.	<ol style="list-style-type: none"> <li>1. <b>Diskette Drive</b></li> <li>2. System Board</li> <li>3. Diskette Drive Cable</li> <li>4. Network Adapter</li> </ol>
Intensity or color varies from left to right of characters and color bars.	<ol style="list-style-type: none"> <li>1. <b>Display</b></li> <li>2. System Board</li> </ol>
No power, or fan not running.	<ol style="list-style-type: none"> <li>1. <b>See "Power supply" on page 29.</b></li> </ol>
Nonsystem disk or disk error-type message with a known-good diagnostic diskette.	<ol style="list-style-type: none"> <li>1. <b>Diskette Drive</b></li> <li>2. System Board</li> <li>3. Diskette Drive Cable</li> </ol>
Other display symptoms not listed above (including blank or illegible display).	<ol style="list-style-type: none"> <li>1. <b>See "Display" on page 31.</b></li> <li>2. System Board</li> <li>3. Display</li> </ol>
Power-on indicator or hard disk drive in-use light not on, but computer works correctly.	<ol style="list-style-type: none"> <li>1. <b>Power Supply</b></li> <li>2. System Board</li> <li>3. LED Cables</li> </ol>
Printer problems.	<ol style="list-style-type: none"> <li>1. <b>See "Printer" on page 28.</b></li> </ol>
Program loads from the hard disk with a known-good diagnostics diskette in the first 3.5-inch diskette drive.	<ol style="list-style-type: none"> <li>1. <b>Run Setup</b></li> <li>2. Diskette Drive</li> <li>3. Diskette Drive Cable</li> <li>4. System Board</li> <li>5. Power Supply</li> </ol>
RPL computer cannot access programs from its own hard disk.	<ol style="list-style-type: none"> <li>1. <b>If network admin. is using LCCM Hybrid RPL, check startup sequence: First device: network; Second device: hard disk</b></li> <li>2. Hard disk drive</li> </ol>
RPL computer does not RPL from server.	<ol style="list-style-type: none"> <li>1. <b>Check startup sequence</b></li> <li>2. Check the network adapter LED status</li> </ol>
Serial or parallel port device failure (system board port).	<ol style="list-style-type: none"> <li>1. <b>External Device Self-Test OK?</b></li> <li>2. External Device</li> <li>3. Cable</li> <li>4. System Board</li> </ol>
Serial or parallel port device failure (adapter port).	<ol style="list-style-type: none"> <li>1. <b>External Device Self-Test OK?</b></li> <li>2. External Device</li> <li>3. Cable</li> <li>4. Alternate Adapter</li> <li>5. System Board</li> </ol>

<b>Message/Symptom</b>	<b>FRU/Action</b>
Some or all keys on the keyboard do not work.	<ol style="list-style-type: none"><li>1. <b>Keyboard</b></li><li>2. Keyboard Cable</li><li>3. System Board</li></ol>

---

## Undetermined problem

Check the power supply voltages. See "Power supply" on page 29. If the voltages are correct, return here and continue with the following steps.

1. Power-off the computer.
2. Remove or disconnect the following, if installed, one at a time:
  - a. Non-IBM devices
  - b. External devices (modem, printer, or mouse)
  - c. Any adapters
  - d. Riser card
  - e. Memory modules  
Before removing or replacing memory modules, see "System board memory" on page 62.
  - f. Extended video memory
  - g. External Cache
  - h. External Cache RAM
  - i. Hard disk drive
  - j. Diskette drive
3. Power-on the computer to re-test the system.
4. Repeat steps 1 through 3 until you find the failing device or adapter.

If all devices and adapters have been removed, and the problem continues, replace the system board. See "Replacing a system board" on page 48.



## Model tables - Country/Region/Language

Use this table to identify the country/region/language of the specific Models that are listed in the Type/Model configuration tables section.

### Note

These model tables are for the PC 300 models only. For Aptiva type 2173 models, please refer to the IBM on-line site, [www.ibm.com/pc/](http://www.ibm.com/pc/)

In most cases, country or language designation will be identified by the last digit of the model number. Some models might be listed twice, as X and (J), for Country/Language identification. (J) is for Japan only.

*Table 1. Country/Region/Language Model Definition.*

<b>EMEA</b>	<b>Model</b>
EMEA preload	xx <b>G</b>
<b>North America</b>	<b>Model</b>
US English	xx <b>U</b>
Canadian French	xx <b>F</b>
<b>Latin America (LA)</b>	<b>Model</b>
Portuguese (Brazil)	xx <b>P</b>
LA Spanish	xx <b>S</b>
LA English	xx <b>L</b>
<b>Asia Pacific (AP)</b>	<b>Model</b>
AP English w/Keyboard	xx <b>A</b>
AP English w/o Keyboard	xx <b>B</b>
Japan (Japanese)	xx <b>J</b>
Hong Kong (AP English)	xx <b>H</b>
China (Chinese)	xx <b>C</b>
China (AP English)	xx <b>D</b>
Thailand (Thai)	xx <b>T</b>
Taiwan (Chinese)	xx <b>V</b>
Taiwan (AP English)	xx <b>W</b>
Korea (Korean)	xx <b>K</b>
Korea (AP English)	xx <b>R</b>

## Type/Model configuration tables (6268/6278/6288/6338)

### Notes

- Some open bay models are identified as AAP (Authorized Assembler Program) models. AAP models are manufactured by IBM without certain devices such as:
  - Graphics
  - Hard Disk Drive
  - CD-ROM unit
  - Memory
  - Video or other option card
  - Preload

AAP IBM Dealers and Business Partners™ install certain devices (IBM options) in these open bay models.

Other than AAP IBM Dealers and Business Partners can purchase these open bay models.

The IBM HelpCenter has information, based on system serial number, for identifying installed IBM options in open bay AAP models.

- 16X Max CD-ROM drive runs at a constant speed. This allows for eight-speed reading at the disk hub and sixteen-speed reading at the disk edge.
  - For 24X Max CD-ROM drives, the disk hub and disk edge speeds are 10 and 24.
  - For 32X Max CD-ROM drives, the disk hub and disk edge speeds are 14 and 32.
  - For 40X Max CD-ROM drives, the disk hub and disk edge speeds are 17 and 40.

### Note

These model tables are for the PC 300 models only. For Aptiva type 2173 models, please refer to the IBM on-line site, [www.ibm.com/pc/](http://www.ibm.com/pc/)

Table	Page
PC 300 Type 6268	113
PC 300 Type 6278	114
PC 300 Type 6288/6338	115

Table 2. PC 300 Type 6268 - Microtower

Model	Processor	Memory	Hard Drive	Graphics	Bays/Slots	CD-ROM	Preload
16X	466 MHz Celeron	64 MB NP	8.4 GB EIDE	810 Graphics	4X4	N/A	Windows 98
43X	466 MHz Celeron	64 MB NP	8.4 GB EIDE	810 Graphics	4X4	N/A	Windows NT
44X	500 MHz Celeron	64 MB NP	13.5 GB EIDE	810 Graphics	4X4	N/A	Windows 98
56X - Open Bay	433 MHz Celeron	N/A	N/A	810 Graphics	4X4	N/A	N/A
57X - Open Bay	466 MHz Celeron	N/A	N/A	810 Graphics	4X4	N/A	N/A
58X - Open Bay	500 MHz Celeron	N/A	N/A	810 Graphics	4X4	N/A	N/A

**Notes:**

1. N/A = Not included in model.
2. For last digit model number, see "Model tables - Country/Region/Language" on page 111.
3. Intel Celeron™ processor comes with 128K Cache.
4. Graphics = 810 Graphics with 4 MB SDRAM display Cache integrated on system board.
5. Audio = integrated on system board.
6. Models 56X, 57X, 58X come with a PCI Audio adapter.
7. Open Bay = Authorized Assembler Program. See the note on page 112

Table 3. PC 300 Type 6278 - Microtower

Model	Processor	Memory	Hard Drive	Graphics	Bays/Slots	CD-ROM	Preload
S1X	466 MHz Celeron	64 MB NP	8.4 GB EIDE	810 Graphics	4X4	40X Max	Windows 98
S2X	500 MHz Celeron	64 MB NP	13.5 GB EIDE	810 Graphics	4X4	40X Max	Windows NT
S3X	500 MHz Celeron	64 MB NP	13.5 GB EIDE	810 Graphics	4X4	40X Max	Windows 98
S5X	466 MHz Celeron	64 MB NP	8.4 GB EIDE	810 Graphics	4X4	40X Max	Windows 98
S6X	500 MHz Celeron	128 MB NP	13.5 GB EIDE	810 Graphics	4X4	40X Max	Windows NT
S8X	466 MHz Celeron	64 MB NP	8.4 GB EIDE	810 Graphics	4X4	40X Max	Windows 98
S9X	466 MHz Celeron	64 MB NP	8.4 GB EIDE	810 Graphics	4X4	40X Max	Windows 98
SAX	466 MHz Celeron	64 MB NP	10.1 GB EIDE	810 Graphics	4X4	40X Max	Windows 98
SBX	500 MHz Celeron	128 MB NP	10.1 GB EIDE	810 Graphics	4X4	40X Max	Windows NT

**Notes:**

1. N/A = Not included in model.
2. For last digit model number, see "Model tables - Country/Region/Language" on page 111.
3. Intel Celeron™ processor comes with 128K Cache.
4. Graphics = 810 Graphics with 4 MB SDRAM display Cache integrated on system board.
5. Audio = integrated on system board.
6. Models S5X, S6X, S7X come with Ethernet card
7. Models S1X, S2X, S3X, S8X come with a modem.
8. Open Bay = Authorized Assembler Program. See the note on page 112

Table 4 (Page 1 of 3): PC 300 Type 6288/6338 - Desktop

Model	Processor	Memory	Hard Drive	Graphics	Bays/Slots	CD-ROM	Preload
10X	400 MHz Celeron	32 MB NP	8.4 GB EIDE	810 Graphics	4X4	N/A	Windows 98
11X	433 MHz Celeron	32 MB NP	8.4 GB EIDE	810 Graphics	4X4	N/A	Windows 98
15X	466 MHz Celeron	64 MB NP	8.4 GB EIDE	810 Graphics	4X4	N/A	Windows 95
16X	466 MHz Celeron	64 MB NP	8.4 GB EIDE	810 Graphics	4X4	N/A	Windows 98
17X	500 MHz Celeron	64 MB NP	8.4 GB EIDE	810 Graphics	4X4	N/A	Windows 98
30X	433 MHz Celeron	64 MB NP	8.4 GB EIDE	810 Graphics	4X4	N/A	Windows 95
31X	433 MHz Celeron	64 MB NP	8.4 GB EIDE	810 Graphics	4X4	N/A	Windows 98
35X	466 MHz Celeron	64 MB NP	8.4 GB EIDE	810 Graphics	4X4	40X Max	Windows 95
36X	466 MHz Celeron	64 MB NP	8.4 GB EIDE	810 Graphics	4X4	40X Max	Windows 98

**Notes:**

1. N/A = Not included in model.
2. For last digit model number, see "Model tables - Country/Region/Language" on page 111.
3. Intel Celeron™ processor comes with 128K Cache.
4. Graphics = 810 Graphics with 4 MB SDRAM display Cache integrated on system board.
5. Audio = integrated on system board.
6. Models 39X, 40X come with Ethernet card
7. Models 56X, 57X, 58X come with a PCI Audio adapter.
8. Open Bay = Authorized Assembler Program. See the note on page 112

Table 4 (Page 2 of 3): PC 300 Type 6288/6338 - Desktop

Model	Processor	Memory	Hard Drive	Graphics	Bays/Slots	CD-ROM	Preload
37X	466 MHz Celeron	64 MB NP	13.5 GB EIDE	810 Graphics	4X4	40X Max	Windows 98
39X	466 MHz Celeron	64 MB NP	8.4 GB EIDE	810 Graphics	4X4	40X Max	Windows 98
40X	466 MHz Celeron	64 MB NP	8.4 GB EIDE	810 Graphics	4X4	40X Max	Windows 95
41X	466 MHz Celeron	64 MB NP	8.4 GB EIDE	810 Graphics	4X4	40X Max	Windows NT
42X	466 MHz Celeron	64 MB NP	13.5 GB EIDE	810 Graphics	4X4	40X Max	Windows NT
44X	500 MHz Celeron	64 MB NP	13.5 GB EIDE	810 Graphics	4X4	N/A	Windows 98
45X	500 MHz Celeron	64 MB NP	13.5 GB EIDE	810 Graphics	4X4	N/A	Windows NT
46X	500 MHz Celeron	64 MB NP	13.5 GB EIDE	810 Graphics	4X4	40X Max	Windows 98
47X	500 MHz Celeron	64 MB NP	13.5 GB EIDE	810 Graphics	4X4	40X Max	Windows NT

**Notes:**

1. N/A = Not included in model.
2. For last digit model number, see "Model tables - Country/Region/Language" on page 111.
3. Intel Celeron™ processor comes with 128K Cache.
4. Graphics = 810 Graphics with 4 MB SDRAM display Cache integrated on system board.
5. Audio = integrated on system board.
6. Models 39X, 40X come with Ethernet card
7. Models 56X, 57X, 58X come with a PCI Audio adapter.
8. Open Bay = Authorized Assembler Program. See the note on page 112

Table 4 (Page 3 of 3): PC 300 Type 6288/6338 - Desktop

Model	Processor	Memory	Hard Drive	Graphics	Bays/Slots	CD-ROM	Preload
48X	466 MHz Celeron	64 MB NP	10.1 GB EIDE	810 Graphics	4X4	N/A	Windows 98
49X	500 MHz Celeron	64 MB NP	10.1 GB EIDE	810 Graphics	4X4	N/A	Windows 98
50X	433 MHz Celeron	64 MB NP	10.1 GB EIDE	810 Graphics	4X4	N/A	Windows 98
51X	466 MHz Celeron	64 MB NP	10.1 GB EIDE	810 Graphics	4X4	40X Max	Windows 98
53X	466 MHz Celeron	64 MB NP	10.1 GB EIDE	810 Graphics	4X4	40X Max	Windows NT
56X - Open Bay	433 MHz Celeron	N/A	N/A	810 Graphics	4X4	N/A	N/A
57X - Open Bay	466 MHz Celeron	N/A	N/A	810 Graphics	4X4	N/A	N/A
58X - Open Bay	500 MHz Celeron	N/A	N/A	810 Graphics	4X4	N/A	N/A

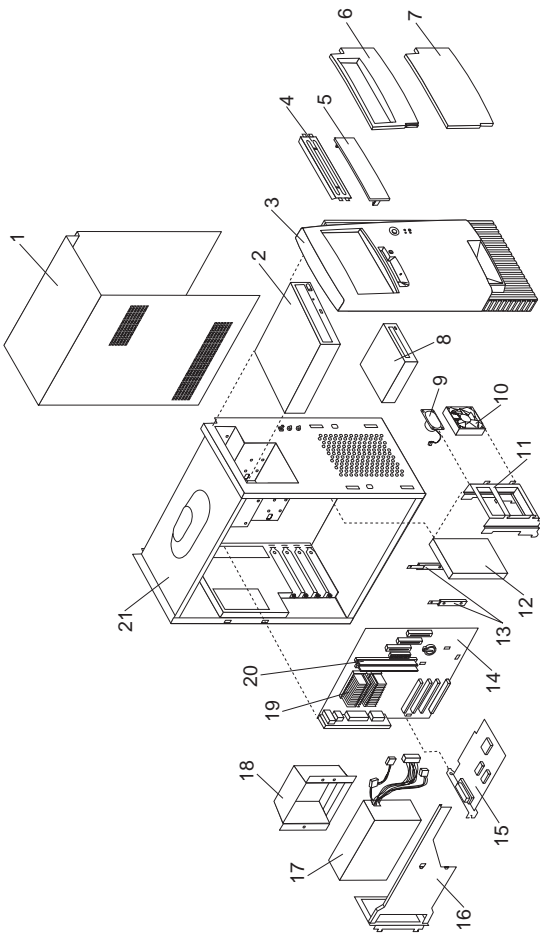
**Notes:**

1. N/A = Not included in model.
2. For last digit model number, see "Model tables - Country/Region/Language" on page 111.
3. Intel Celeron processor comes with 128K Cache.
4. Graphics = 810 Graphics with 4 MB SDRAM display Cache integrated on system board.
5. Audio = integrated on system board.
6. Models 39X, 40X come with Ethernet card
7. Models 56X, 57X, 58X come with a PCI Audio adapter.
8. Open Bay = Authorized Assembler Program. See the note on page 112

**Notes:**



**Parts (Type 6268/6278/2173)**



## Parts listing

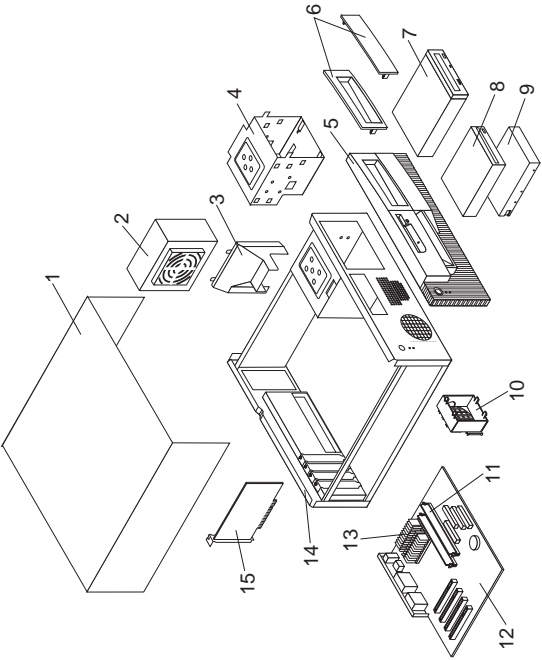
Index	System (Type 6268/6278/2173)	FRU No.
1	Top Cover	37L2499
2	CD-ROM (40X Max)	36L8713
3	Front Bezel (Panel) assembly	37L2505
4	EMC Shield for 5.25-inch Bay	20L3073
5	Blank Bezel 5.25-inch	37L2508
6	Door Assembly	37L2506
7	Blank Door Bezel	37L2507
8	1.44 MB, 3.5-Inch Diskette Drive	75H9550
8	1.44 MB, 3.5-Inch Diskette Drive (Japan)	75H9552
9	Speaker/Cable Assembly	01K4909
10	Fan with mounting supports	37L4526
11	Hard Disk Mounting Bracket	37L2501
12	8.4 GB EIDE Hard Disk Drive	36L8679
12	10.1 GB EIDE Hard Disk Drive	36L8681
12	13.5 GB EIDE Hard Disk Drive	36L8689
12	20.4 GB EIDE Hard Disk Drive	36L8628
13	Hard Drive Rails (Qty 2)	01K1539
14	System Board (no processor, no memory)	33L1559
15	Ethernet Adapter - Lake Clark 2.3	34L1209
16	Power Supply Bracket	37L2502
17	Power Supply-145W	01K9870
17	Power Supply-145W (China)	36L8815
17	Power Supply-145W (Japan)	20L2314
18	Fan Duct	37L2512
19	Intel Celeron Processor 433 MHz, 128 KB cache	37L2476
19	Intel Celeron Processor 466 MHz, 128 KB cache	37L2494
19	Intel Celeron Processor 500 MHz, 128 KB cache	00N6101
20	Memory - 64 MB DIMM, Non-Parity	01K1147
20	Memory - 128 MB DIMM, Non-Parity	01K1148
21	Base Frame Assembly	37L2500
	Audio Adapter - PCI	37L4457
	Cable - CD-ROM Audio	75H9219
	Cable - CD-ROM, IDE (2 drop)	01K1515
	Cable - Diskette Drive	01K1513
	Cable - Hard Disk Cable, ATA	37L4525
	Cable - Wake On Ring	76H7345
	EMC Shield Kit for System Board	37L2503
	Foot (4)	03K9655
	LED/Power Switch Assembly	37L2511
	Lithium Battery	33F8354
	Miscellaneous Hardware Kit	20L3094
	Modem - Domestic	37L3058

<sup>7</sup> When referring to hard-disk-drive capacity, GB means 1 000 000 000 bytes; total user-accessible capacity may vary depending on operating environment.

<sup>8</sup> MHz measures internal clock speed of the microprocessor only; not application performance. Many factors affect application performance.

<b>Index</b>	<b>System (Type 6268/6278/2173)</b>	<b>FRU No.</b>
	Modem - Universal - EMEA and Asia Pacific South	37L3059
	Mouse - 2 button (6268, 2173)	10L6145
	Mouse - Ball and Clip (6268, 2173)	37L2642
	Mouse - Scrollpoint (6278)	28L1865
	URM retainer Kit	33L4521
	Microphone (Aptiva 2173 only)	01N1961
	Speakers - Set (Aptiva 2173 only)	01N1845
	Speaker Brick-Power module (China) (Aptiva 2173 only)	20L2174
	Speaker Brick-Power module (HongKong) (Aptiva 2173 only)	20L2172
	Name Plate-Aptiva (Aptiva 2173 only)	01N3057
	Name Plate (6268, 6278)	37L2509

Parts (Type 6288/6338)



## Parts listing

Index	System (Type 6288/6338)	FRU No.
1	Top Cover	37L5090
2	Power Supply-145W	01K9870
2	Power Supply-145W (China)	36L8815
2	Power Supply-145W (Japan)	20L2314
3	Air Duct	37L4995
4	Hard Disk/Floppy Bracket	37L5094
5	Front Bezel (Panel) Assembly	37L5096
6	Bezel Kit	37L5097
7	CD-ROM (40X Max)	36L8713
8	1.44 MB, 3.5-Inch Diskette Drive	75H9550
8	1.44 MB, 3.5-Inch Diskette Drive (Japan)	75H9552
9	8.4 GB EIDE Hard Disk Drive	36L8679
9	13.5 GB EIDE Hard Disk Drive	36L8689
10	Fan/Card Guide Assembly	37L5093
11	Memory - 32 MB DIMM, Non-Parity	01K1146
11	Memory - 64 MB DIMM, Non-Parity	01K1147
12	System Board (no processor, no memory)	33L1559
13	Intel Celeron Processor 400 MHz, 128 KB cache	37L2474
13	Intel Celeron Processor 433 MHz, 128 KB cache	37L2476
13	Intel Celeron Processor 466 MHz, 128 KB cache	37L2494
13	Intel Celeron Processor 500 MHz, 128 KB cache	00N6101
14	Base Frame Assembly	37L5091
15	Ethernet Adapter - Lake Clark 2.3	30L5929
15	Audio adapter - PCI	37L4457
	Cable - CD-ROM Audio	75H9219
	Cable - ATA-66 2 Drop	37L5098
	Cable - Diskette Drive	33L2596
	Cable - Hard Disk Cable, ATA	37L4525
	Cable - Wake On Ring	76H7345
	EMC Shield Kit for System Board	37L5095
	Foot (4)	03K9655
	LED/Power Switch Assembly	37L5092
	Lithium Battery	33F8354
	Miscellaneous Hardware Kit	20L3094
	Mouse - 2 button	10L6145
	Mouse - Ball and Clip	37L2642
	Speaker with Cable Assembly	01K4909
	URM retainer Kit	33L4521

**Keyboards - Rapid Access II (Aptiva Type 2173)**

China	37L2590
Hong Kong	37L2611

**Keyboards - PCNext Lite (PC 300 Type 6268/6278/6288/6338)**

Arabic	37L2518
Belgian-French	37L2519
Belgian-UK	37L2520
Brazil/Portugal	28L1826
Bulgarian	37L2521
Chinese	37L2548
Czech	37L2522
Danish	37L2523
Dutch	37L2524
French	37L2525
French/Canadian-ID 058	37L0912
French/Canadian-ID 044	37L2515
German	37L2526
Greek	37L2527
Hebrew	37L2528
Hungarian	37L2529
Icelandic	37L2530
Italian	37L2531
Korean	28L1860
Japanese	28L1858
Latin/Spanish	37L2516
Norwegian	37L2532
Polish	37L2533
Portuguese	37L2534
Romania	37L2535
Russian	37L2536
Serbian/Cyrillic	37L2537
Slovakian	37L2538
Spanish	37L2539
Swed/Finn	37L2540
Swiss French/German	37L2541
Thailand	37L2550
Turkish (ID 179)	37L2542
Turkish (ID 440)	37L2543
UK English	37L2544
US English	37L2514
UK English (ISO Compliant)	37L2546
Yugoslavian	37L2545

## Computer Power Cords

Arabic Countries	14F0033
Argentina	36L8880
Australia	93F2365
Belgium	1339520
Bulgaria	1339520
Canada	93F2364
Chile	14F0069
China (Aptiva 2173)	02K0545
Czechoslovakia	1339520
Denmark	13F9997
Finland	1339520
France	1339520
Germany	1339520
Hungary	1339520
Israel	14F0087
Italy	14F0069
Latin-America	6952301
Netherlands	1339520
New Zealand	93F2365
Norway	1339520
Paraguay	36L8880
Poland	1339520
Portugal	1339520
Serbia	1339520
Slovakia	1339520
South Africa	14F0015
Spain	1339520
Switzerland	1339520
Switzerland (French, German)	14F0051
U.S.	93F2364
UK, Ireland	14F0033
Uruguay	36L8880
Yugoslavia	1339520

## Display and Monitor Information

Display and monitor information is separately available and is listed under "Related publications" on page v.

## Special tools

The following tools are required to service these computers:

- A volt-ohm meter, IBM P/N 73G5404
- Wrap Plug, IBM P/N 72X8546





---

## Related Service Information

Safety notices (multi-lingual translations)	128
Safety information	152
General safety	152
Electrical safety	153
Safety Inspection Guide	154
Handling electrostatic discharge-sensitive devices	156
Grounding requirements	156
Miscellaneous information	157
Send us your comments!	159
Do you need technical references?	160
Problem determination tips	161
File updates	162
Hardware considerations	162
Software considerations	163
BIOS	163
Drivers	163
Adding adapters to the system	164
System resource conflicts	164
Notices	168
Trademarks	169

---

## **Safety notices (multi-lingual translations)**

The caution and danger safety notices in this section are provided in the following languages:

- English
- Brazilian/Portuguese
- Chinese
- French
- German
- Italian
- Korean
- Spanish



**DANGER**

To avoid a shock hazard, do not connect or disconnect any cables or perform installation, maintenance, or reconfiguration of this product during an electrical storm.

To avoid shock hazard:

- The power cord must be connected to a properly wired and earthed receptacle.
- Any equipment to which this product will be attached must also be connected to properly wired receptacles.

When possible, use one hand to connect or disconnect signal cables to prevent a possible shock from touching two surfaces with different electrical potentials.

Electrical current from power, telephone, and communications cables is hazardous. To avoid shock hazard, connect and disconnect cables as described following when installing, moving, or opening covers of this product or attached devices.

**To Connect**

1. Turn Everything OFF.
2. First, attach all cables to devices.
3. Attach signal cables to receptacles.
4. Attach power cord(s) to outlet.
5. Turn device ON.

**To Disconnect**

1. Turn Everything OFF.
2. First, remove power cord(s) from outlet.
3. Remove signal cables from receptacles.
4. Remove all cables from devices.

NOTE: In the UK, by law, the telephone cable must be connected after the power cord.

NOTE: In the UK, the power cord must be disconnected after the telephone cable.



**Caution:**

When replacing the battery, use only IBM Part Number 33F8354 or an equivalent type battery recommended by the manufacturer. If your system has a module containing a lithium battery, replace it only with the same module type made by the same manufacturer. The battery contains lithium and can explode if not properly used, handled, or disposed of.

**Do not:**

- Throw or immerse into water
- Heat to more than 100°C (212°F)
- Repair or disassemble

Dispose of the battery as required by local ordinances or regulations.



**Caution:**

When a CD-ROM drive is installed, note the following.

Use of controls or adjustments or performance of procedures other than those specified herein might result in hazardous radiation exposure.

Removing the covers of the CD-ROM drive could result in exposure to hazardous laser radiation. There are no serviceable parts inside the CD-ROM drive. Do not remove the CD-ROM drive covers.

**DANGER**

Some CD-ROM drives contain an embedded Class 3A or Class 3B laser diode. Note the following.

Laser radiation when open. Do not stare into the beam, do not view directly with optical instruments, and avoid direct exposure to the beam.



≥32 kg  
(70.5 lbs)



≥55 kg  
(121.2 lbs)

**Caution:**  
Use safe lifting practices when lifting your machine.



**Caution:**  
Electrical current from power, telephone, and communication cables can be hazardous. To avoid personal injury or equipment damage, disconnect the attached power cords, telecommunications systems, networks, and modems before you open the server covers, unless instructed otherwise in the installation and configuration procedures.



## PERIGO

**Para evitar choques elétricos, não conecte ou desconecte nenhum cabo, nem efetue instalação, manutenção ou reconfiguração deste produto durante uma tempestade com raios.**

**Para evitar choques elétricos:**

- **O cabo de alimentação deve ser conectado a um receptáculo corretamente instalado e aterrado.**
- **Todos os equipamentos aos quais este produto será conectado devem também ser conectados a receptáculos corretamente instalados.**

**Quando possível, utilize uma das mãos para conectar ou desconectar cabos de sinal, para evitar um possível choque ao tocar duas superfícies com potenciais elétricos diferentes.**

**A corrente elétrica proveniente de cabos de alimentação, de telefone e de comunicação é perigosa. Para evitar choques elétricos, conecte e desconecte os cabos conforme descrito a seguir, ao instalar, movimentar ou abrir tampas deste produto ou de dispositivos conectados.**

### Para Conectar

1. DESLIGUE tudo.
2. Conecte primeiro todos os cabos nos dispositivos.
3. Conecte os cabos de sinal nos receptáculos.
4. Conecte o(s) cabo(s) de alimentação nas tomadas.
5. LIGUE o dispositivo.

### Para Desconectar

1. DESLIGUE tudo.
2. Remova primeiro o(s) cabo(s) de alimentação das tomadas.
3. Remova os cabos de sinal dos receptáculos.
4. Remova todos os cabos dos dispositivos.



**cuidado:**

Ao substituir a bateria, utilize apenas o Número de Peça IBM 33F8354 ou um tipo de bateria equivalente recomendado pelo fabricante. Se seu sistema possuir um módulo com uma bateria de lítio, substitua-o apenas pelo mesmo tipo de módulo, produzido pelo mesmo fabricante. A bateria contém lítio e pode explodir se não for utilizada, manuseada e descartada de forma adequada.

**Não:**

- Jogue ou coloque na água
- Aqueça a mais de 100°C (212°F)
- Conserte nem desmonte.

Descarte a bateria conforme requerido pelas disposições e regulamentações locais.



**cuidado:**

Quando uma unidade de CD-ROM estiver instalada, observe o seguinte.

A utilização de controles ou ajustes ou a execução de procedimentos diferentes daqueles especificados nesta publicação pode resultar em exposição perigosa à radiação.

A remoção das tampas da unidade de CD-ROM pode resultar em exposição a radiação perigosa de laser. Não existem peças que possam ser consertadas no interior da unidade de CD-ROM. Não remova as tampas da unidade de CD-ROM.

**PERIGO**

Algumas unidades de CD-ROM contém um diodo de laser da Classe 3A ou da Classe 3B. Observe o seguinte.

Radiação de laser quando aberto. Não olhe diretamente para o feixe de laser, não olhe diretamente com instrumentos óticos, e evite exposição direta ao raio.



≥32 kg  
(70,5 lbs)



≥55 kg  
(121,2 lbs)

**cuidado:**

Utilize práticas seguras para levantamento de peso ao levantar sua máquina.



**cuidado:**

A corrente elétrica proveniente de cabos de alimentação, de telefone e de comunicação é perigosa. Para evitar ferimentos pessoais ou danos aos equipamentos, desconecte os cabos de alimentação, sistemas de telecomunicação, redes e modems antes de abrir as tampas do servidor, a menos que receba outras instruções nos procedimentos de instalação e configuração.



#### 声明 1



##### 危险!

为避免电击危险，请不要在暴风雨期间连接或断开任何电缆，或是进行此产品的安装、维护或重新配置操作。

为避免电击危险：

- 电源线必须连接到适当的电线及接地插座。
- 此产品将要连接的所有设备也必须连接到正确接线的插座上。

如果可能，请使用一只手连接或断开连接信号电缆，以避免在接触两个具有不同电势的表面时遭到电击。

电源线、电话线以及通信电缆中的电流非常危险。为避免电击，请在安装、移动或打开本产品或连接设备的外盖时，按照下述步骤连接或断开电缆。

##### 要连接电缆

1. 关闭所有设备。
2. 首先将所有电缆与设备连接。
3. 将信号线连接到插座。
4. 将电源线连接到电源插座。
5. 打开设备。

##### 要断开电缆

1. 关闭所有设备。
2. 首先从电源插座拔下电源线。
3. 从插座拔下信号电缆。
4. 从设备上拔下所有电缆。

#### 声明 2



##### 注意!

当更换电池时，仅可使用 IBM 部件号为 33F8354 的产品或由制造商推荐的同等电池。如果系统中有包含锂电池的模块，则只能使用由相同制造商制造的相同类型模块更换。该电池含有锂，如果使用、操作或处理不当会发生爆炸。

##### 不要：

- 将其投入或浸于水中
- 加热超过100°C (212°F)
- 修理或拆卸

应按照当地法规和条例对此电池进行处理。

#### 声明 3



##### 注意!

在已安装 CD-ROM 驱动器的情况下，请注意下面的内容。

不遵循此处指定的控制、调整、或操作过程的操作将可能导致危险的辐射泄漏。

取下 CD-ROM 驱动器的外盖会导致危险的激光辐射泄漏。CD-ROM 驱动器内没有可以使用的部件。请不要取下 CD-ROM 驱动器的外盖。

#### 声明 4

#### 危险！

一些 CD-ROM 驱动器中包含内置的 3A 类或 3B 类激光二极管。  
请注意下述内容。

打开驱动器会产生激光辐射。请不要凝视激光束，请不要使用光学仪器直接观看激光束，同时也要避免人体直接暴露在激光束下。

#### 声明 5



32 kg (70.5 磅)



55 kg (121.2 磅)

#### 注意！

搬运机器时，请进行安全搬运操作。

#### 声明 10



#### 注意！

电源线、电话线以及通信电缆中的电流非常危险。为避免人身伤害或设备损坏，除非在安装和配置过程中特别指明，请在打开服务器外盖前断开已连接的全部电源线、电信系统、网络及调制解调器。

#### • 声明 1



#### 危险

為了避免雷擊，在閃電期間，請勿連接或拔掉本裝置上的任何電纜線，或請勿安裝、維修或重新架構本產品。

為了避免雷擊：

- 電源線必須連接到接線及接地正確的插座。
- 本產品所連接的設備也必須連接到接線正確的插座。

儘可能使用單手來連接或拔掉信號電纜，以避免因接觸兩不同電位的平面，而受到電擊。

電源、電話及通信電纜上均有電流通過。為了避免電擊，在安裝、移動本產品，或開啓本產品的蓋子或與本產品連接之裝置的蓋子時，請依照下列「連接」及「拔掉」電纜線的步驟操作。

#### 連接

1. 關掉所有開關。
2. 首先，將所有電纜線連接到裝置。
3. 將信號電纜連接到信號插座。
4. 將電源線連接到電源插座。
5. 開啓裝置電源。

#### 拔掉

1. 關掉所有開關。
2. 首先，自電源插座拔掉電源線。
3. 拔掉信號插座上的所有信號電纜。
4. 拔掉裝置上的所有電纜線。

• 聲明 2



注意：  
更換電池時，只可使用 IBM 零件編號 33F8354 的電池，或廠商建議的相當類型的電池。如您系統中的模組含有鋰電池，更換時，請使用相同廠商製造的相同模組類型。如未正常使用、處理或捨棄含有鋰的電池時，可能會造成爆炸。

嚴禁：

- 丟入或浸入水中
- 加熱超過攝氏100度（華氏 212 度）
- 修補或拆解

處理廢棄電池時，請遵照當地法令規章處理。

• 聲明 3



注意：  
安裝光碟機時，請注意下列事項：

不依此處所指示的控制、調整或處理步驟，恐有遭致輻射之虞。

移開光碟機蓋子，恐有遭致雷射輻射之虞。光碟機中沒有需要維修的部分。請勿移開光碟機的蓋子。

• 聲明 4



危險

光碟機含有內嵌式 Class 3A 或 Class 3B 雷射二極體時，請注意下列事項：

開啓時會產生雷射輻射。請勿凝視光束，不要使用光學儀器直接觀察，且應避免直接暴露在光束下。

• 聲明 5



≥ 32 公斤 (70.5 磅)



≥ 55 公斤 (121.2 磅)

注意：  
提昇機器時，請使用安全提昇措施。

• 聲明 10



注意：  
電源、電話及通信電纜上均有電流通過。在安裝及架構之時，若非專家指導，為了避免人員受傷、設備受損，在開啓伺服器蓋子之前，請切斷電源線、電信系統、網路及數據機。



**PERIGO**

**Pour éviter tout risque de choc électrique, ne manipulez aucun câble et n'effectuez aucune opération d'installation, d'entretien ou de reconfiguration de ce produit au cours d'un orage.**

**Pour éviter tout risque de choc électrique :**

- **Les cordons d'alimentation du présent produit et de tous les appareils qui lui sont connectés doivent être branchés sur des socles de prise de courant correctement câblés et mis à la terre.**

**Afin d'éviter tout risque de choc électrique provenant d'une différence de potentiel de terre, n'utilisez qu'une main, lorsque cela est possible, pour connecter ou déconnecter les cordons d'interface.**

**Le courant électrique passant dans les câbles de communication, ou les cordons téléphoniques et d'alimentation peut être dangereux. Pour éviter tout risque de choc électrique, lorsque vous installez ou que vous déplacez le présent produit ou des périphériques qui lui sont raccordés, reportez-vous aux instructions ci-dessous pour connecter et déconnecter les différents cordons.**

**Connexion**

1. Mettez les unités hors tension.
2. Commencez par brancher tous les cordons sur les unités.
3. Branchez les câbles d'interface sur les prises.
4. Branchez les cordons d'alimentation sur un socle de prise de courant.
5. Mettez les unités sous tension.

**Déconnexion**

1. Mettez les unités hors tension.
2. Commencez par débrancher les cordons alimentation des socles de prise de courant.
3. Débranchez les câbles d'interface des prises.
4. Débranchez tous les câbles des unités.



**attention:**

Remplacez la pile usagée par une pile de référence identique exclusivement - voir la référence IBM - ou par une pile équivalente recommandée par le fabricant. Si votre système est doté d'un module contenant une pile au lithium, vous devez le remplacer uniquement par un module identique, produit par le même fabricant. La pile contient du lithium et présente donc un risque d'explosion en cas de mauvaise manipulation ou utilisation.

- Ne la jetez pas à l'eau.
- Ne l'exposez pas à une température supérieure à 100 °C.
- Ne cherchez pas à la réparer ou à la démonter.

Pour la mise au rebut, reportez-vous à la réglementation en vigueur.



**attention:**

Si une unité de CD-ROM est installée, prenez connaissance des informations suivantes :

Pour éviter tout risque d'exposition au rayon laser, respectez les consignes de réglage et d'utilisation des commandes, ainsi que les procédures décrites dans le présent document.

Pour éviter une exposition directe au rayon laser, n'ouvrez pas l'unité de CD-ROM. Vous ne pouvez effectuer aucune opération de maintenance à l'intérieur.

**PERIGO**

Certaines unités de CD-ROM contiennent une diode laser de classe 3A ou 3B. Prenez connaissance des informations suivantes :

Rayonnement laser lorsque le carter est ouvert. Évitez de regarder fixement le faisceau ou de l'observer à l'aide d'instruments optiques. Évitez une exposition directe au rayon.



≥32 kg



≥55 kg

**attention:**

**Ce produit pèse un poids considérable. Faites-vous aider pour le soulever.**



**attention:**

**Le courant électrique circulant dans les câbles de communication et les cordons téléphoniques et d'alimentation peut être dangereux. Pour votre sécurité et celle de l'équipement, avant de retirer les carters du serveur, mettez celui-ci hors tension et déconnectez ses cordons d'alimentation, ainsi que les câbles qui le relient aux réseaux, aux systèmes de télécommunication et aux modems (sauf instruction contraire mentionnée dans les procédures d'installation et de configuration).**



## VORSICHT

**Aus Sicherheitsgründen bei Gewitter an diesem Gerät keine Kabel anschließen oder lösen. Ferner keine Installations-, Wartungs- oder Rekonfigurationsarbeiten durchführen.**

**Aus Sicherheitsgründen:**

- **Gerät nur an eine Schutzkontaktsteckdose mit ordnungsgemäß geerdetem Schutzkontakt anschließen.**
- **Alle angeschlossenen Geräte ebenfalls an Schutzkontaktsteckdosen mit ordnungsgemäß geerdetem Schutzkontakt anschließen.**

**Signalkabel möglichst einhändig anschließen oder lösen, um einen Stromschlag durch Berühren von Oberflächen mit unterschiedlichem elektrischem Potential zu vermeiden.**

**Elektrische Spannungen von Netz-, Telefon- und Datenübertragungsleitungen sind gefährlich. Um einen Stromschlag zu vermeiden, nur nach den Anweisungen arbeiten, die für Installation, Transport oder Öffnen von Gehäusen dieses Produkts oder angeschlossenen Einheiten gelten.**

### **Kabel anschließen**

1. Alle Geräte ausschalten und Netzstecker ziehen.
2. Zuerst alle Kabel an Einheiten anschließen.
3. Signalkabel an Anschlußbuchsen anschließen.
4. Netzstecker an Steckdose anschließen.
5. Gerät einschalten.

### **Kabel lösen**

1. Alle Geräte ausschalten.
2. Zuerst Netzstecker von Steckdose lösen.
3. Signalkabel von Anschlußbuchsen lösen.
4. Alle Kabel von Einheiten lösen.



**achtung:**

Eine verbrauchte Batterie nur durch eine Batterie mit der IBM Teilenummer 33F8354 oder durch eine vom Hersteller empfohlene Batterie ersetzen. Wenn Ihr System ein Modul mit einer Lithium-Batterie enthält, ersetzen Sie es immer mit dem selben Modultyp vom selben Hersteller. Die Batterie enthält Lithium und kann bei unsachgemäßer Verwendung, Handhabung oder Entsorgung explodieren.

**Die Batterie nicht**

- mit Wasser in Berührung bringen.
- über 100 C erhitzen.
- reparieren oder zerlegen.

Die örtlichen Bestimmungen für die Entsorgung von Sondermüll beachten.



**achtung:**

Wenn ein CD-ROM-Laufwerk installiert ist, beachten Sie folgendes. Steuer- und Einstellelemente sowie Verfahren nur entsprechend den Anweisungen im vorliegenden Handbuch einsetzen. Andernfalls kann gefährliche Laserstrahlung auftreten.

Das Entfernen der Abdeckungen des CD-ROM-Laufwerks kann zu gefährlicher Laserstrahlung führen. Es befinden sich keine Teile innerhalb des CD-ROM-Laufwerks, die vom Benutzer gewartet werden müssen. Die Verkleidung des CD-ROM-Laufwerks nicht öffnen.

**VORSICHT**

Manche CD-ROM-Laufwerke enthalten eine eingebaute Laserdiode der Klasse 3A oder 3B. Die nachfolgend aufgeführten Punkte beachten.

Laserstrahlung bei geöffneter Tür. Niemals direkt in den Laserstrahl sehen, nicht direkt mit optischen Instrumenten betrachten und den Strahlungsbereich meiden.





≥32 kg



≥55 kg

**achtung:**

Beim Anheben der Maschine die vorgeschriebenen Sicherheitsbestimmungen beachten.



**achtung:**

An Netz-, Telefon- und Datenleitungen können gefährliche elektrische Spannungen anliegen. Um eine Gefährdung des Benutzers oder Beschädigung des Geräts zu vermeiden, ist der Server auszuschalten. Die Verbindung zu den angeschlossenen Netzkabeln, Telekommunikationssystemen, Netzwerken und Modems ist vor dem Öffnen des Servergehäuses zu unterbrechen (sofern in Installations- und Konfigurationsanweisungen nicht anders angegeben).



## PERICOLO

**Per evitare il pericolo di scosse elettriche durante i temporali, non collegare o scollegare cavi, non effettuare l'installazione, la manutenzione o la riconfigurazione di questo prodotto.**

**Per evitare il pericolo di scosse elettriche:**

- **collegare il cavo di alimentazione ad una presa elettrica correttamente cablata e munita di terra di sicurezza;**
- **collegare qualsiasi apparecchiatura collegata a questo prodotto ad una presa elettrica correttamente cablata e munita di terra di sicurezza.**

**Quando possibile, collegare o scollegare i cavi di segnale con una sola mano per evitare il rischio di scosse derivanti dal contatto con due superfici a diverso potenziale elettrico.**

**La corrente elettrica circolante nei cavi di alimentazione, del telefono e di segnale è pericolosa. Per evitare scosse elettriche, collegare e scollegare i cavi come descritto quando si effettuano l'installazione, la rimozione o l'apertura dei coperchi di questo prodotto o durante il collegamento delle unità.**

### Per collegare

1. **SPEGNERE** tutti i dispositivi.
2. Collegare prima tutti i cavi alle unità.
3. Collegare i cavi di segnale alle prese.
4. Collegare il(i) cavo(i) di alimentazione alla presa elettrica.
5. **ACCENDERE** le unità.

### Per scollegare

1. **SPEGNERE** tutti i dispositivi.
2. Rimuovere prima il(i) cavo(i) di alimentazione dalla presa elettrica.
3. Rimuovere i cavi di segnale dalle prese.
4. Rimuovere tutti i cavi dalle unità.



**ATTENZIONE:**

Quando si sostituisce la batteria, utilizzare solo una batteria IBM o batterie dello stesso tipo o di tipo equivalente consigliate dal produttore. Se il sistema di cui si dispone è provvisto di un modulo contenente una batteria al litio, sostituire tale batteria solo con un tipo di modulo uguale a quello fornito dal produttore. La batteria contiene litio e può esplodere se utilizzata, maneggiata o smaltita impropriamente.

*Evitare di:*

- Gettarla o immergerla in acqua
- Riscaldarla ad una temperatura superiore ai 100° C
- Cercare di ripararla o smaltirla

Smaltire secondo la normativa in vigore (D.Lgs 22 del 5/2/97) e successive disposizioni nazionali e locali.



**ATTENZIONE:**

Quando è installata un'unità CD-ROM, notare quanto segue:

L'utilizzo di controlli, regolazioni o l'esecuzione di procedure non descritti nel presente manuale possono provocare l'esposizione a radiazioni pericolose.

L'apertura di un'unità CD-ROM può determinare l'esposizione a radiazioni laser pericolose. All'interno dell'unità CD-ROM non vi sono parti su cui effettuare l'assistenza tecnica. Non rimuovere i coperchi dell'unità CD-ROM.

**PERICOLO**

Alcune unità CD-ROM contengono all'interno un diodo laser di Classe 3A o Classe 3B. Prestare attenzione a quanto segue:

Aperto l'unità vengono emesse radiazioni laser. Non fissare il fascio, non guardarlo direttamente con strumenti ottici ed evitare l'esposizione diretta al fascio.



≥32 kg



≥55 kg

**ATTENZIONE:**

Durante il sollevamento della macchina seguire delle norme di sicurezza.



**ATTENZIONE:**

La corrente circolante nei cavi di alimentazione, del telefono e di segnale è pericolosa. Per evitare situazioni pericolose per le persone o danneggiamenti all'apparecchiatura, scollegare i cavi di alimentazione, i sistemi di telecomunicazioni, le reti e ed i modem prima di aprire i coperchi del server se non diversamente indicato nelle procedure di installazione e configurazione.

경고문 1



위험

전기 충격을 피하려면 날씨가 나쁠 때(예: 눈 또는 비가 오거나 천둥 번개가 칠 때)는 케이블을 연결하거나 끊지 않도록 하고 이 제품의 설치, 유지보수 또는 재구성 등의 작업을 수행하지 않도록 하십시오.

전기 충격을 피하려면 다음과 같아야 합니다.

- 고압선은 적절한 배선 및 접지 상태의 콘센트로 연결되어야 합니다.
- 이 제품이 접속될 모든 장비도 적절한 배서 상태의 콘센트로 연결되어야 합니다.

다른 전위를 가진 두 표면을 만졌을 때 발생할 수 있는 전기 충격을 피하려면 한 손으로 신호선을 연결하거나 끊으십시오.

전원, 전화 및 통신 케이블로부터 멀리 나오는 전류는 위험합니다. 전기 충격을 피하려면 이 제품이나 접속 장치를 설치, 이동 및 덮개를 열 때 다음 설명에 따라 케이블을 연결하고 끊도록 하십시오.

연결하려면	연결해제하려면
1. 모든 스위치를 켜다.	1. 모든 스위치를 끈다.
2. 먼저 모든 케이블을 장치에 연결한다.	2. 먼저 모든 케이블을 장치에 제거한다.
3. 신호선을 콘센트에 연결한다.	3. 신호선을 콘센트에서 제거한다.
4. 전원을 콘센트에 연결한다.	4. 장치에서 모든 케이블을 제거한다.
5. 장치 스위치를 켜다.	

경고문 2



주의:

배터리를 교체할 때는 IBM 부품 번호 &PN. 또는 제조업체에서 추천하는 동등한 유형의 배터리를 사용하십시오. 시스템에 리튬 배터리를 포함하는 모듈이 있으면 이것은 동일한 제조업체에서 생산된 동일한 모듈 유형으로만 교체하십시오. 배터리에는 리튬이 포함되어 있으므로 제대로 사용, 처리 또는 처분하지 않으면 폭발할 수 있습니다.

다음은 주의하십시오.

- 먼지거나 물에 닿지 않도록 하십시오.
- 100°C(212°F) 이상으로 가열하지 않도록 하십시오.
- 수리하거나 분해하지 않도록 하십시오.

지역 법령이나 규정의 요구에 따라 배터리를 처분하십시오.

경고문 3



주의:

CD-ROM 드라이브가 설치되어 있으면 다음 사항을 명심하십시오.

여기에서 지정하지 않은 방식으로 CD-ROM 드라이브를 제어 또는 조절하거나 다른 절차로 사용하면 위험한 방사능 노출이 발생할 수 있습니다.

CD-ROM 드라이브의 덮개를 제거하면 위험한 레이저 방사능이 노출될 수 있습니다. CD-ROM 드라이브 내에는 정비할 수 있는 부품이 없습니다. CD-ROM 드라이브 덮개를 제거하지 않도록 하십시오.

경고문 4

위험

일부 CD-ROM 드라이브에는 클래스 3A 또는 3B 레이저 2급  
진공관(다이오드)이 들어 있습니다. 다음 사항을 명심하십시오.

열면 레이저 방사능이 노출됩니다. 광선을 주시하거나 광학 기계를  
직접 쳐다보지 않도록 하고 광선에 노출되지 않도록 하십시오.

경고문 5



32kg(70.5 파운드)



55kg(121.2 파운드)

주의:  
기계를 들 때는 안전하게 들어 올리십시오.

경고문 10



주의:  
전원, 전화 및 통신 케이블로부터 흘러 나오는 전류는 위험합니다. 설치 및 구성 절차에  
다른 지시가 없으면, 다치거나 장비 손상이 생기지 않게 하기 위해 서버 덮개를 열기  
전에 접속된 전원, 원격 통신 시스템, 네트워크 및 모뎀의 연결을 끊으십시오.



**PELIGRO**

**Para evitar una posible descarga eléctrica, no conecte ni desconecte los cables ni lleve a cabo ninguna operación de instalación, de mantenimiento o de reconfiguración de este producto durante una tormenta eléctrica.**

**Para evitar una posible descarga:**

- **El cable de alimentación debe conectarse a un receptáculo con una instalación eléctrica correcta y con toma de tierra.**
- **Los aparatos a los que se conecte este producto también deben estar conectados a receptáculos con la debida instalación eléctrica.**

**Cuando sea posible, utilice una sola mano para conectar o desconectar los cables de señal a fin de evitar una posible descarga al tocar dos superficies con distinto potencial eléctrico.**

**La corriente eléctrica de los cables de comunicaciones, teléfono y alimentación puede resultar peligrosa. Para evitar una posible descarga, siga las indicaciones de conexión y desconexión de los cables siempre que tenga que instalar, mover o abrir las cubiertas de este producto o de los dispositivos acoplados.**

**Instrucciones de conexión**

1. Apague todos los componentes (OFF).
2. En primer lugar, conecte todos los cables a los dispositivos.
3. Conecte los cables de señal a los receptáculos.
4. Conecte los cables de alimentación a las tomas.
5. Encienda el dispositivo (ON).

**Instrucciones de desconexión**

1. Encienda todos los componentes (ON).
2. En primer lugar, retire los cables de alimentación de las tomas.
3. Retire los cables de señal de los receptáculos.
4. Retire todos los cables de los dispositivos.



**percaución:**

Al cambiar la batería, utilice únicamente la batería IBM Número de pieza 33F8354 o un tipo de batería equivalente recomendado por el fabricante. Si el sistema tiene un módulo que contiene una batería de litio, sustitúyalo únicamente por el mismo tipo de módulo del mismo fabricante. La batería contiene litio y puede explotar si no se utiliza, manipula o desecha correctamente.

*Lo que no debe hacer*

- Tirar o sumergir el producto en agua.
- Exponer el producto a una temperatura superior a 100°C.
- Reparar o desmontar el producto.

Cuando quiera desechar la batería, siga las disposiciones y reglamentaciones locales.



**percaución:**

Cuando instale una unidad de CD-ROM, tenga en cuenta la siguiente información.

Si se llevan a cabo controles o ajustes o se utilizan métodos que no se atengan a lo aquí especificado, se puede producir una exposición peligrosa a las radiaciones.

Si se retiran las cubiertas de la unidad de CD-ROM, se puede producir una peligrosa exposición a radiaciones de láser. Dentro de la unidad de CD-ROM no existen piezas reparables. No retire las cubiertas de la unidad de CD-ROM.

**PELIGRO**

Algunas unidades de CD-ROM tienen incorporado un diodo de láser de Clase 3A o de Clase 3B. Tenga en cuenta la siguiente información.

Cuando la unidad está abierta se generan emisiones de rayos láser. No dirija la mirada al haz, no lo observe directamente con instrumentos ópticos y evite la exposición directa.





≥32 kg



≥55 kg

**percaución:**

Alce la máquina con cuidado; el sobrepeso podría causar alguna lesión.



**percaución:**

La corriente eléctrica de los cables de comunicaciones, de teléfono y de alimentación puede resultar peligrosa. Para evitar posibles lesiones o daños del aparato, desconecte los cables de alimentación, los sistemas de telecomunicaciones, las redes y los módems antes de abrir las cubiertas del servidor, salvo que se indique lo contrario en las instrucciones de las operaciones de instalación y configuración.

---

## Safety information

The following section contains the safety information that you need to be familiar with before servicing an IBM mobile computer.

### General safety

Follow these rules to ensure general safety:

- Observe good housekeeping in the area of the machines during and after maintenance.
- When lifting any heavy object:
  1. Ensure you can stand safely without slipping.
  2. Distribute the weight of the object equally between your feet.
  3. Use a slow lifting force. Never move suddenly or twist when you attempt to lift.
  4. Lift by standing or by pushing up with your leg muscles; this action removes the strain from the muscles in your back. *Do not attempt to lift any objects that weigh more than 16 kg (35 lb) or objects that you think are too heavy for you.*
- Do not perform any action that causes hazards to the customer, or that makes the equipment unsafe.
- Before you start the machine, ensure that other service representatives and the customer's personnel are not in a hazardous position.
- Place removed covers and other parts in a safe place, away from all personnel, while you are servicing the machine.
- Keep your tool case away from walk areas so that other people will not trip over it.
- Do not wear loose clothing that can be trapped in the moving parts of a machine. Ensure that your sleeves are fastened or rolled up above your elbows. If your hair is long, fasten it.
- Insert the ends of your necktie or scarf inside clothing or fasten it with a nonconductive clip, approximately 8 centimeters (3 inches) from the end.
- Do not wear jewelry, chains, metal-frame eyeglasses, or metal fasteners for your clothing.  
**Remember:** Metal objects are good electrical conductors.
- Wear safety glasses when you are: hammering, drilling soldering, cutting wire, attaching springs, using solvents, or working in any other conditions that might be hazardous to your eyes.
- After service, reinstall all safety shields, guards, labels, and ground wires. Replace any safety device that is worn or defective.
- Reinstall all covers correctly before returning the machine to the customer.

## Electrical safety

Observe the following rules when working on electrical equipment.

### Important

Use only approved tools and test equipment. Some hand tools have handles covered with a soft material that does not insulate you when working with live electrical currents.

Many customers have, near their equipment, rubber floor mats that contain small conductive fibers to decrease electrostatic discharges. Do not use this type of mat to protect yourself from electrical shock.

- Find the room emergency power-off (EPO) switch, disconnecting switch, or electrical outlet. If an electrical accident occurs, you can then operate the switch or unplug the power cord quickly.
- Do not work alone under hazardous conditions or near equipment that has hazardous voltages.
- Disconnect all power before:
  - Performing a mechanical inspection
  - Working near power supplies
  - Removing or installing main units
- Before you start to work on the machine, unplug the power cord. If you cannot unplug it, ask the customer to power-off the wall box that supplies power to the machine and to lock the wall box in the off position.
- If you need to work on a machine that has *exposed* electrical circuits, observe the following precautions:
  - Ensure that another person, familiar with the power-off controls, is near you.

**Remember:** Another person must be there to switch off the power, if necessary.
  - Use only one hand when working with powered-on electrical equipment; keep the other hand in your pocket or behind your back.

**Remember:** There must be a complete circuit to cause electrical shock. By observing the above rule, you may prevent a current from passing through your body.
  - When using testers, set the controls correctly and use the approved probe leads and accessories for that tester.
  - Stand on suitable rubber mats (obtained locally, if necessary) to insulate you from grounds such as metal floor strips and machine frames.

Observe the special safety precautions when you work with very high voltages; these instructions are in the safety sections of maintenance information. Use extreme care when measuring high voltages.

- Regularly inspect and maintain your electrical hand tools for safe operational condition.
- Do not use worn or broken tools and testers.
- *Never assume* that power has been disconnected from a circuit. First, *check* that it has been powered-off.
- Always look carefully for possible hazards in your work area. Examples of these hazards are moist floors, nongrounded power extension cables, power surges, and missing safety grounds.
- Do not touch live electrical circuits with the reflective surface of a plastic dental mirror. The surface is conductive; such touching can cause personal injury and machine damage.
- Do not service the following parts *with the power on* when they are removed from their normal operating places in a machine:
  - Power supply units
  - Pumps
  - Blowers and fans
  - Motor generators

and similar units. (This practice ensures correct grounding of the units.)

- If an electrical accident occurs:
  - **Use caution; do not become a victim yourself.**
  - **Switch off power.**
  - **Send another person to get medical aid.**
- Asset ID allows the computer to be scanned by various radio frequency emitting devices supplied by independent companies. Asset ID is intended for use only with radio frequency equipment that meets ANSI/IEEE C95.1 1992 RF Radiation Limits.

## Safety Inspection Guide

The intent of this inspection guide is to assist you in identifying potentially unsafe conditions on these products. Each machine, as it was designed and built, had required safety items installed to protect users and service personnel from injury. This guide addresses only those items. However, good judgment should be used to identify potential safety hazards due to attachment of non-IBM features or options not covered by this inspection guide.

If any unsafe conditions are present, you must determine how serious the apparent hazard could be and whether you can continue without first correcting the problem.

Consider these conditions and the safety hazards they present:

- Electrical hazards, especially primary power (primary voltage on the frame can cause serious or fatal electrical shock).

- Explosive hazards, such as a damaged CRT face or bulging capacitor
- Mechanical hazards, such as loose or missing hardware

The guide consists of a series of steps presented in a checklist. Begin the checks with the power off, and the power cord disconnected.

Checklist:

1. Check exterior covers for damage (loose, broken, or sharp edges).
2. Power-off the computer. Disconnect the power cord.
3. Check the power cord for:
  - a. A third-wire ground connector in good condition. Use a meter to measure third-wire ground continuity for 0.1 ohm or less between the external ground pin and frame ground.
  - b. The power cord should be the appropriate type as specified in the parts listings.
  - c. Insulation must not be frayed or worn.
4. Remove the cover.
5. Check for any obvious non-IBM alterations. Use good judgment as to the safety of any non-IBM alterations.
6. Check inside the unit for any obvious unsafe conditions, such as metal filings, contamination, water or other liquids, or signs of fire or smoke damage.
7. Check for worn, frayed, or pinched cables.
8. Check that the power-supply cover fasteners (screws or rivets) have not been removed or tampered with.

## Handling electrostatic discharge-sensitive devices

Any computer part containing transistors or integrated circuits (ICs) should be considered sensitive to electrostatic discharge (ESD). ESD damage can occur when there is a difference in charge between objects. Protect against ESD damage by equalizing the charge so that the machine, the part, the work mat, and the person handling the part are all at the same charge.

### Notes:

1. Use product-specific ESD procedures when they exceed the requirements noted here.
2. Make sure that the ESD protective devices you use have been certified (ISO 9000) as fully effective.

When handling ESD-sensitive parts:

- Keep the parts in protective packages until they are inserted into the product.
- Avoid contact with other people.
- Wear a grounded wrist strap against your skin to eliminate static on your body.
- Prevent the part from touching your clothing. Most clothing is insulative and retains a charge even when you are wearing a wrist strap.
- Use the black side of a grounded work mat to provide a static-free work surface. The mat is especially useful when handling ESD-sensitive devices.
- Use the ESD ground cord, FRU 25F9727, to protect the computer against ESD.
- Select a grounding system, such as those listed below, to provide protection that meets the specific service requirement.

**Note:** The use of a grounding system is desirable but not required to protect against ESD damage.

- Attach the ESD ground clip to any frame ground, ground braid, or green-wire ground.
- Use an ESD common ground or reference point when working on a double-insulated or battery-operated system. You can use coax or connector-outside shells on these systems.
- Use the round ground-prong of the AC plug on AC-operated computers.

## Grounding requirements

Electrical grounding of the computer is required for operator safety and correct system function. Proper grounding of the electrical outlet can be verified by a certified electrician.

---

## Miscellaneous information

### Acronyms, Abbreviations and Terms

Term	Information
<b>ACPA/A</b>	Audio Capture and Playback Adapter
<b>ADP</b>	Automatic Data Processing
<b>AGP</b>	Advanced Graphics Port
<b>Alt</b>	Alternate
<b>ANSI</b>	American National Standards Institute
<b>ARTIC</b>	A Real Time Interface Coprocessor
<b>ASCII</b>	American National Standard Code for Interface Interchange
<b>AT</b>	Advanced Technology (as in AT Bus)
<b>AVC</b>	Audio Video Connection
<b>BIOS</b>	Basic Input/Output System (Controls System Resources)
<b>bps</b>	Bits Per Second
<b>BPS</b>	Bytes Per Second
<b>CCITT</b>	The International Telephone and Telegraph Consultative Committee
<b>CCS</b>	Common Command Set
<b>CCSB</b>	Common Complete Status Block
<b>CCSB</b>	Configuration Control Sub Board
<b>CD</b>	Compact Disc
<b>CDPD</b>	Cellular Digital Packet Data
<b>CD-ROM</b>	CD Read Only Memory (stores data/audio)
<b>CGA</b>	Color Graphics Adapter (See EGA, VGA, XGA)
<b>CRC</b>	Cyclic Redundancy Check
<b>CRT</b>	Cathode Ray Tube
<b>CSA</b>	Canadian Standards Association
<b>CSD</b>	Corrective Service Diskette
<b>DASD</b>	Direct Access Storage Device (hard disk, diskette)
<b>DMA</b>	Direct Memory Access
<b>DRAM</b>	Dynamic Random Access Memory
<b>ECA</b>	Engineering Change Announcement
<b>ECC</b>	Error Correction Code
<b>EGA</b>	Enhanced Graphics Adapter
<b>ESD</b>	Electrostatic Discharge
<b>ESDI</b>	Enhanced Small Device Interface
<b>EEPROM</b>	Electrically Erasable Programmable Read Only Memory
<b>EWS</b>	Energy Work Station
<b>FRU</b>	Field Replaceable Unit (replaceable part)
<b>GPIB</b>	General Purpose Interface Bus (IEEE 348)
<b>GSA</b>	General Services Administration
<b>Ht</b>	Height
<b>IDE</b>	Integrated Drive Electronics
<b>IC</b>	Integrated Circuit
<b>IEEE</b>	Institute of Electrical and Electronics Engineers
<b>IEC</b>	International Electrotechnical Commission
<b>IML</b>	Initial Machine Load
<b>IPL</b>	Initial Program Load
<b>ISA</b>	Industry Standard Architecture
<b>ISO</b>	International Organization for Standardization
<b>ISDN</b>	Integrated-Services Digital Network
<b>LAN</b>	Local Area Network
<b>LBA</b>	Local Block Address
<b>LTB</b>	Local Transfer Bus
<b>LUN</b>	Logical Unit Number (as in SCSI)
<b>MAP</b>	Maintenance Analysis Procedure

<b>Term</b>	<b>Information</b>
<b>MCGA</b>	Modified Color Graphics Adapter (320 x 200 x 256)
<b>MCA</b>	Micro Channel Architecture (bus structure)
<b>MHz</b>	Mega Hertz (million cycles per second)
<b>MIDI</b>	Musical Instrument Digital Interface
<b>MM</b>	Multimedia
<b>N/A</b>	Not Available or Not Applicable
<b>NDD</b>	National Distribution Division
<b>NDIS</b>	Network Driver Interface Specification
<b>NMI</b>	Non-Maskable Interrupt
<b>NSC</b>	National Support Center
<b>NVRAM</b>	Non Volatile Random Access Memory
<b>OEM</b>	Original Equipment Manufacturer
<b>PCI</b>	Peripheral component interconnect
<b>PCMCIA</b>	Personal Computer Memory Card International Association
<b>POS</b>	Programmable Option Select
<b>PUN</b>	Physical Unit Number (as in SCSI)
<b>RAID</b>	Redundant Array of Inexpensive Disks (disk array models)
<b>RAM</b>	Random Access Memory (read/write)
<b>RGB</b>	Red Green Blue (as in monitors)
<b>RIPL</b>	Remote Initial Program Load
<b>ROM</b>	Read Only Memory
<b>SASD</b>	Sequential Access Storage Device (Tape)
<b>SCB</b>	Subsystem Control Block
<b>SCSI</b>	Small Computer Systems Interface
<b>SCSI ID</b>	SCSI Identification Number (assigned device number)
<b>SPD</b>	Software Product Description
<b>SR</b>	Service Representative
<b>SRAM</b>	Static Random Access Memory
<b>SVGA</b>	Super Video Graphics Array
<b>STN</b>	Super Twisted Nematic
<b>T/A</b>	NDD Technical Advisor (See your Marketing Representative)
<b>TDD</b>	Telecommunications Device for the Deaf
<b>TFT</b>	Thin-Film Transistor
<b>TPF</b>	ThinkPad File
<b>TSR</b>	Terminate and Stay Resident
<b>UL</b>	Underwriters Laboratory
<b>VCA</b>	Video Capture Adapter
<b>VESA</b>	Video Electronics Standards Association
<b>VGA</b>	Video Graphics Array (640x480x16)
<b>VPD</b>	Vital Product Data
<b>VRAM</b>	Video Random Access Memory
<b>WORM</b>	Write Once, Read Many Media
<b>XGA</b>	Extended Graphics Array (1024 x 768 x 256)
<b>Y/C</b>	Luminance/Chrominance Signal (Video)



---

## Send us your comments!

We want to know your opinion about this manual (part number 09N1082). Your input will help us to improve our publications.

Please photocopy this survey, complete it, and then fax it to **IBM HMM Survey at 919-543-8167 (USA)**.

Name \_\_\_\_\_

Phone Number \_\_\_\_\_

1. Do you like this manual?

\_\_\_\_\_ Yes      \_\_\_\_\_ No

\_\_\_\_\_  
\_\_\_\_\_

2. What would you like to see added, changed, or deleted in this manual?

\_\_\_\_\_  
\_\_\_\_\_

3. What is your service experience level?

\_\_\_\_\_ Less than five years  
\_\_\_\_\_ More than five years

\_\_\_\_\_  
\_\_\_\_\_

4. Which computers do you service most?

\_\_\_\_\_  
\_\_\_\_\_  
\_\_\_\_\_  
\_\_\_\_\_

**Thanks in advance for your response!**

---

## Do you need technical references?

We have a wide range of hardware technical references that provide in-depth information about IBM personal computer products. Our Technical Reference Library includes information about:

- Micro Channel, Setup, and Subsystem Control Block architectures
- Common interfaces (including microprocessors, system timers, parallel and serial port controllers, keyboards and keystrokes, SCSI, DMA, video, and more)
- Specific Personal System/2 systems (including system board connectors, jumpers, memory subsystems, I/O subsystems, programming interfaces and registers, and error codes)
- Basic input/output system (BIOS)
- Options and adapters

### Note

Technical information manuals for the latest Commercial Desktop computers are available on the World Wide Web at:

**<http://www.ibm.com/pc/us/cdt/hmm.html>**

These publications can be viewed online in BookManager format, or they can be downloaded as PostScript files.

---

## Problem determination tips

Due to the variety of hardware and software combinations that can be encountered, use the following information to assist you in problem determination.

- Verify any recent hardware changes. See "Hardware considerations" on page 162.
- Verify any recent software changes. See "Software considerations" on page 163.
- Verify the BIOS is at the latest level. See "BIOS" on page 163.
- Verify the drivers are at latest levels. See "Drivers" on page 163.
- Verify the Configuration matches hardware. See "System resource conflicts" on page 164.
- Verify the Diagnostic diskette is at latest level. See "File updates" on page 162.

As you go through problem determination, consider these questions:

- Do diagnostics fail?
- What, when, where, single, or multiple systems?
- Is the failure repeatable?
- Has this configuration ever worked?
- If it has been working, what changes were made prior to it failing?
- Is this the original reported failure?

### Important

To eliminate confusion, systems are considered *identical* only if they:

1. Are the exact machine type and model
2. Have the same BIOS level
3. Have the same adapters/attachments in the same locations
4. Have the same address jumpers/terminators/cabling
5. Have the same software versions and levels
6. Have the same Reference/Diagnostics Diskette (version)
7. Have the same configuration options set in the system
8. Have the same setup for the operation system control files

Comparing the configuration and software set-up between "working and non-working" systems will often lead to problem resolution.

## File updates

Use the World Wide Web (WWW) or the IBM BBS to download Diagnostic, BIOS Flash, and Device Driver files.

For PC Series 300/700 and IntelliStation systems, the WWW address is:

<http://www.pc.ibm.com/us/files.html>

For IBM PC Servers, the WWW address is:

<http://www.pc.ibm.com/us/servers/>

The IBM BBS can be reached at (919) 517-0001.

## Hardware considerations

Use the following tools to help identify and resolve hardware-related problems:

- Power-on self-test (POST)
- POST Beep codes
- Test programs
- Error messages

POST does the following:

- Checks some basic system board operations
- Checks the memory operation
- Starts the video operation
- Verifies that the diskette drive is working
- Verifies that the hard disk drive is working

Use the test programs that come with this HMM or with the system you are servicing to test the IBM components of the system and some external devices. Also, from the DOS command or from OS/2 Utilities, use the **CHKDSK** command to check and repair hard disk data allocation errors.

Error messages generated by the software, (the operating system or application programs), generally are text messages, however, error messages can be text, numeric, or both text and numeric.

Any time there is an error message indicating a problem with the system, follow the General Checkout procedures in this HMM to resolve the problem.

Basically, there are five types of error messages:

- **POST error messages** are displayed when the POST finds problems with the hardware or detects a change in the hardware configuration.
- **POST Beep codes** are sounds emitted from the speaker if the POST finds a problem. One beep indicates the POST completed successfully. Multiple beeps indicate a problem was found.

- **Diagnostic error messages** are displayed when a test program finds a problem with a hardware component.
- **Software-generated error messages** are displayed if a problem or conflict is found by an application program, the operating system, or both. For an explanation of these messages, refer to the information supplied with the installed software package. Also, refer to "Software considerations."
- **Multiple messages** occur when the first error causes additional errors. Follow the suggested action of the first error displayed.

## Software considerations

Suspect a software failure if:

- Hardware diagnostics run error-free.
- Swapping hardware components fails to isolate the problem.

A software problem might be the result of a **mismatch between the hardware and the operating system device drivers or direct drivers.**

**BIOS:** The BIOS acts as an **interface between the system hardware, application software, and the operating system.**

BIOS contains the instructions to operate the basic system components:

- Keyboard
- Serial and parallel ports
- Diskette drive
- Hard disk drive
- VGA display
- Clock
- Memory controller

The BIOS then starts the IPL or Boot functions.

**Drivers:** Device drivers are the **BIOS for additional hardware.** Device drivers are the communicators of the hardware assignments to the operating system, including:

- IRQ level
- DMA channel
- I/O address
- ROM or RAM

Some device drivers like HIMEM.SYS are position sensitive and must be placed before other device drivers in the CONFIG.SYS file.

All device drivers are not found in the CONFIG.SYS file. Advanced operating systems use .INI files to setup and start devices.

Device drivers can access the hardware five ways.

- **Operating system direct to hardware using a direct driver.** Direct drivers, which bypass BIOS, have the advantage of faster throughput, but the disadvantage of limited error-handling capability and reduced software and hardware compatibility and flexibility. This method is not used in the IBM PC Series systems.
- **Operating system to BIOS to hardware.** This is the recommended way. It's the most flexible because it's independent of the hardware.
- **Applications to operating system to BIOS to hardware.** This method is inflexible and operating system dependent.
- **Applications to BIOS to hardware.** This method has some flexibility but it is BIOS dependent.
- **Applications to hardware.** This method is hardware dependent and very inflexible, however, it is very fast, very efficient, and it has no overhead.

## Adding adapters to the system

When adapters are added to the system, an area in memory has to be allocated to run its programs. This can be done with either **hardware switches or software mapping**.

If there is a conflict in software mapping:

- The first device to attach to an IRQ, DMA, I/O Address, or RAM location will probably function. The second device will not be found.
- Standalone diagnostics might function properly because the device that was found is the only device running.

Software configuration conflicts occur when:

- Hardware is configured differently than the software using it expects it to be.
- Hardware memory address space is in conflict with memory used by the application software.

## System resource conflicts

System failures occur when there are system resource conflicts with the:

- Interrupt Request Queue (IRQ)
- Direct Memory Access (DMA)
- I/O Address
- ROM and RAM Addresses

**IRQ:**

- Assigns a unique interrupt request line to every I/O device (line numbers range from 0 to 15).
- Interrupts the processor to force it to service the request.
- Handles interrupts on a priority basis (low numbers have the highest priority).

- Queues interrupt request.

IRQ conflicts occur when there are **multiple assignments to the same interrupt level**. If there is an IRQ conflict, the system will hang. Use the systems diagnostics to check for multiple assignments to the same interrupt level before replacing any hardware component.

#### **DMA:**

- **Accesses the memory by bypassing the processor**, which allows the processor more time for applications and programs.
- Accesses memory directly from the serial and parallel ports on some systems.
- **Accesses memory directly from some adapters using a DMA channel**, which allows the adapter to operate faster.
- **Provides from 4 to 15 DMA channels**, the number varies depending on the system.

If **multiple assignments of the same DMA channel** occur, the system will hang. Use the system diagnostics to check for multiple assignments to the same DMA channel before replacing any hardware components.

#### **I/O Address:**

A unique I/O address is assigned to each system component.

If multiple assignments of the same I/O address occur, the system will hang. Use the **DOS MEM** command to check for multiple assignments to the **same** I/O address before replacing any hardware component.

#### **ROM and RAM Addresses:**

Adapter cards with processors can contain RAM and ROM. If the adapter cards have onboard memory, the:

- ROM contains operating instructions for the adapter I/O.
- RAM is used for buffering.

**Two adapters using the same memory area will cause a failure.** This failure might appear as a hardware failure.

The IRQ levels, DMA channels, I/O address, and ROM and RAM addresses all become potential conflicts and system problems. When conflicts arise, they might show up as system hangs, lost or missing devices, incorrect or bad data, or failing diagnostics. **Always eliminate conflicts in these areas before replacing any hardware components.**

### U.S. Authorized Dealers or Servicers

Number	Information
919-517-0001	Bulletin Board Service - PC Company
800-528-7705	Bulletin Board Service - TSS Only
800-937-3737	IBM Business Partner Education
800-426-2472	IBM Customer Engineer Technical Support
800-IBM-DEAL	IBM Dealer Support Center
800-342-6672	IBM Direct Desktop Software Sales
303-924-4015	IBM Part Number ID and Look Up
800-426-7763	IBM PC HelpCenter
800-237-5511	IBM Software Defect Support (CSDs)
800-327-5711	IBM Software Ordering (Publications)
800-426-1484	IBM Supplies Technical Hotline
800-388-7080	IBM Warranty Parts Claims Center

### U.S. Customers and Helpware Subscribers

Number	Information
919-517-0001	Bulletin Board Service - PC Company
800-426-8322	Customer Education Business Unit
800-999-0052	Customized Operational Services
800-237-4824	EduQuest (Educational Computers)
800-964-8523	End User HelpDesk Support
800-742-2493	IBM Anti-Virus Services
800-447-4700	IBM Authorized Dealer Referrals
800-426-2468	IBM Dealer Referral
800-426-3333	IBM Information Referral Service
800-IBM-SERV	IBM Service
800-772-2227	IBM PC HelpCenter and HelpDesk
800-426-7282	IBM Technical Manuals
800-426-9402 (Ext. 150)	Multimedia Information Center
800-241-1620	Multimedia HelpCenter
800-342-6672	OS/2 Information Line
800-237-5511	OS/2 Support Services
800-284-5933	Prodigy
914-962-0310	Prodigy User Questions
800-547-1283	Technical Coordinator Program
	SystemXtra for Personal Systems
	LAN Automated Distribution/2
	OS/2 Bulletin Board
	OS/2 Application Assistance Center
800-551-2832	Technical Solutions Magazine

#### Note

Calls from outside the U.S. will be charged international call rates.



## IBM Canada Customer and Service Support

Number	Information
800-661-PSMT	Business Partner Marketing Support
905-316-5556	Business Partner Marketing Support - Toronto
514-938-6048	Business Partner Marketing Support - French
800-465-4YOU	Customer Relations
800-IBM-SERV	Customer Service Dispatch
800-263-2769	Customer Service Parts
800-465-2222	Customer Support Center (ISC)
416-443-5701	Customer Service Repair Centre
800-505-1855	Dealer Support Group (DSG)
800-465-7999	HelpClub Registration / IBM Direct
800-465-3299	HelpFax
905-316-3299	HelpFax - Toronto
800-565-3344	HelpPC
905-513-3355	IBM Certification Administrator Mail to: 50 Acadia Drive Markham, Ontario L3R 0B3
800-661-2131	IBM Education (A+ Course)
800-268-3100	IBM Information Network Support
800-387-8343	IBM PC Service Partners
800-487-7426	International Warranty Registration
800-663-7662	Lexmark Product Information
800-IBM-9990	PartnerLine
800-263-2769	Parts Orders, Exchange or Emergency
416-443-5808	Parts Regular Orders, Exchange (Fax)
416-443-5755	Parts Orders, Inquiries
514-938-3022	PC Co Bulletin Board - Montreal
905-316-4255	PC Co Bulletin Board - Markham
604-664-6464	PC Co Bulletin Board - Vancouver
204-934-2735	PC Co Bulletin Board - Winnipeg
800-661-7768	PS Marketing Support (PSMT)
800-565-3344	PS/1 Warranty Customer Helpline
800-387-8483	PS/1 Warranty Service (DOAs)
800-465-1234	Publications Ordering
905-316-4148	Service Management Support
905-316-4100	Service Management Support (Fax)
905-316-4150	Service (Warranty) Manager
905-316-4100	Service (Warranty) Manager (Fax)
905-316-4872	Service Quality Programs
905-316-4100	Service Quality Programs (Fax)
800-661-2131	Skill Dynamics (Education)
800-565-3344	ThinkPad EasyServe
416-443-5835	Warranty Claim Fulfillment (Fax)
905-316-2445	Warranty Claim Reimbursement
905-316-3515	Warranty Claim Reimbursement (Fax)
416-443-5778	Warranty Claim Parts Inquiry
800-505-1855	Warranty Provider Support Hotline
800-267-7472	Warranty Service, ThinkPad

---

## Notices

References in this publication to IBM products, programs, or services do not imply that IBM intends to make these available in all countries in which IBM operates. Any reference to an IBM product, program, or service is not intended to state or imply that only that IBM product, program, or service may be used. Subject to IBM's valid intellectual property or other legally protectable rights, any functionally equivalent product, program, or service may be used instead of the IBM product, program, or service. The evaluation and verification of operation in conjunction with other products, except those expressly designated by IBM, are the responsibility of the user.

IBM may have patents or pending patent applications covering subject matter in this document. The furnishing of this document does not give you any license to these patents. You can send license inquiries, in writing, to:

IBM Director of Licensing  
IBM Corporation  
North Castle Drive  
Armonk, NY 10504-1785  
U.S.A.

## Trademarks

The following terms are trademarks of the International Business Machines Corporation in the United States and/or other countries:

Aptiva	Asset ID	AT
BookManager	Business Partner	EduQuest
FaxConcentrator	HelpCenter	HelpClub
HelpFax	HelpWare	IBM
IntelliStation	Micro Channel	NetView
OS/2	PC 300	PC 700
Personal System/2	Portmaster	PS/1
PS/2	PS/ValuePoint	Rapid Resume
SelectaSystem	Skill Dynamics	SystemView
SystemXtra	ThinkPad	TrackPoint
TrackPoint II	Wake on LAN	XGA

ActionMedia, Celeron, LANDesk, MMX, Pentium, and ProShare are trademarks or registered trademarks of Intel Corporation in the U.S. and other countries.

Microsoft, Windows, Windows NT, and the Windows logo are registered trademarks of Microsoft Corporation.

Other company, product, and service names used in this publication may be trademarks or service marks of others.







Part Number: 09N1082

Printed in U.S.A.

S00N-4019-00

