

82C924

16-Bit Sound Controller

Data Book

Revision 1.0
912-3000-031
May, 1995

Copyright

Copyright © 1995, OPTi Inc. All rights reserved. No part of this publication may be reproduced, transmitted, transcribed, stored in a retrieval system, or translated into any language or computer language, in any form or by any means, electronic, mechanical, magnetic, optical, chemical, manual, or otherwise, without the prior written permission of OPTi Incorporated, 2525 Walsh Avenue, Santa Clara, CA 95051.

Disclaimer

OPTi Inc. makes no representations or warranties with respect to the design and documentation herein described and especially disclaims any implied warranties of merchantability or fitness for any particular purpose. Further, OPTi Inc. reserves the right to revise the design and associated documentation and to make changes from time to time in the content without obligation of OPTi Inc. to notify any person of such revisions or changes.

Trademarks

OPTi and OPTi Inc. are registered trademarks of OPTi Incorporated.

All other trademarks and copyrights are the property of their respective holders.

OPTi Inc.
2525 Walsh Avenue
Santa Clara, CA 95051
Tel: (408) 980-8178
Fax: (408) 980-8860
BBS: (408) 980-9774

Table of Contents

1.0	Overview	1
2.0	Features	2
2.1	Applications	2
2.2	ISA Plug and Play on 82C924	2
2.3	Modem Interface	2
2.4	Push Button Volume Control	3
2.5	External Serial EEPROM	3
3.0	Signal Description	4
3.1	Signal Definition	7
3.1.1	AT Bus Signal (36)	7
3.1.2	MIDI Interface Signal (2)	7
3.1.3	FM Interface Signal (10)	7
3.1.4	CD ROM Interface Signal (13)	8
3.1.5	Game Interface Signal (8)	9
3.1.6	Codec/Mixer Signal (19)	9
3.1.7	Modem Interface	9
3.1.8	Power Pins (10)	9
4.0	Register Description	10
4.1	82C924 Register Definition	11
5.0	Electrical Specification	18
5.1	Absolute Maximum Ratings	18
5.2	Recommended DC Operating Conditions	18
5.3	General Specification (V _{DD} = 5.0V)	18
5.4	Timing Parameters	19
5.4.1	AT Bus Timing	19
5.4.2	CD ROM/FM/Game Port Interface Timing	19
5.4.3	AD1848 Interface Timing	19
5.5	DC Electrical Characteristics	20
5.6	Absolute Maximum Ratings	20
5.7	Timing Characteristics	21
6.0	Mechanical Package	24

List of Figures

Figure 1-1	Block Diagram	1
Figure 3-1	Pin Diagram	4
Figure 5-1	Register/CD/FM/Mixer/Sound Port IO Read Cycle	21
Figure 5-2	DMA Write/Playback Cycle	22
Figure 5-3	DMA Read/Capture Cycle	23
Figure 5-4	RESET and CLK Timing	23

List of Tables

Table 3-1	Numerical Pin List	5
Table 3-2	Alphabetical Pin List	6
Table 4-1	Register Map	10

16-Bit Sound Controller

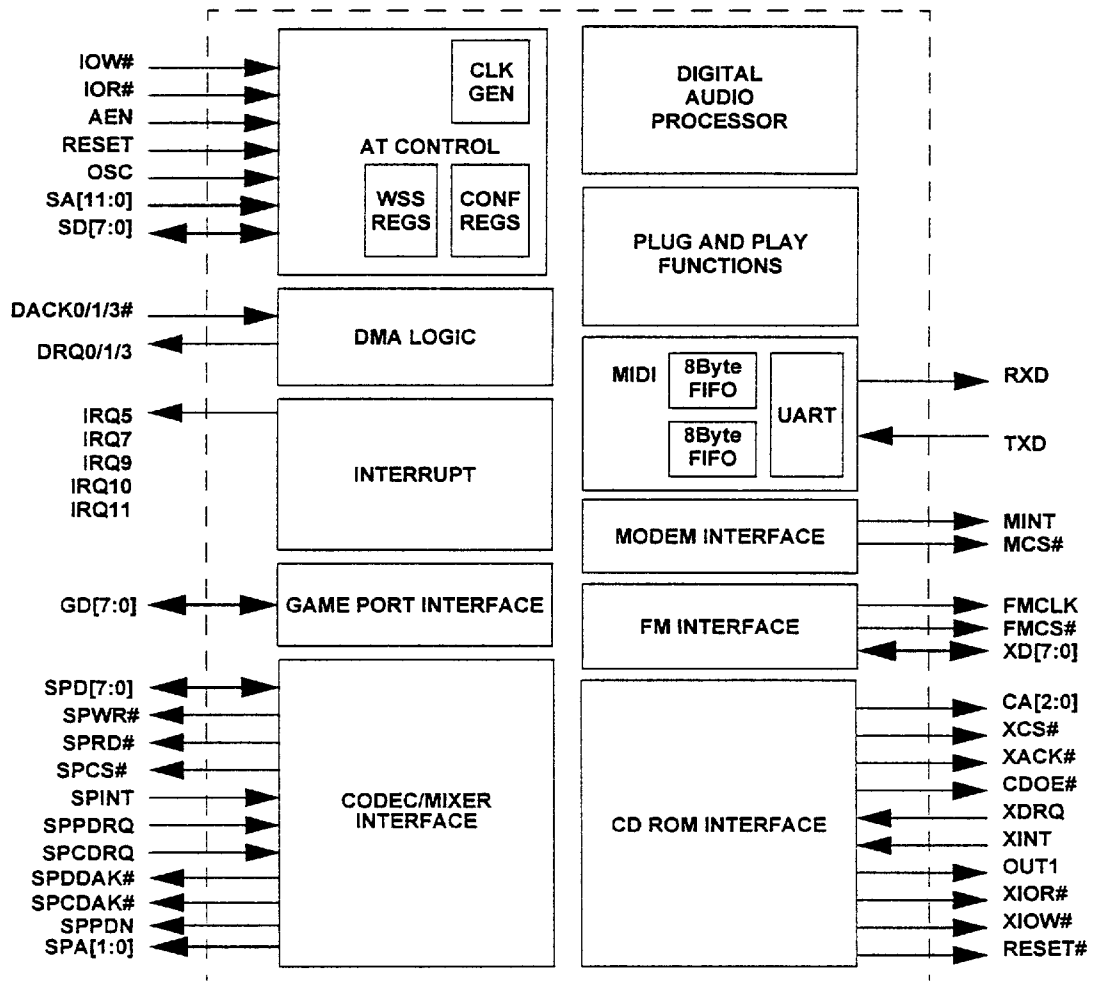
1.0 Overview

The OPTi 82C924 is an integrated digital sound controller for PC sound applications. The 82C924 is compatible with Sound Blaster™ Pro, Ad Lib™, MPU-401, and Microsoft Windows Sound System™.

The 82C924 16-bit Sound Controller provides all of the digital functions and interfaces for the Sound Blaster Pro-compatible and Microsoft Windows Sound System-compatible card. The 82C924 is intended to provide an integrated audio solution for business audio, educational/entertainment sound and multimedia applications.

The 82C924 includes the functions of AT Bus interface, Sound Blaster Pro-compatible Digital Audio Processor, MIDI interface, Windows Sound System interface, FM synthesizer interface, Wave Table Synthesizer interface, Game Port timer, Codec/Mixer interface, as well as interfaces to four different types of CD-ROM drives. All DMA and interrupt selections are software programmable. The 82C924 provides enough driving capabilities for AT-Bus interfaces and eliminates the need for external buffering. There is also a power-down mode for power-conscious system designs.

Figure 1-1 Block Diagram



2.0 Features

- Integrated sound controller compatible with
 - Sound Blaster Pro
 - Ad Lib
 - Microsoft Windows Sound System
- Microsoft Plug and Play compatible
 - Supports eight physical devices
- 8 or 16-bit sound data
 - Sound Blaster 8-bit audio up to 44.1KHz stereo
- Windows 8/16-bit audio up to 48KHz stereo
- Integrated MIDI UART with 8-byte FIFO for both in and out with MPU-401 interface
- Direct OPL2/OPL3/OPL4 interface
- Built-In Game Port Timer
- CD ROM interface for:
 - IDE
 - SONY
 - Mitsumi
 - Panasonic
- All interfaces are software programmable including
 - I/O Address
 - IRQ
 - DRQ
- 18mA drivers for direct AT Bus interface
- Power-down mode
- Silence mode to turn off all audio functions
- Volume control push-button interface
- External Modem chip set interface
- 100 pin package

2.1 Applications

Together with the Yamaha OPL3 FM synthesis chip and a 16-bit Codec, such as Crystal Semiconductor 4231 or Analog Devices 1846, the 82C924 provides the integrated solution for the following applications:

- 16-bit sound quality Sound Blaster and Windows Sound System compatible card
- 20 voice FM synthesis
- 16-bit CD-quality WAVE audio up to 48KHz stereo
- IDE CD ROM interface
- Four types of CD-ROM interface
- Game port
- MPU-401 and Sound Blaster MIDI interface
- OPL4 or other wave table synthesis upgrade

2.2 ISA Plug and Play on 82C924

The OPTi 82C924 supports the ISA Plug and Play (PnP) Specification 1.0a from Intel and Microsoft. After power-up, the 82C924 is isolated from other PnP cards in the host system by the system software. With this mechanism, the I/O address, IRQ and DMA usage of the 82C924 can be configured by the system according to the free resources available. As a result, the chance of getting a resource conflict is minimized.

The PnP function is enabled by pulling pin 55 (SPA1) of the 82C924 to high at power-up. If that pin is not pulled high at power-up, the 82C924 will operate in non-PnP mode.

A PnP configuration sequence is carried out by either the system BIOS supporting PnP or Configuration Manager software of the operating system. It is used to map the various functional blocks (logical devices) within the 82C924 into the host system address space as well as to configure the DMA and IRQ channels. The configuration sequence occurs as follows:

1. The 82C924 is isolated from the system
2. A unique identifier (handle) is programmed into the 82C924 and the resource data is read
3. After the resource requirement and capabilities are determined, the handle is used to assign conflict-free resources by programming the appropriate information into the 82C924 configuration registers a logical device at a time
4. After the configuration registers are programmed, the 82C924 leaves the configuration mode and each logical device is activated individually. The bus interface of each logical device is then enabled.

The 82C924 supports the following logical devices:

- Audio devices: including Sound Blaster Pro, Windows Sound System, and FM synthesis
- Game Port
- MPU-401 MIDI interface
- IDE CD-ROM interface
- Modem interface
- 82C924 Master Control

2.3 Modem Interface

The 82C924 includes the modem as a PnP logical device, as well as interface pins to connect to a modem chipset. When PnP is activated, the 82C924 provides the resource configuration for the modem chipset, such as the I/O address range and interrupt level.

The modem interface pins include pin 35 (MCS#), pin 74 (MINT), pin 42 (IRQ3) and pin 41 (IRQ4). If a modem is con-



nected with the 82C924, the joystick port will provide support for only one joystick.

2.4 Push Button Volume Control

Two of the pins of the joystick interface can be used as volume control push-buttons (pin 36 as volume down, and pin 37 as volume up) so that the speaker volume can be controlled through front panel buttons in desktop or notebook PCs. Appropriate software drivers are needed to enable this feature.

When the volume control feature is enabled, only one joystick will be supported by the joystick port.

2.5 External Serial EEPROM

The OPTi 82C924 has the resource data and serial identifier required by the PnP specification stored internally. If the OEM customer wants to use a different resource data and serial identifier to customize their application, an external EEPROM can be used. To use an external EEPROM, pin 35 has to be pulled low. Then the resource data and serial identifier will be read from the external EEPROM instead of the 82C924 internal storage.

The OPTi 82C924 provides a serial EEPROM interface that is compatible with devices from a number of vendors. A 512-byte EEPROM is sufficient for information required by PnP. Pin 82 of the 82C924 provides the data clock for the EEPROM. Pin 83 provides data to the EEPROM, while pin 84 gets input from the EEPROM.



82C924

3.0 Signal Description

Figure 3-1 Pin Diagram

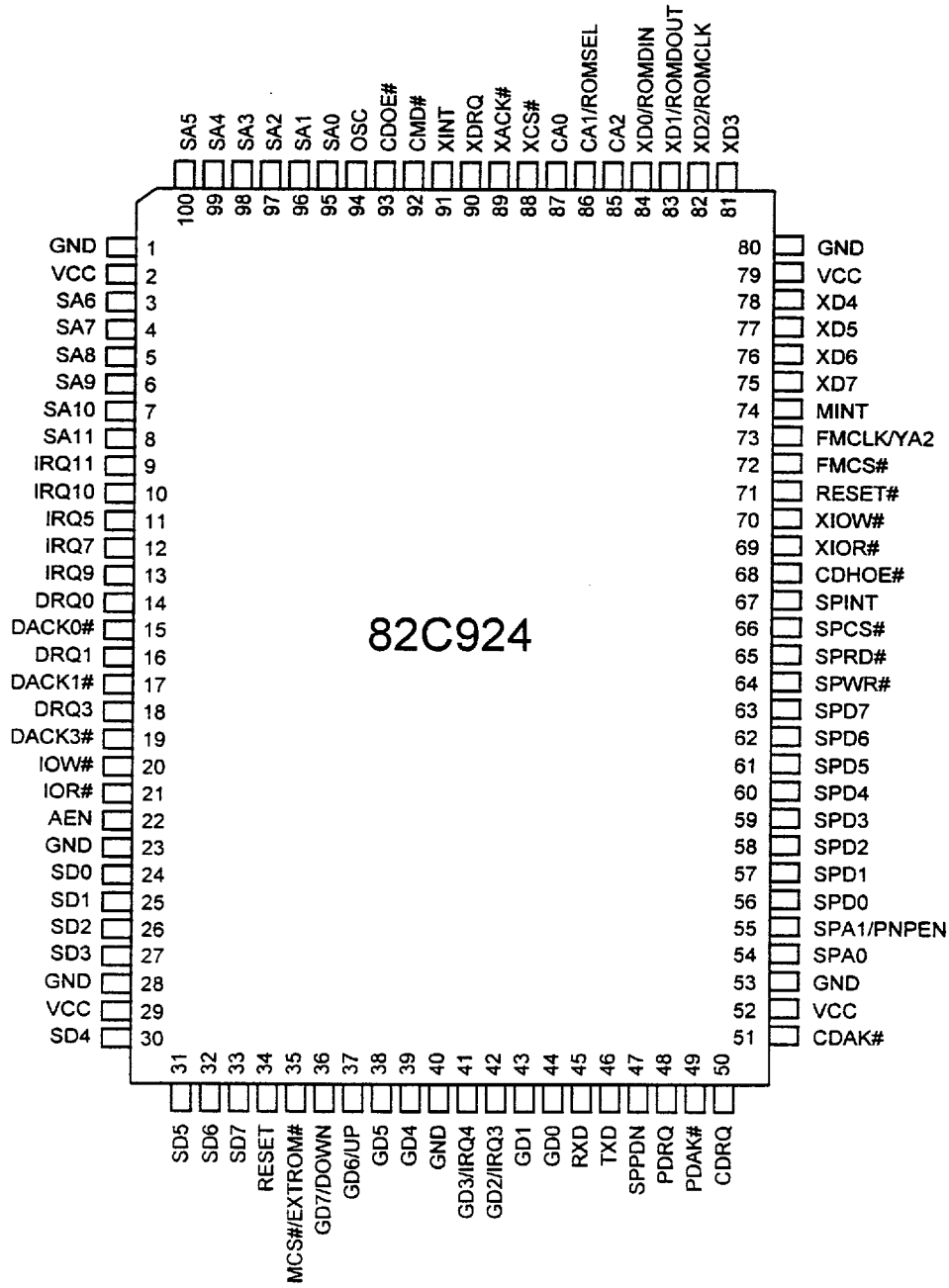


Table 3-1 Numerical Pin List

Pin	Name	Pin	Name	Pin	Name	Pin	Name
1	GND	26	SD2	51	CDAK#	76	XD6
2	VCC	27	SD3	52	VCC	77	XD5
3	SA6	28	GND	53	GND	78	XD4
4	SA7	29	VCC	54	SPA0	79	VCC
5	SA8	30	SD4	55	SPA1/PNPEN	80	GND
6	SA9	31	SD5	56	SPD0	81	XD3
7	SA10	32	SD6	57	SPD1	82	XD2/ROMCLK
8	SA11	33	SD7	58	SPD2	83	XD1/ROMDOUT
9	IRQ11	34	RESET	59	SPD3	84	XD0/ROMDIN
10	IRQ10	35	MCS#/EXTROM#	60	SPD4	85	CA2
11	IRQ5	36	GD7/DOWN	61	SPD5	86	CA1/ROMSEL
12	IRQ7	37	GD6/UP	62	SPD6	87	CA0
13	IRQ9	38	GD5	63	SPD7	88	XCS#
14	DRQ0	39	GD4	64	SPWR#	89	XACK#
15	DACK0#	40	GND	65	SPRD#	90	XDRQ
16	DRQ1	41	GD3/IRQ4	66	SPCS#	91	XINT
17	DACK1#	42	GD2/IRQ3	67	SPINT	92	CMD#
18	DRQ3	43	GD1	68	CDHOE#	93	CDOE#
19	DACK3#	44	GD0	69	XIOR#	94	OSC
20	IOW#	45	RXD	70	XIOW#	95	SA0
21	IOR#	46	TXD	71	RESET#	96	SA1
22	AEN	47	SPPDN	72	FMCS#	97	SA2
23	GND	48	PDRQ	73	FMCLK/YA2	98	SA3
24	SD0	49	PDAK#	74	MINT	99	SA4
25	SD1	50	CDRQ	75	XD7	100	SA5

82C924

Table 3-2 Alphabetical Pin List

Pin	Name	Pin	Name	Pin	Name	Pin	Name
22	AEN	1	GND	99	SA4	62	SPD6
87	CA0	23	GND	100	SA5	63	SPD7
86	CA1/ROMSEL	28	GND	3	SA6	67	SPINT
85	CA2	40	GND	4	SA7	47	SPPDN
51	CAKA#	53	GND	5	SA8	65	SPRD#
68	CDHOE#	80	GND	6	SA9	64	SPWR#
93	CDOE#	21	IOR#	7	SA10	46	TXD
50	CDRQ	20	IOW#	8	SA11	2	VCC
92	CMD#	11	IRQ5	24	SD0	29	VCC
15	DACK0#	12	IRQ7	25	SD1	52	VCC
17	DACK1#	13	IRQ9	26	SD2	79	VCC
19	DACK3#	10	IRQ10	27	SD3	89	XACK#
14	DRQ0	9	IRQ11	30	SD4	88	XCS#
16	DRQ1	35	MCS#/EXTROM#	31	SD5	84	XD0/ROMDIN
18	DRQ3	74	MINT	32	SD6	83	XD1/ROMDOUT
73	FMCLK/YA2	94	OSC	33	SD7	82	XD2/ROMCLK
72	FMCS#	49	PDAK#	54	SPA0	81	XD3
44	GD0	48	PDRQ	55	SPA1/PNPEN	78	XD4
43	GD1	34	RESET	66	SPCS#	77	XD5
42	GD2/IRQ3	71	RESET#	56	SPD0	76	XD6
41	GD3/IRQ4	45	RXD	57	SPD1	75	XD7
39	GD4	95	SA0	58	SPD2	90	XDRQ
38	GD5	96	SA1	59	SPD3	91	XINT
37	GD6/UP	97	SA2	60	SPD4	69	XIOR#
36	GD7/DOWN	98	SA3	61	SPD5	70	XIOW#



3.1 Signal Definition

I = Input
 O = Output
 I/O = Bi-Directional
 T = Tri-State
 OD = Open-Drain

3.1.1 AT Bus Signal (36)

Pin Name	Pin #	I/O	I/O Type	Function	To/From
IOW#	20	I	TTL-Smt 50K Ω pull-up	IO Write Command	AT BUS
IOR#	21	I	TTL-Smt 50K Ω pull-up	IO Read Command	AT BUS
AEN	22	I	TTL-Smt	DMA Address Enable	AT BUS
RESET	34	I	TTL-Smt 50K Ω pull-down	System Reset Input	AT BUS
OSC	94	I	TTL	AT 14.318MHz Clock	AT BUS
SA[11:0]	8-3, 100-95	I	TTL	System Address	AT BUS
SD[7:0]	33-30, 27-24	I/O	TTL/24mA	System Data Bus	AT BUS
DACK0/1/3#	15, 17, 19	I	TTL 50K Ω pull-up	DMA Acknowledge	AT BUS
DRQ0/1/3	14, 16, 18	T	18mA 50K Ω pull-down	8-Bit DMA Request	AT BUS
IRQ5	11	OD	18mA 5K Ω pull-up	Interrupt Request	AT BUS
IRQ7	12	I/O	TTL	IRQ7-11 bidirectional for WSS auto interrupt determination	
IRQ9	13				
IRQ10	10				
IRQ11	9				

3.1.2 MIDI Interface Signal (2)

Pin Name	Pin #	I/O	I/O Type	Function	To/From
RXD	45	I	TTL-Smt	Receive Data	MIDI Port
TXD	46	O	18mA	Transmit Data	MIDI Port

3.1.3 FM Interface Signal (10)

Pin Name	Pin #	I/O	I/O Type	Function	To/From
FMCLK	73	O	4mA	FM Clock Output high during power-down/ OPL4 Address[2]	FM
YA2					



3.1.3 FM Interface Signal (10) (cont.)

Pin Name	Pin #	I/O	I/O Type	Function	To/From
FMCS#	72	O	4mA	FM Chip Select, Asserted for IO address SBBase + 0-3 SBBase + 8-9 388-38B	FM
XD[7:3] XD2/ROMCLK XD1/ROMDOUT XD0/ROMDIN	75-78, 81 82 83 84	I/O	TTL / 4mA 5K Ω pull-up	Local Data Bus	FM

3.1.4 CD ROM Interface Signal (13)

Pin Name	Pin #	I/O	I/O Type	Function	To/From
CA1/ROMSEL	86	O	12mA	CD ROM Address 1	CD ROM
CA0	87	O	12mA	CD ROM Address 0	CD ROM
XCS#	88	O	12mA	CD ROM Chip Select	CD ROM
XACK#	89	I/O	TTL/12mA	CD ROM DAM Acknowledge	CD ROM
XDRQ	90	I	TTL 50K Ω pull-down	CD ROM Request	CD ROM
XINT	91	I	TTL 50K Ω pull-up	CD ROM Interrupt Request	CD ROM
CA2	85	I/O	TTL 12mA	CD ROM Address 2	CD ROM
CMD#	92	O	12mA	Command Output	CD ROM
CDOE#	93	O	4mA	CD data buffer output enable	
CDHOE#	68	O	4mA	CD[15:8] data buffer output enable	
XIOR#	69	O	12mA	Buffered IOR#	CD ROM, FM
XIOW#	70	O	12mA	Buffered IOW#	CD ROM, FM
RESET#	71	O	12mA	Buffered RESET, active low	CD ROM, FM

3.1.5 Game Interface Signal (8)

Pin Name	Pin #	I/O	I/O Type	Function	To/From
GD7/DOWN	36	I/O	4mA	Game Port Data/ Push Button Game Port Data/ Modem Control	
GD6/UP	37	I	TTL		
GD5	38	I	TTL		
GD4	39	I	TTL		
GD3/IRQ4	41	I/O	16mA		
GD2/IRQ3	42	I/O	CMOS		
GD1	43	I/O	Schmitt		
GD0	44	I/O	PU		

3.1.6 Codec/Mixer Signal (19)

Pin Name	Pin #	I/O	I/O Type	Function	To/From
SPA1/PNPEN SPA0	55, 54	I/O	TTL/4mA 50K Ω pull-up	Codec Address Plug and Play Enable	
SPD7-SPD0	63-56	I/O	TTL/4mA 50K Ω pull-up	Codec Data	
SPWR#	64	O	4mA	Codec Write Command	
SPRD#	65	O	4mA	Codec Read Command	
SPCS#	66	O	4mA	Codec Chip Select	
SPINT	67	I	TTL	Codec Interrupt Request	
PDRQ	48	I	TTL	Playback DMA Request	
CDRQ	50	I	TTL	Capture DMA Request	
SPPDN	47	O	4mA	Codec Power-down, active low	
PDAK#	49	O	4mA	Playback DMA Acknowledge	
CDAK#	51	O	4mA	Capture DMA Acknowledge	

3.1.7 Modem Interface

Pin Name	Pin #	I/O	I/O Type	Function	To/From
MCS#/ EXTROM#	35	I/O	TTL/4mA	Modem Chip Select/ Use External ROM	
MINT	74	I	TTL	Modem Interrupt	

3.1.8 Power Pins (10)

Pin Name	Pin #
Vcc	2, 29, 52, 79
GND	1, 23, 28, 40, 53, 80

4.0 Register Description

Table 4-1 Register Map

I/O Address	Description	R/W
SBase + 0 ALBase + 0	Left FM Status Port	R only
SBase + 0 ALBase + 0	Left FM Register Address Port	W only
SBase + 1 ALBase + 1	Left FM Data Port	W only
SBase + 2 ALBase + 2	Right FM Register Address Port	W only
SBase + 3 ALBase + 3	Right FM Data Port	W only
SBase + 4	Mixer Address Port	W only
SBase + 5	Mixer Data Port	R/W
SBase + 6	Digital Audio Processor Software Reset	W only
SBase + 8	FM Status Port	R only
SBase + 8	FM Register Address Port	W only
SBase + 9	FM Data Port	W only
SBase + A	Digital Audio Processor Read Data	R only, Digital Audio Processor AO = 0
SBase + C	Digital Audio Processor Write Data/ Cmd	W only, Digital Audio Processor AO = 1
SBase + C	Digital Audio Processor Write Buffer Status	R only, Digital Audio Processor AO = 1
SBase + E	Digital Audio Processor Output Buffer Status Register	R only, Digital Audio Processor AO = 1
WBase + 0-3	Configuration	W only
WBase + 0-3	Version	R only
WBase + 4	Codec Index Register	R/W, exists in Codec and shadowed in 82C924
WBase + 5	Codec Indexed Data Register	R/W, exists in Codec only
WBase + 6	Codec Status Register	R/W, exists in Codec only
WBase + 7	Codec Direct Data	R/W, exists in Codec only
200-207	Game Port	R/W
CDBase + 0-3	CD ROM Interface Registers	R/W
MCBase + 3 (\$F8F)	Password Register	W only
MCBase + 1 (\$F8D)	MC1	R/W
MCBase + 2 (\$F8E)	MC2	R/W
MCBase + 3 (\$F8F)	MC3	R/W
MCBase + 4 (\$F90)	MC4	R/W



Table 4-1 Register Map (cont.)

I/O Address	Description	R/W
MCBase + 5 (\$F91)	MC5	R/W
MCBase + 6 (\$F92)	MC6	R/W
MCBase + 7 (\$F93)	MC7	R/W
MCBase + 8 (\$F94)	MC Indirect Index	R/W
MCBase + 9 (\$F95)	MC Indirect Data	R/W
MC8	Indirect Register	R/W
MC9	Indirect Register	R
MC10	Indirect Register	R
MC11	Indirect Register	R
MC12	Indirect Register	R
279	PNP Address	W
A79	PNP Write_Data	W
PNPBase	PNP Read_Data	R

4.1 82C924 Register Definition

Mode Control Register 1

Note Password = "E5".

MC1(F8D) R/W with password, MC1[3:0] jumper initialized							
7	6	5	4	3	2	1	0
MOD	PDN	Sound Base[1:0]		CDTYPE[2:0]			GPEN#

- MOD:** Operation Mode
 0 = Sound Blaster compatible mode (default)
 1 = Windows Sound System compatible
- PDN:** Power-down Mode
 0 = Disabled
 1 = Enabled: all internal clocks are stopped and FMCLK is stopped in high level
- Sound Base:** I/O Base Address
 In Windows Sound System mode, MC[5:4] select the I/O base address among four specified addresses
 00: WSBBase = 530 (default)
 01: WSBBase = E80
 10: WSBBase = F40
 11: WSBBase = 604
- CD Type:** Type of CD ROM interface
 000: CD Disabled (default)
 001: SONY 31A
 010: Mitsumi
 011: Panasonic
 100: Secondary IDE
 101: Reserved
 110: Reserved
 111: Chip Test Mode



82C924

GPEN#: Game Port Enable

0: Enable

1: Disable

Default = 00h

Mode Control Register 2

MC2 (F8E) R/W with password							
7	6	5	4	3	2	1	0
CDSEL[1:0]		OPL4	CDIRQ			CDDRQ	

CDSEL: CD ROM Base Address
The base I/O address for the CD ROM interface

00: CD Base = 340h (default)

01: CD Base = 330h

10: CD Base = 360h

11: CD Base = 320h

OPL4: Yamaha OPL4 Synthesis Chip

0 = OPL3 FM synthesis chip is assumed (default)

1 = OPL4 Wave Table synthesis chip is assumed

CDIRQ: CD ROM Interrupt Select

Selects the interrupt channel for the CD ROM interface

000: CD IRQ = disabled (default)

001: CD IRQ = 5

010: CD IRQ = 7

011: CD IRQ = disabled

100: CD IRQ = 9

101: CD IRQ = 10

110: CD IRQ = 11

111: CD IRQ = disabled

CDDRQ: CD ROM DMA Select

00: CD DRQ = 3

01: CD DRQ = 0

10: CD DRQ = 1

11: CD DRQ = disabled (default)

Default = 03h

Mode Control Register 3

MC3 (F8F) R/W with password							
7	6	5	4	3	2	1	0
DAIRQ[1:0]		DADRQ[1:0]		FMAP	DABASE	REV[1]/ WRSROM	REV[0]/ CMDPAS

DAIRQ: Digital Audio Interrupt Request Select for Sound Blaster Mode

00: IRQ = 7

01: IRQ = 10

10: IRQ = 5

11: IRQ = disabled

DADRQ: Digital Audio DMA Channel Select for Sound Blaster Mode

00: DRQ = 1

01: DRQ = 0

10: DRQ = 3

11: DRQ = disabled



FMAP: Frequency Mapping Select for Sound Blaster Mode
 0 = Normal Mode: Frequency is mapped to the nearest frequency using both crystals of the Codec
 1 = Single Mode: Frequency is mapped only to the 16MHz crystal of the Codec

DABASE: DA Base Address
 0 = 220h
 1 = 240h

REV[1]/WRSROM:
 Read: Chip ID high bit
 Write: Enable write to external EPROM

REV[0]/CMDPAS:
 Read: Chip ID low bit
 Write: Enable passing of Sound Blaster command when DRQ is active

Default = F2h

Mode Control Register 4

MC4 (F90)							
7	6	5	4	3	2	1	0
ADPCMEN	GPOUT	ACKSIMEN	PNP MODE#	FMCLK	SILENCE	SBVER	

ADPCMEN: Sound Blaster ADPCM Enable, reserved, must be 1

GPOUT: General Purpose Output

ACKSIMEN: Time Out ACK Enable. Reserved must be 1

PNP MODE#: Reserved
 0 = PNP Mode
 1 = 929 mode for older game compatibility

FMCLK: OPLx Clock Output Enable
 0 = OPL3
 1 = OPL2

SILENCE: Audio Interface Enable
 0 = Enabled
 1 = Disabled

SBVER: Sound Blaster Version
 00: Version 2.1
 01: Version 1.5
 10: Version 3.2
 11: Version 4.4

Default = A2h

Mode Control Register 5

MC5 (F91)							
7	6	5	4	3	2	1	0
AVCEN#	OPL5	SHPASS	SBACCESS	CFIFO	EPEN	CFIX	CDFTOEN

AVCEN#: Automatic Volume Control, active low
 0 = Enable
 1 = Disable

OPL5: OPL5 Address Decoding, reserved
 1 = Select the OPL5 address decoding

SHPASS: Write Protect Internal CODEC Shadow Registers
 0 = Not protected
 1 = Protected



82C924

SBACCESS: Set Codec Access in Sound Blaster Mode
0 = Disabled
1 = Enabled

CFIFO: Set Command FIFO in Sound Blaster Mode, write only

EPEN: Must be 1

CFIX: Enable fix for Crystal 4248/4231 Synchronization Delays
0 = AD 1848
1 = CS4231

CDFTOEN: Must be 1
Default = 2F

Mode Control Register 6 - MIDI Interface

MC6 (F92) Write Only							
7	6	5	4	3	2	1	0
MPU-401	MPU-401 BA		MPU-401 INT		DRQTM EN	AUDIO EN	ATTN EN

MPU-401: Select MPU-401
0 = Disable
1 = Enable

MPU-401 BA: MPU Base Address Select
00 = 330h
01 = 320h
10 = 310h
11 = 300h

MPU-401 INT: Interrupt Select
00 = IRQ9
01 = IRQ10
10 = IRQ5
11 = IRQ7

DRQTM EN: DMA Watch Dog Enable
0 = Disable
1 = Enable

AUDIO EN: 0 = Disable WAVE
1 = Enable WAVE

ATTN EN: Must be 1
Default = 83h

Mode Control Register 7 - Volume

MC7 (F93)							
7	6	5	4	3	2	1	0
VCINT EN	PNP TEST	MC MUTE	ATTN4	ATTN3	ATTN2	ATTN1	ATTN0

VCINT EN: Volume Control Interrupt Enable

PNP TEST: PNP Test Mode

MC MUTE: Mute WAVE Output

ATTN[4:0]: WAVE Volume Adjustment
When WRSROM (MC3[1]) is active, ATTN [2:0] are used to write to external EPROM, as follows:
ATTN0 = ROMDOUT
ATTN1 = SROMCLK
ATTN2 = SROMCS



Mode Control Register 8

MC8 (indirect)							
7	6	5	4	3	2	1	0
Reserved			VCISEL[1:0]		Reserved		

MC8[7:5]: Reserved
 VCISEL[1:0]: Volume Control Interrupt Select
 00 = Disable
 01 = IRQ5
 10 = IRQ10
 11 = IRQ11
 MC8[2:0]: Reserved

Mode Control Register 9

MC9 (indirect) Read Only							
7	6	5	4	3	2	1	0
Reserved		ROMIN	Reserved				

MC9[7:6]: Reserved
 ROMIN: External EEPROM data in.
 MC9[4:0]: Reserved

Mode Control Register 10

MC10 (indirect) Read Only							
7	6	5	4	3	2	1	0
Reserved							

MC10[7:0]: Reserved

Mode Control Register 11

MC11 (indirect) Read Only							
7	6	5	4	3	2	1	0
Reserved							

MC11[7:0]: Reserved

Mode Control Register 12

MC12 (indirect) Read Only							
7	6	5	4	3	2	1	0
IDEEN	BUTUP	BUTDN	BUTMUTE	BUTINT	PNPEN	Reserved	

IDEEN: IDE CD-ROM device enabled
 BUTUP: Volume up button pushed
 BUTDN: Volume down button pushed
 BUTMUTE: Both up and down buttons pushed
 BUTINT: Volume control interrupt pending
 PNPEN: Plug and Play mode enabled
 MC12[1:0]: Reserved

Note Read of MC12 will clear BUTUP, BUTDN, BUTMUTE, and BUTINT.



Mode Control Index Register

MC Indirect Index (F94)							
7	6	5	4	3	2	1	0

Mode Control Indirect Data Register

MC Indirect Data (F95)							
7	6	5	4	3	2	1	0

DAP Registers

Digital Audio Processor Reset (SBBase+C) Write Only							
7	6	5	4	3	2	1	0
"Don't care"							RESET

RESET = '1' will perform a software reset on the Digital Audio Processor at the end of the IO write command. It actually sets a software reset flag. This software reset is terminated by performing another write at this location with RESET = '0'. A system reset will reset the software reset flag and thus terminates the software reset.

Digital Audio Processor Read Data (SBBase+A) Read Only							
7	6	5	4	3	2	1	0
DATA							

This is the data output port of the Digital Audio Processor.

Digital Audio Processor Write Buffer Status (SBBase+C) Read Format							
7	6	5	4	3	2	1	0
IBFULL	(SBBase+A)[6:0]						

IBFULL is '1' when the Digital Audio Processor Input Buffer is full. This flag is set when the host CPU writes data in the input data bus buffer and cleared when the data is read by the internal Digital Audio Processor.

Digital Audio Processor Data/Command Register (SBBase+C) Write Format							
7	6	5	4	3	2	1	0
Command/Data							

This is the data/command write port for the Digital Audio Processor.

Digital Audio Processor Output Buffer Status (SBBase+E) Read Only							
7	6	5	4	3	2	1	0
OBFULL	Output Buffer [6:0]						

OBFULL = 1 when the Digital Audio Processor Output Buffer is full. This flag is set in the Digital Audio Processor when data is written in the output data bus buffer and cleared when the host CPU or the DMA controller reads the data in the output data bus buffer.

Reading this register will also clear the Digital Audio Processor interrupt request.



WSS Configuration Register

WSBase+0-3 Write Only							
7	6	5	4	3	2	1	0
Reserved	ISS	WSIRQ			WSDRQ		

- ISS: IRQ Sense Source
0 = Normal
1 = Auto-Interrupt Selection
- WSIRQ: IRQ Select
000 = Disabled
001 = IRQ7
010 = IRQ9
011 = IRQ10
100 = IRQ11
101, 110, 111 = Reserved
- WSDRQ: DMA Request Select

	Playback	Capture
000	Disabled	Disabled
001	DRQ0	Disabled
010	DRQ1	Disabled
011	DRQ3	Disabled
100	Disabled	DRQ1
101	DRQ0	DRQ1
110	DRQ1	DRQ0
111	DRQ3	DRQ0

WSS Version Register

WSBase+0-3 Read Only							
7	6	5	4	3	2	1	0
CHANNEL	IRQSENSE	VERSION					

- CHANNEL: Channel Available
0 = DRQ0/1/3 and IRQ7/9/10/11 available
1 = DRQ1/3 and IRQ7/9 available
- IRQSENSE: 0 = No interrupt
1 = WSS interrupt active
- VERSION: 04h



5.0 Electrical Specification

5.1 Absolute Maximum Ratings

Sym.	Description	Min	Max	Units
VDD	Supply Voltage	-0.5	6.5	V
VI	Input Voltage	-0.5	VDD + 0.5	V
VO	Output Voltage	-0.5	VDD + 0.5	V
TSTG	Storage Temperature	-40	125	°C
	Power Dissipation	TBD	TBD	V

5.2 Recommended DC Operating Conditions

Sym.	Description	Min	Max	Units
VDD	Supply Voltage	4.5	5.5	V
AVD	Supply Voltage	4.75	5.25	V
TOP	Operating Temperature	0	70	°C

5.3 General Specification (VDD = 5.0V)

Sym.	Description	Condition	Min	Typ.	Max	Units
IIL	Low Level Input Current	VIN = VSS	-10		+10	uA
IiH	High Level Input Current	VIN = VDD	-10		+10	uA
IOZ	Tri-State Output Leakage Current	VOUT = 0/VDD	-10		+10	uA
V-	Schmitt Negative Threshold	TTL-STATIC CMOS-STATIC	0.8 1.5		1.3 2.5	V
V+	Schmitt Positive Threshold	TTL-STATIC CMOS-STATIC	1.4 2.5		2.1 3.5	V
VH	Schmitt Hysteresis	TTL-STATIC CMOS-static		0.6 1.0		V
VIL	low Level Input Voltage	TTL-STATIC			0.8	V
VIH	High Level Input Voltage	TTL-STATIC	2.0			V
VOL	Low Level Output Voltage	TTL-STATIC			0.4	V
VOH	High Level Output Voltage	TTL-STATIC	2.4			V
RPD	Pull-Down Resistance	VIN = VDD	50		200	KΩ
RPU	Pull-Up Resistance	VIN = VSS	50		200	KΩ
CIN	Input Capacitance	FREQ = 1MHZ @ 0V			5	pF
COUT	Output Capacitance	FREQ = 1MHZ @ 0V			5	pF
CIO	Bi-Directional Capacitance	FREQ = 1MHZ @ 0V			5	pF
IOS	Short Circuit Output Current	VOUT = 0V		2	25	mA
IKLU	I/O Latch-Up Current	V < VSS, V > VDD	100			mA
VESD	Electrostatic Protection	C = 100PF, R = 1.5KΩ	2000			V



5.4 Timing Parameters

5.4.1 AT Bus Timing

Description	Sym	Min	Max	Units
OSC (14.318 MHz) Frequency	TOSCP	14.000	14.500	MHz
OSC High Width	TOSCH	32	40	ns
OSC Low Width	TOSCL	32	40	ns
RESET to RST#	TRST	40	80	ns
IOR#/IOW# Command Width	TCMDW	120		ns
Write Data Setup to IOW# Rising	TWDSU	30		ns
Write Data Hold from IOW# Rising	TWDHD	15		ns
Read Access Time	TRAC	20	50	ns
Address Setup to IOR#/IOW# Falling	TASU	50		ns
Address Hold from IOR#/IOW# Rising	TAHD	30		ns
DACK# Setup to IOR#/IOW# Falling	TDKSU	40		ns
DACK# Hold from IOR#/IOW# Rising	TDKHD	160		ns
SD Hold from IOR# Rising	TDHR	0	20	ns
DRQ Hold from IOR#/IOW# Falling	TDHRD	0	25	ns

5.4.2 CD ROM/FM/Game Port Interface Timing

Description	Sym	Min	Max	Units
SA to CA Delay	TCA	3	20	ns
SA to XCS#/FMCS#/MIXCS#	TXCS	5	20	ns
SD to XD Delay	TXD	5	30	ns
XD to SD Delay	TXSD	5	30	ns
XD Read Data Hold	TXDH	5		ns
IOR#/IOW# to XIOR#/XIOW# Delay IOR#/IOW# to GPR#/GPW# Delay	TCMDD	3	20	ns
IOW# to XD Enable Delay	TXDE	5	20	ns
XDRQ to DRQ# Delay	TDRQ	5	20	ns
DACK# to XDAK# Delay	TXDAK	5	20	ns

5.4.3 AD1848 Interface Timing

Description	Sym	Min	Max	Units
SA to SPCS# Delay	TSPCS	5	20	ns
SD to SPD Delay	TSPD	5	25	ns
SPD to SD Delay	TSPSD	5	20	ns
SPD Read Data Hold	TSPDH	5		ns
IOR#/IOW# to SPR#/SPW# Delay	TSPW	3	20	ns
IOW# to SPD Enable Delay	TSPDE	5	20	ns



5.4.3 AD1848 Interface Timing (cont.)

Description	Sym	Min	Max	Units
IOW# rising to SPD Disable Delay	TSPDN	10	40	ns
DACK# to PDAK#/CDAK# Delay	TXDAK	5	20	ns

5.5 DC Electrical Characteristics

Description	Sym	Min	Max	Units	Conditions
Operating Supply Voltage	Vcc	4.5	5.5	V	
High Level Input Voltage	V _{IH}	2.4	V _{CC} + 0.3	V	V _{CC} = min
High Level Input Voltage for RESET	V _{IHa}	3.5	V _{CC} + 0.3	V	V _{CC} = min
Low Level Input Voltage	V _{IL}	-0.3	0.8	V	V _{CC} = max
High Level Output Voltage	V _{OH}	V _{CC} -0.5	V _{CC}	V	I _{OH} = -4mA V _{CC} = max
Low Level Output Voltage	V _{OL}		0.2	V	I _{OL} = 4mA V _{CC} = min
Input Leakage Current	I _{IL}		10	uA	V _{CC} = max
Input Leakage Current with 5K pull-up resistor	I _{ILa}	-100	-500	uA	V _{IN} = 0V
Input Leakage Current with 50K pull-up resistor	I _{ILb}	-10	-50	uA	V _{IN} = 0V
Output Leakage Current	I _{OL}		10	uA	V _{CC} = max
Static or Power-down Mode Current	I _{PD}		300	uA	V _{CC} = max

5.6 Absolute Maximum Ratings

Description	Sym	Min	Max	Units	Conditions
Supply Voltage	V _{CC}	-0.3	7.0	V	
Storage Temperature	T _S	-65	+125	C	
Ambient Operating Temperature	T _a	-45	+85	C	

5.7 Timing Characteristics

Figure 5-1 Register/CD/FM/Mixer/Sound Port IO Read Cycle

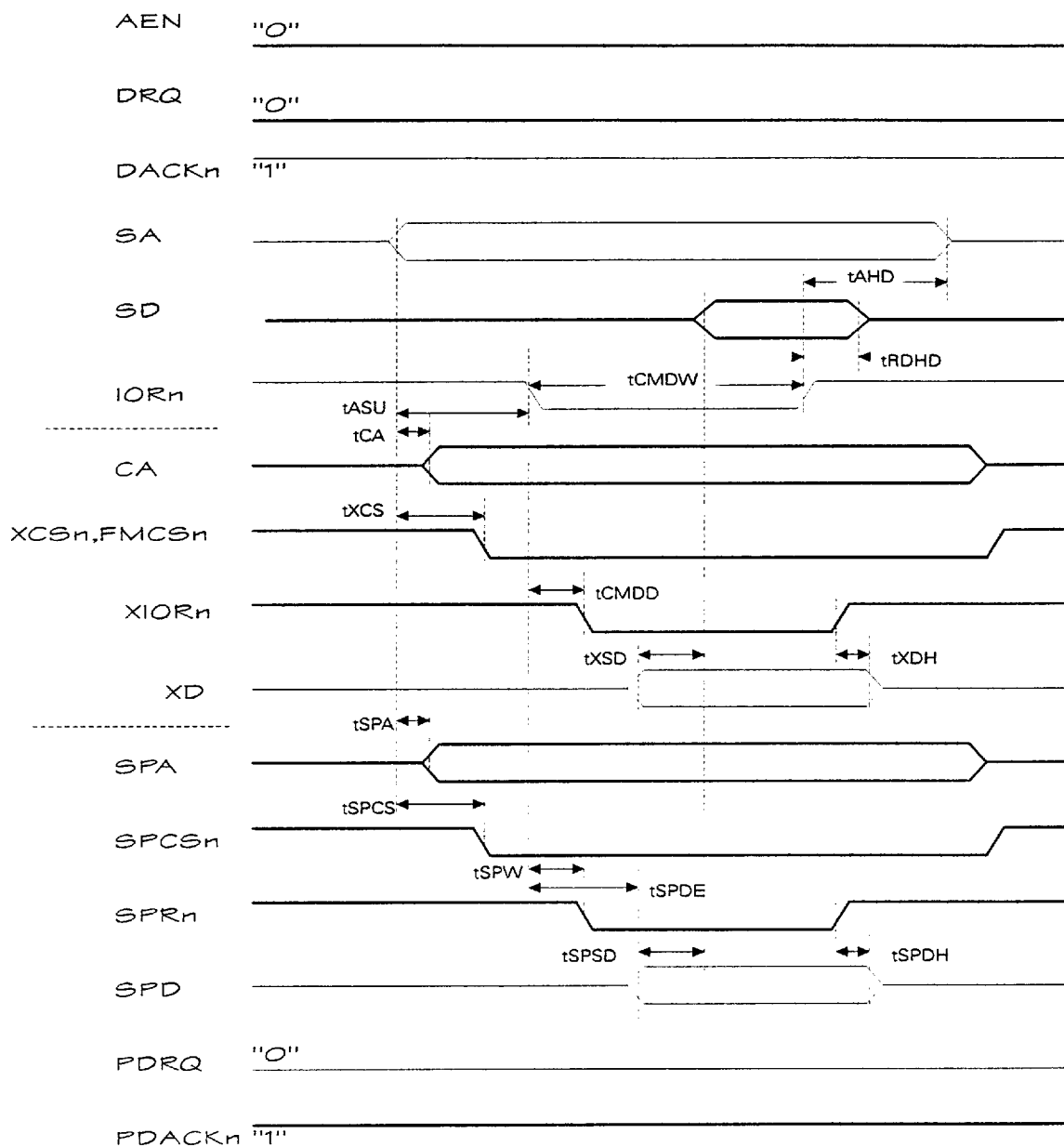


Figure 5-2 DMA Write/Playback Cycle

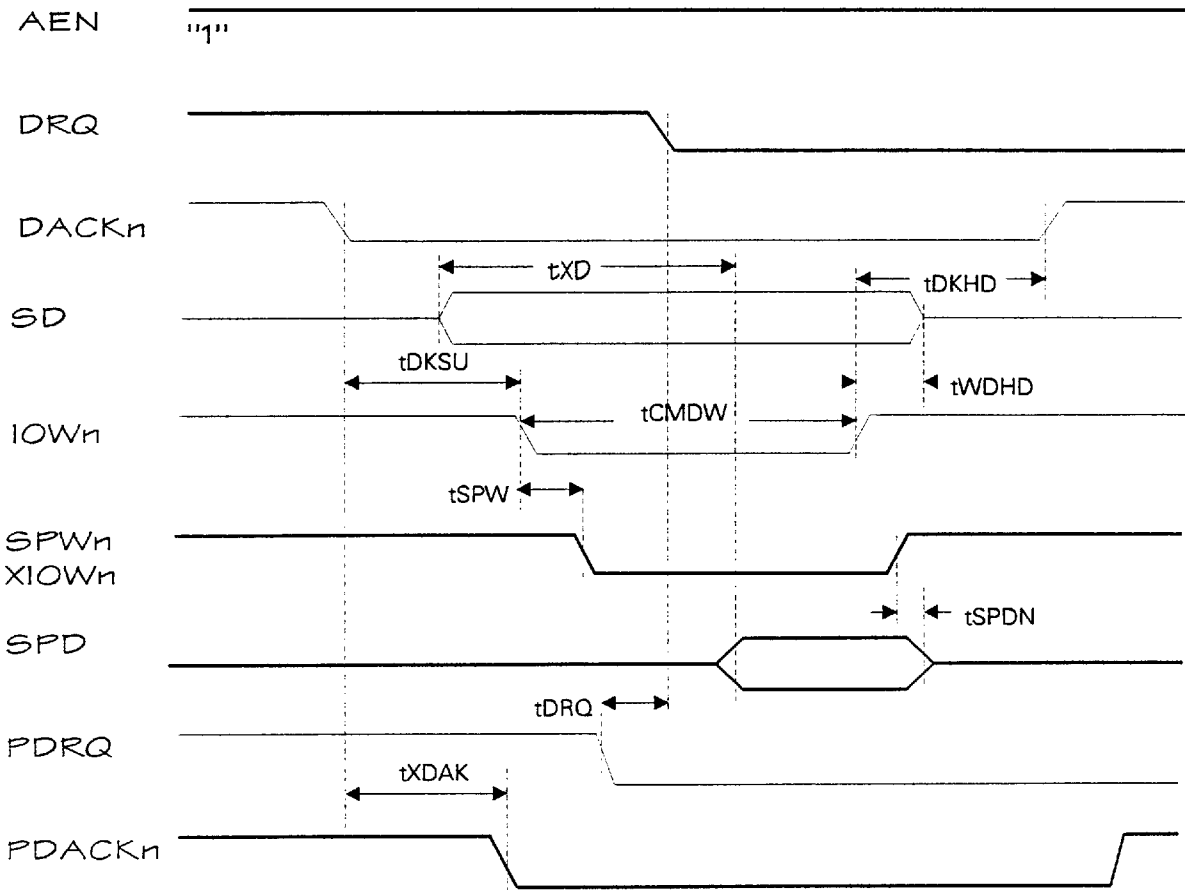


Figure 5-3 DMA Read/Capture Cycle

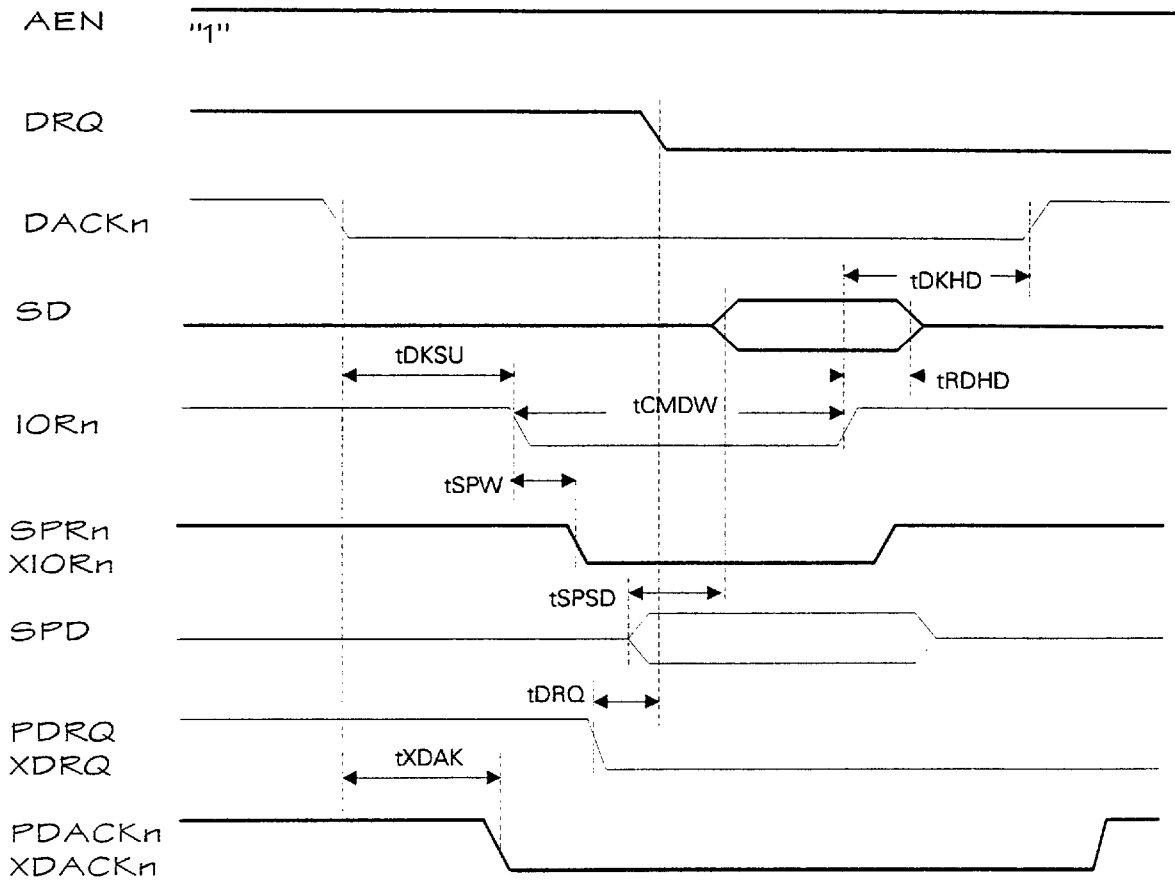
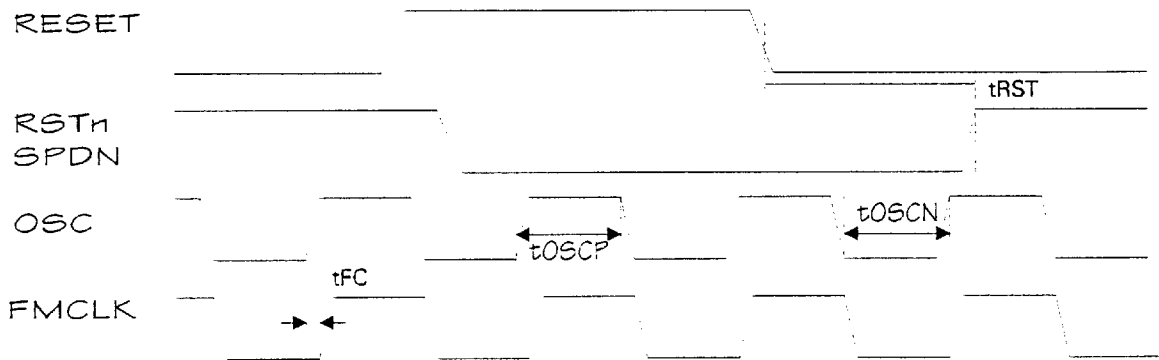
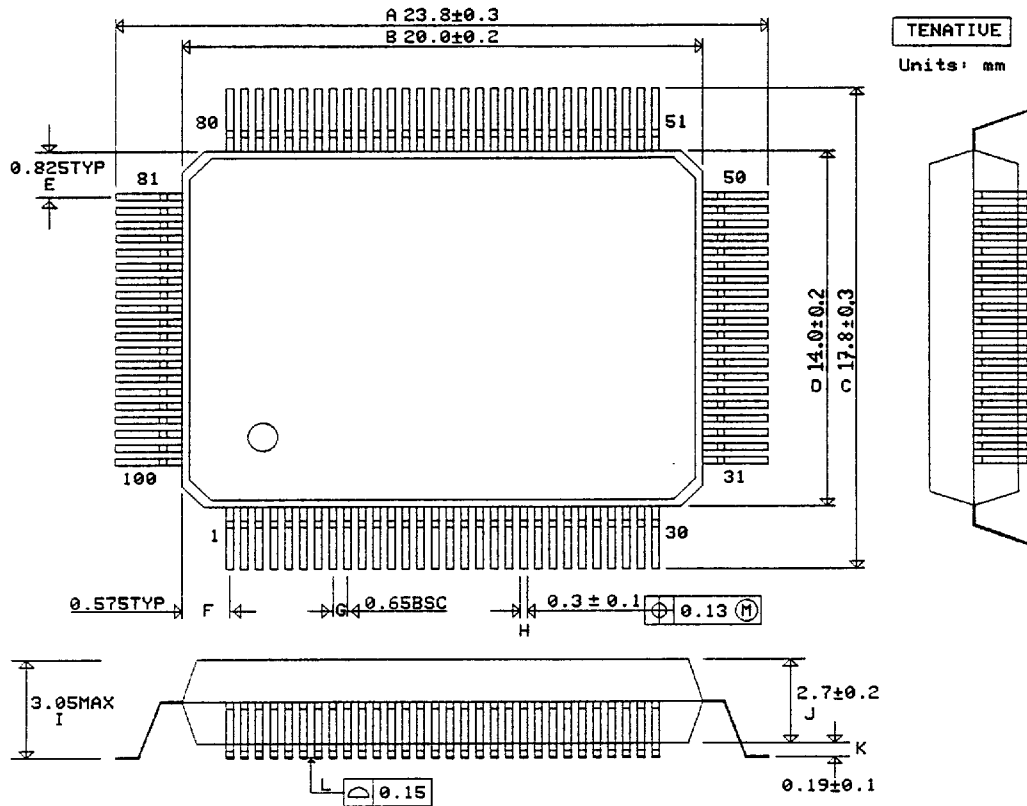


Figure 5-4 RESET and CLK Timing



6.0 Mechanical Package



DIM	MILLIMETERS		INCHES		DESCRIPTION
	MIN	MAX	MIN	MAX	
A	23.5	24.1	.925"	.949"	Maximum Width LEAD TO LEAD
B	19.8	20.2	.779"	.795"	Maximum Width PACKAGE ENVELOPE
C	17.5	18.1	.689"	.713"	Maximum Height LEAD TO LEAD
D	13.8	14.2	.543"	.559"	Maximum Height PACKAGE ENVELOPE
E	0.825 TYP		.0325" TYP		LEAD CENTER TO PERP. LEAD PLANE
F	0.575 TYP		.0226" TYP		LEAD CENTER TO PERP. LEAD PLANE
G	0.65 BSC		.0256" BSC		LEAD TO LEAD CENTER SPACING
H	0.2	0.4	.008"	.016"	LEAD WIDTH
I	—	3.05	—	.120"	PACKAGE HEIGHT LEAD PLANE TO TOP
J	2.5	2.9	.098"	.114"	MAXIMUM THICKNESS PACKAGE ENVELOPE
K	0.09	0.29	.0035"	.0114"	LEAD PLANE TO PACKAGE BOTTOM
L	—	0.15	—	.006"	LEAD PLANE SKEW
M	0.1	0.25	.004"	.010"	LEAD THICKNESS
N	0.6	1.0	.024"	.039"	LEAD FOOTPRINT

