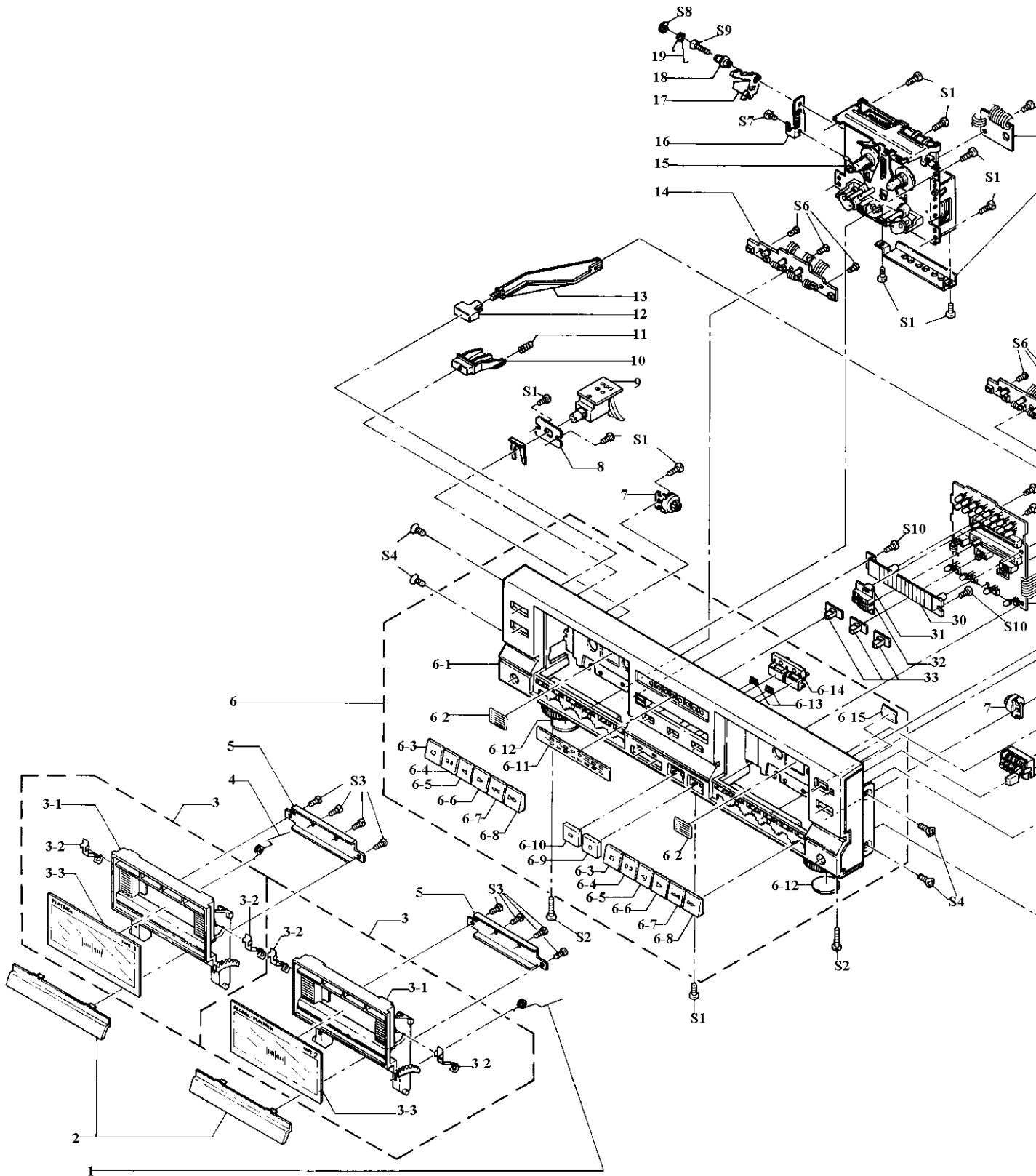


SCT-37 STEREO CASSETTE DECK
CABINET SHEET # 1 (140-0659)
FAXBACK DOC # 10993



**SCT-37 STEREO CASSETTE DECK
CABINET SHEET # 2 (140-0659)
FAXBACK DOC # 10993**

