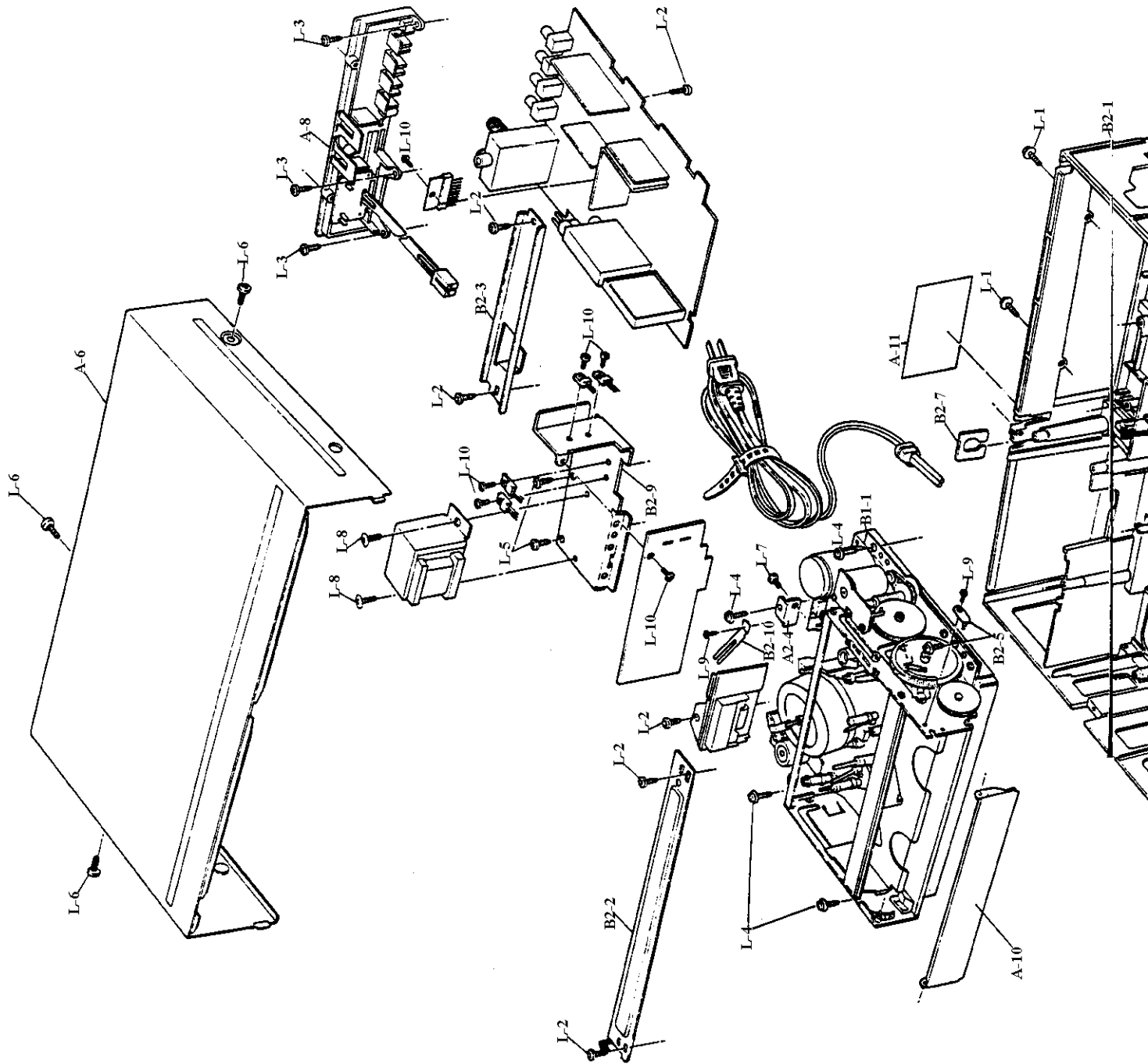


**MODEL 19 VIDEO CASSETTE
RECORDER WITH INFRARED
REMOTE CONTROL CABINET
SHEET # 1 (160-0508)
FAXBACK DOC # 10673**



MODEL 19 VIDEO CASSETTE
RECORDER WITH INFRARED
REMOTE CONTROL CABINET
SHEET # 2 (160-0508)
FAXBACK DOC # 10673

