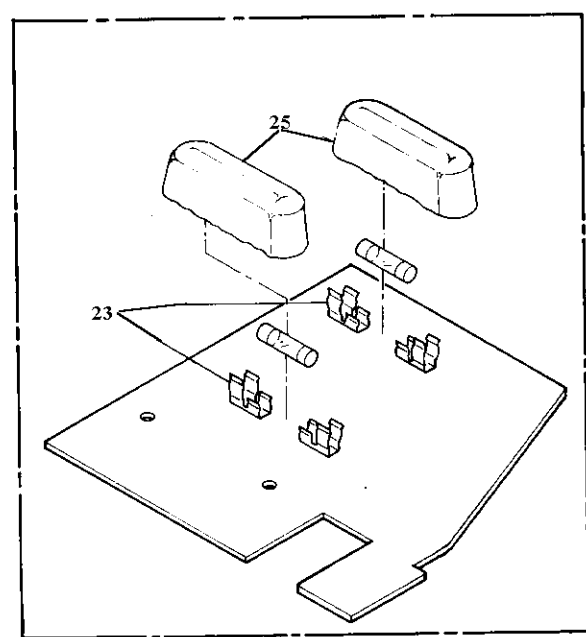
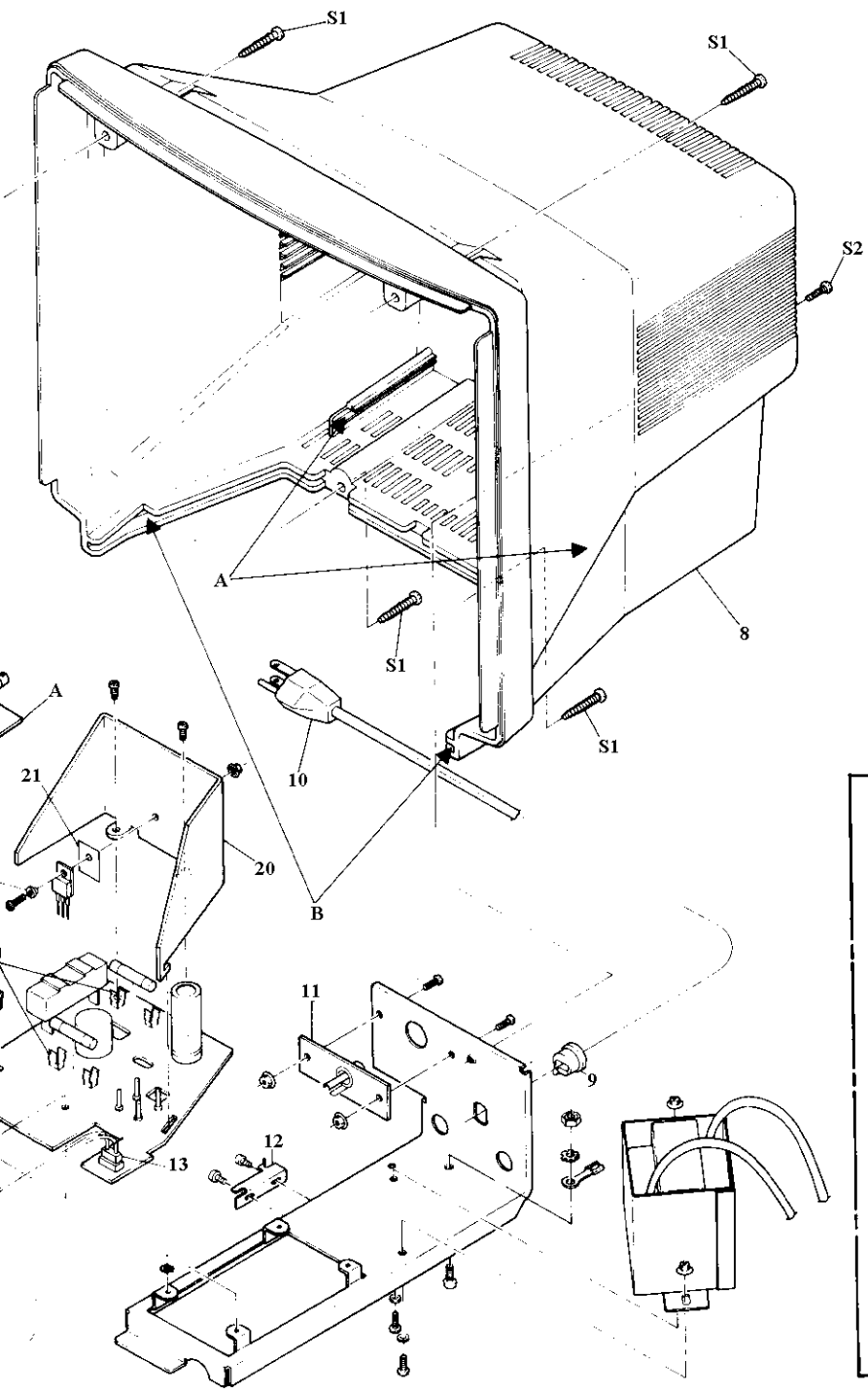


**VM-4 MONOCHROME MONITOR**  
**SHEET #2 (250-1020)**  
**FAXBACK DOC # 10372**



**CONTINUED ON**  
**SHEET # 1**