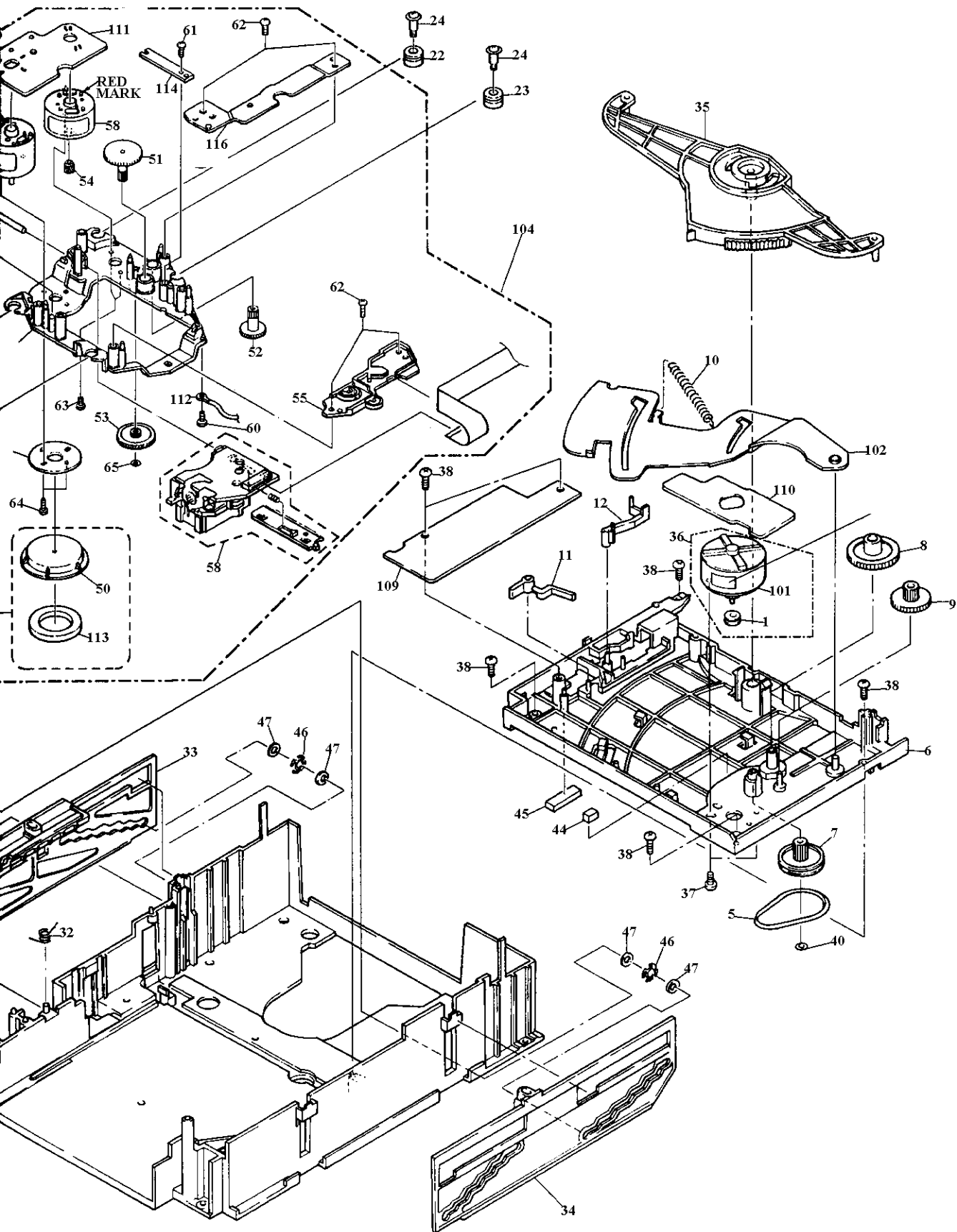




MODEL CD-7105 COMPACT DISC  
AUTOMATIC CHANGER SHEET # 2 (42-5041)  
FAXBACK DOC # 10106



CONTINUED ON  
SHEET # 1