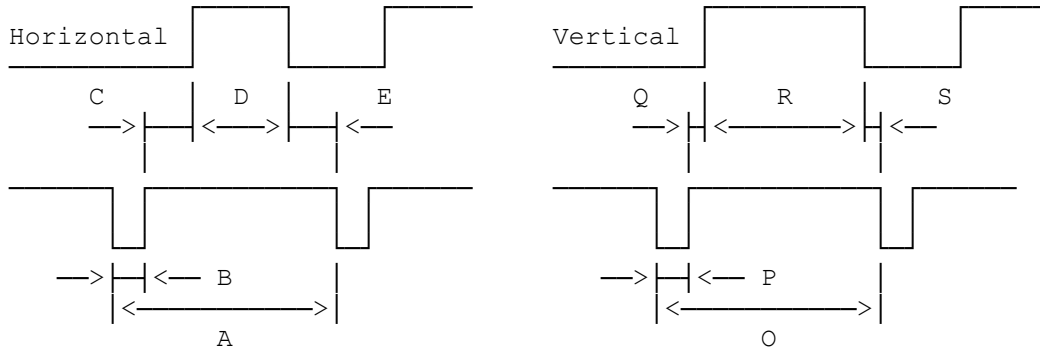


Factory Preset Signal Timing Chart:



Mode	VGA & MCGA Compatible			8514A & XVGA	Ergonomic or European VGA	
	VGA1 640x350	VGA2 720x400	VGA3 640x480		VGA1 640x350	VGA2 720x400
Timing						
fh (kHz)	31.468	31.468	31.468	35.520	37.500	37.500
A $\mu$ Sec	31.778	31.778	31.778	28.150	26.667	26.667
B $\mu$ Sec	3.813	3.813	3.813	3.920	1.282	1.282
C $\mu$ Sec	1.589	1.589	1.589	1.250	4.103	4.103
D $\mu$ Sec	26.058	26.058	26.058	22.800	20.513	20.513
E $\mu$ Sec	0.318	0.318	.0138	0.180	0.769	0.769
fv (Hz)	70.080	70.080	59.940	86.960	83.333	83.333
O mSec	14.268	14.268	16.683	11.500	12.000	12.000
P mSec	0.064	0.064	0.064	0.113	0.080	0.080
Q mSec	1.716	0.890	0.794	0.563	1.653	1.013
R mSec	11.504	13.156	15.762	10.810	9.333	10.667
S mSec	0.985	0.159	0.064	0.014	0.933	0.240
Clock Freq. MHz	25.175	28.322	25.175	44.912	31.200	35.100
Polarity Horiz. Vert.	Positive Negative	Negative Positive	Negative Negative	Positive Positive	Positive Negative	Negative Positive
Remark				Interlaced		

Mode	Vesa					Samsung
	VGA/ 72 Hz	SVGA/ 56 Hz	SVGA/ 72 Hz	EVGA/ 60 Hz	EVGA/ 70 Hz	
Timing	640x480	800x600	800x600	1024x768	1024x768	S.1280/ 60 Hz
fh (kHz)	37.860	35.156	48.077	48.363	56.476	63.702

A $\mu$ Sec	26.413	28.444	20.800	20.677	17.701	15.698
B $\mu$ Sec	1.270	2.000	2.400	2.092	1.813	1.359
C $\mu$ Sec	4.603	3.556	1.280	2.462	1.920	1.811
D $\mu$ Sec	20.317	22.222	16.000	15.754	13.653	12.075
E $\mu$ Sec	0.762	0.667	1.120	0.369	0.320	0.453
fv (Hz)	72.809	56.250	72.187	60.000	70.069	60.100
O mSec	13.735	17.778	13.853	16.667	14.272	16.640
P mSec	0.079	0.057	0.125	0.124	0.106	0.047
Q mSec	0.740	0.626	0.478	0.600	0.513	0.471
R mSec	12.678	17.067	12.480	15.880	13.599	16.075
S mSec	0.238	0.028	0.770	0.062	0.053	0.047
Clock Freq.MHz	31.500	36.000	50.000	65.000	75.000	106.000
Polarity Horiz.	Negative	Pos/Neg	Positive	Negative	Negative	Negative
Vert.	Negative	Pos/Neg	Positive	Negative	Negative	Negative
Remark						Separate Composite Sync on green

(rjs-06/23/93)