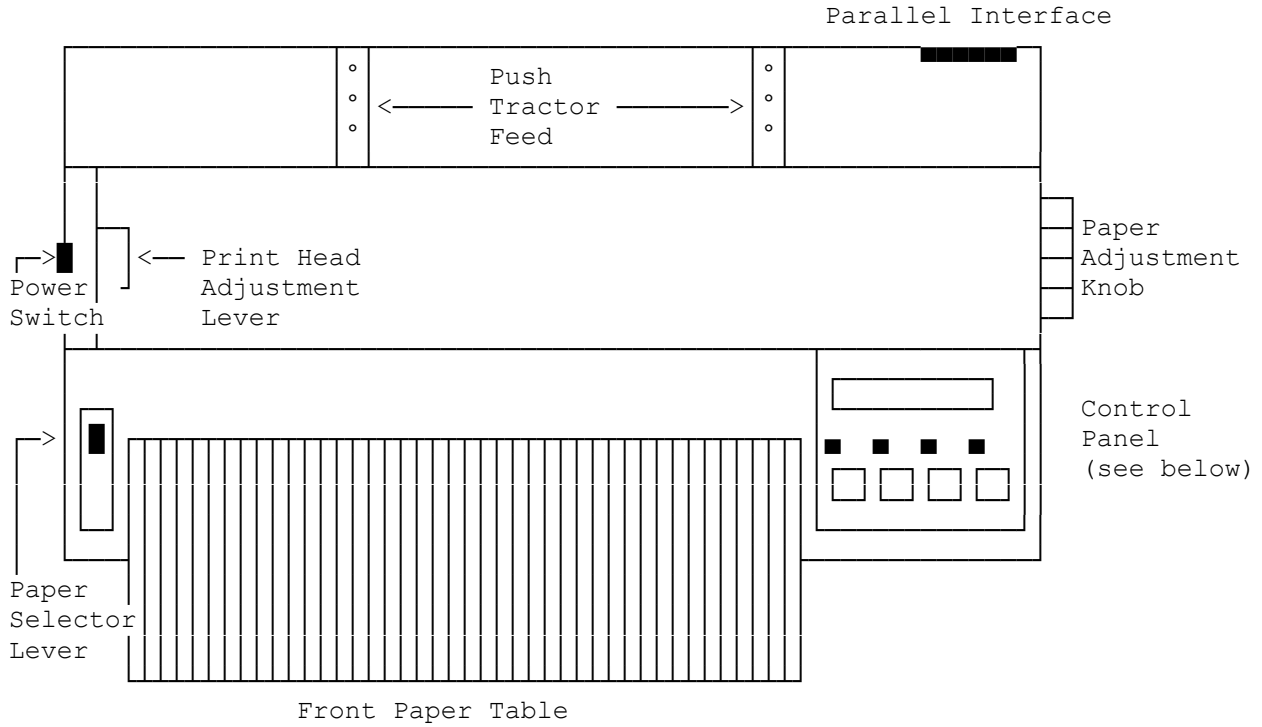
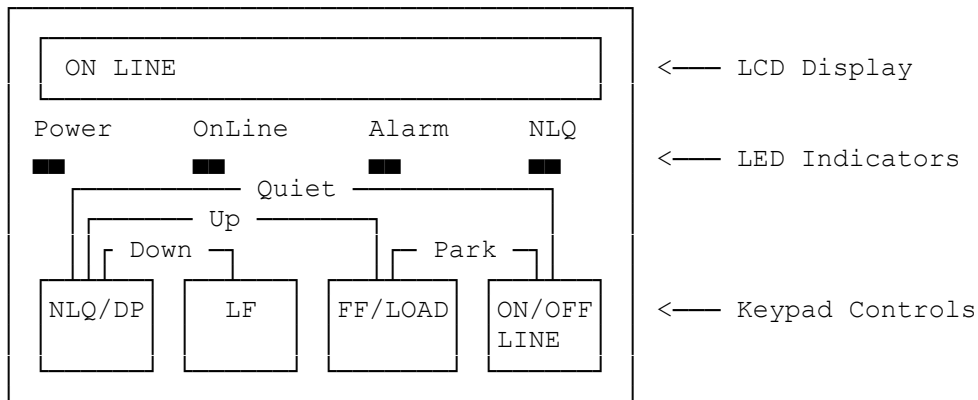


Layout of Printer Controls:



Control Panel:



Paper Selector Lever:

Note: There are three positions on the paper selector lever.

- Free (toward the back): Set to this position to correct a paper jam.
- Tractor (center position): Set to this position when using fanfold paper.
- Friction (toward the front): Set to this position when using single-sheet paper.

Power Switch:

Rock the switch backward to turn on the printer. Rock the switch forward to

turn off the printer.

Control Panel:

The control panel has four keypad controls, four LED lights, and one liquid crystal display (LCD). Faxback Document #4206 will provide specific instructions on using the control panel.

Paper Adjustment Knob:

Used to make adjustments to the print start position. Clockwise to advance the paper, counterclockwise to retract the paper.

Print Head Adjustment Lever:

Used to change the distance between the print head and platen. Downward to decrease the distance, upward to increase the distance. Faxback Document # 4210 will provide a more detailed use of the print head adjustment lever.

(dtc-07/26/93)