

# IBM

## Netfinity 3000 Hard Disk Drive-Installation Instructions

---

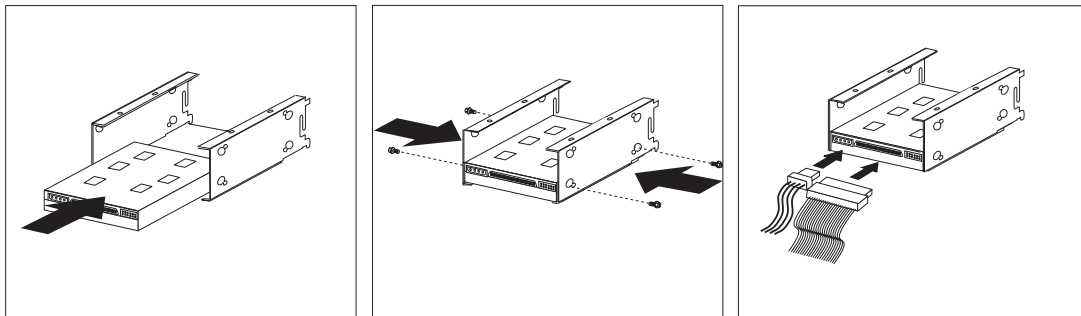
This information is being provided to ensure proper installation of hard disk drives in bays 5 and 6. This information replaces the hard disk drive-installation instructions in the **Working with Drives in Bays 5 and 6** section of your Netfinity 3000 *User's Handbook*.

**If you are installing a hard disk drive in bay 5 or 6, use the following procedure.**

1. Review the **Safety Information** and **Installing Options** sections of your Netfinity 3000 *User's Handbook*.
2. If there is a hard disk drive in bay 5 or 6, disconnect the cable from the drive in that bay.
3. Remove the rear (lower) drive cage as described in the **Installing or Removing Internal Drives** section of your Netfinity 3000 *User's Handbook*.
4. When you are installing a drive, turn the drive upside down and slide it into the desired bay. This ensures that the drive connectors will properly align with and attach to the cable connectors. Secure the drive with the screws. See the illustration below.

**Note:** When using the rubber grommets (washers) to attach the drive to the rear drive cage, you must use the screws provided in the tray in bay 2.

5. Reinstall the rear drive cage as described in your Netfinity 3000 *User's Handbook*.
6. Attach the cables to the drive.



For future reference, store this *Technical Update* with your server manuals.

**01K7733**

Printed in the U.S.A.

**Copyright International Business Machines Corporation 1998. All rights reserved.**

Note to U.S. Government Users — Documentation related to restricted rights — Use, duplication or disclosure is subject to restrictions set forth in GSA ADP Schedule Contract with IBM Corp.

IBM reserves the right to change specifications or other product information without notice. This publication could include technical inaccuracies or typographical errors. References herein to IBM products and services do not imply that IBM intends to make them available in other countries. IBM PROVIDES THIS PUBLICATION AS IS WITHOUT WARRANTY OF ANY KIND, EITHER EXPRESS OR IMPLIED, INCLUDING THE IMPLIED WARRANTIES OF MERCHANTABILITY OR FITNESS FOR A PARTICULAR PURPOSE. Some jurisdictions do not allow disclaimer of express or implied warranties, therefore this disclaimer may not apply to you.